



2301 E. Vernon Ave.
Vernon, CA 90058
866.443.7258
323.908.5430

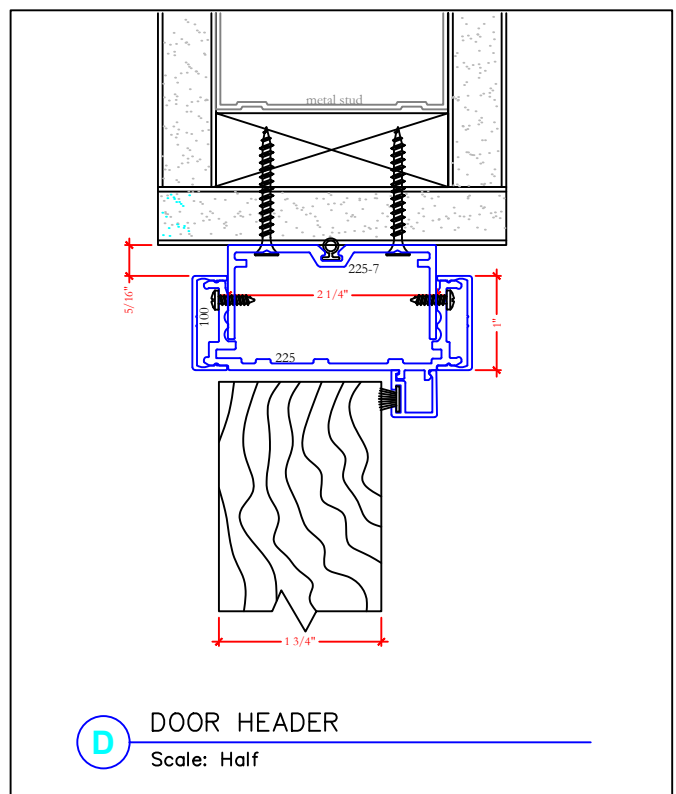
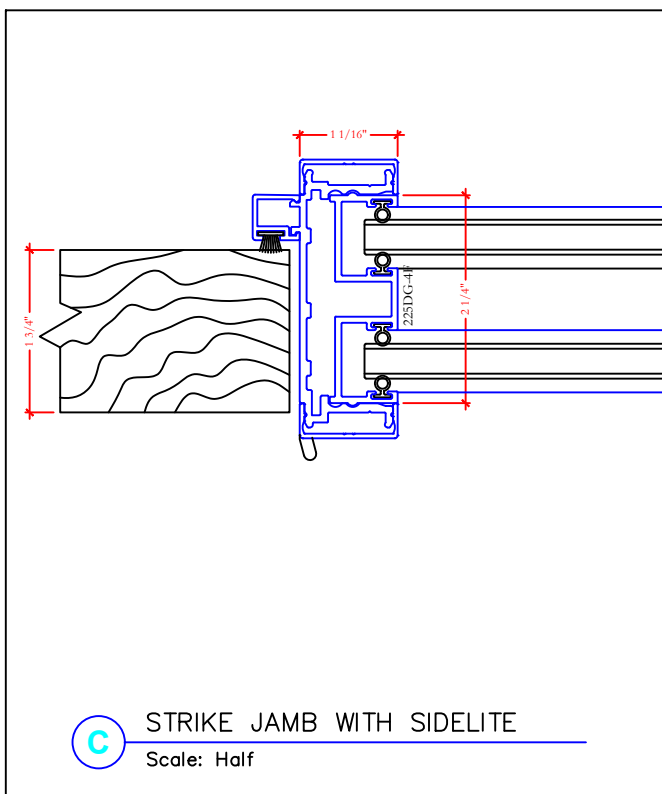
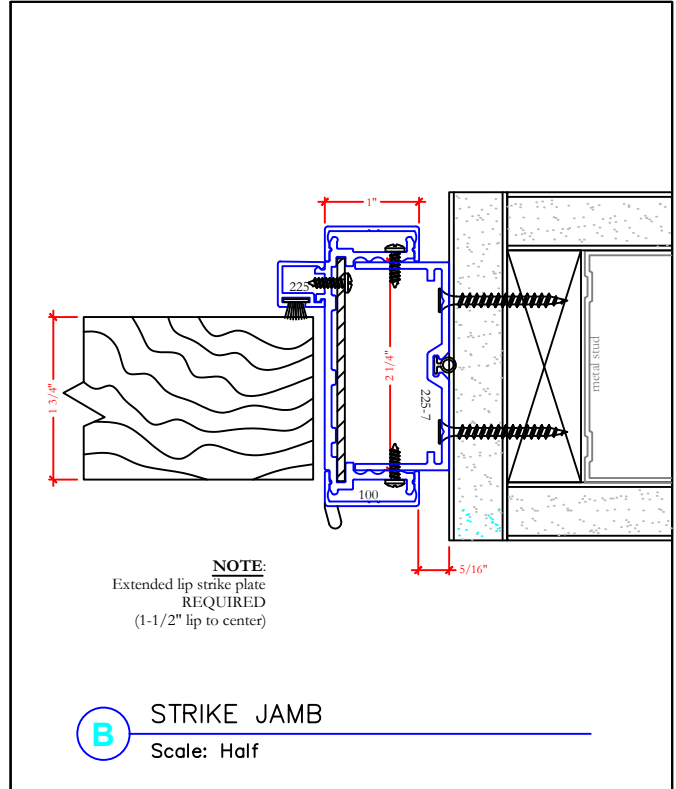
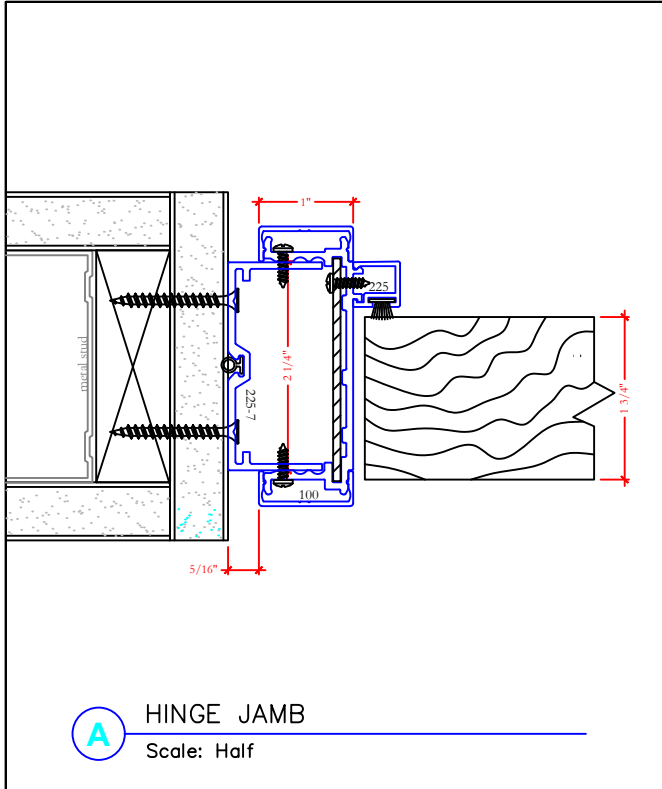
7601 Ambassador Row
Suite 102
Dallas, TX 75247
214.295.2165

7505 Bluff Point Dr.
Suite 100
Houston, TX 77086
713.405.3354

110 Viaduct Rd
Stamford, CT 06907
203.316.8033

www.wilsonpart.com

DEMOUNTABLE - SERIES 225





2301 E. Vernon Ave.
Vernon, CA 90058
866.443.7258
323.908.5430

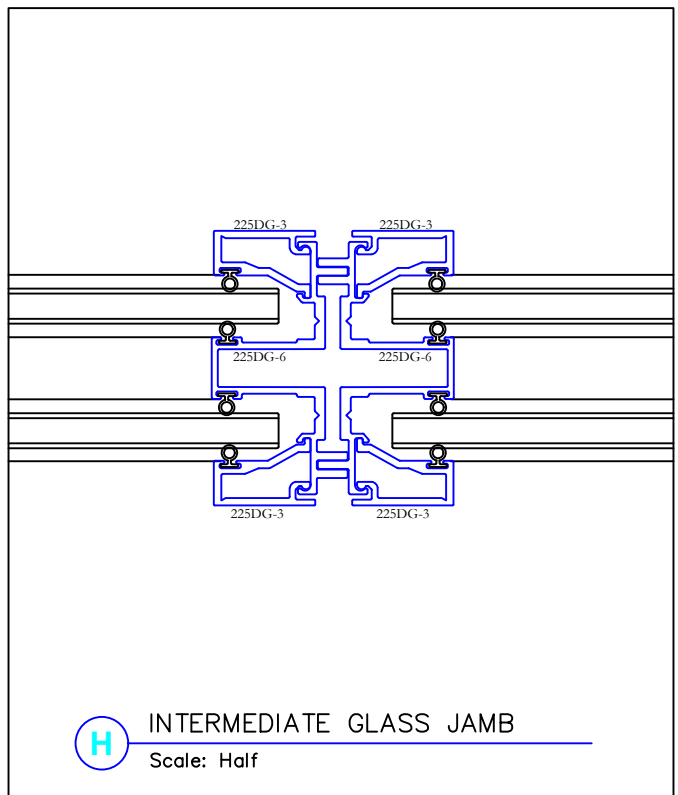
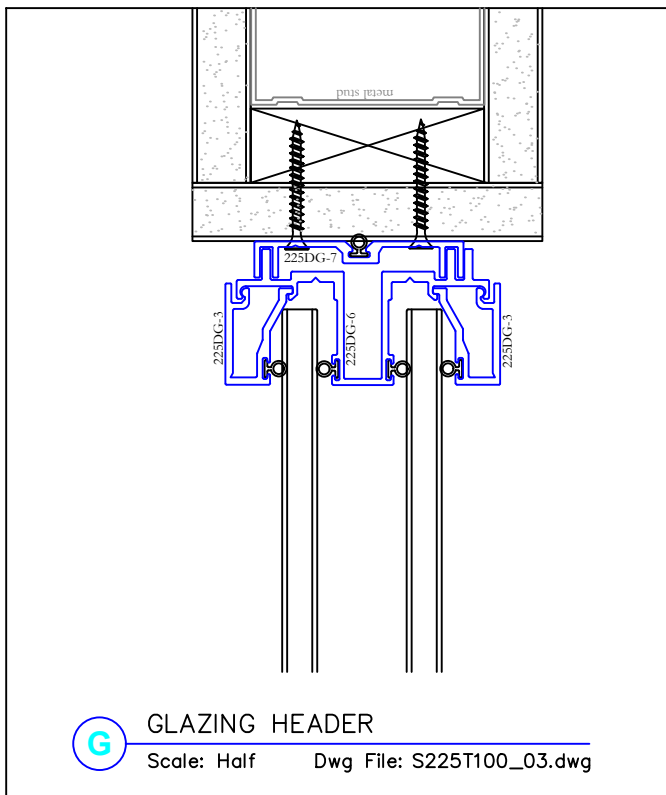
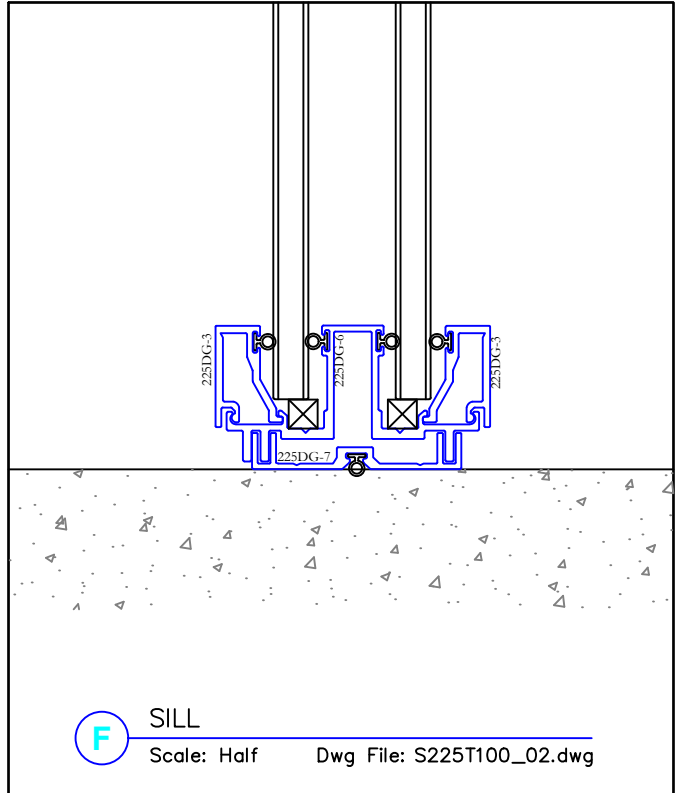
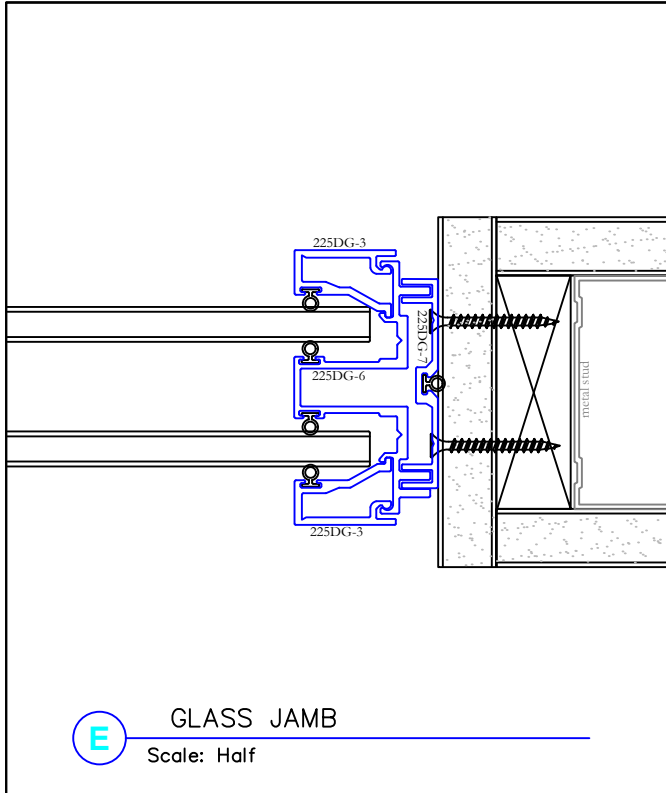
7601 Ambassador Row
Suite 102
Dallas, TX 75247
214.295.2165

7505 Bluff Point Dr.
Suite 100
Houston, TX 77086
713.405.3354

110 Viaduct Rd
Stamford, CT 06907
203.316.8033

www.wilsonpart.com

DEMOUNTABLE - SERIES 225





2301 E. Vernon Ave.
Vernon, CA 90058
866.443.7258
323.908.5430

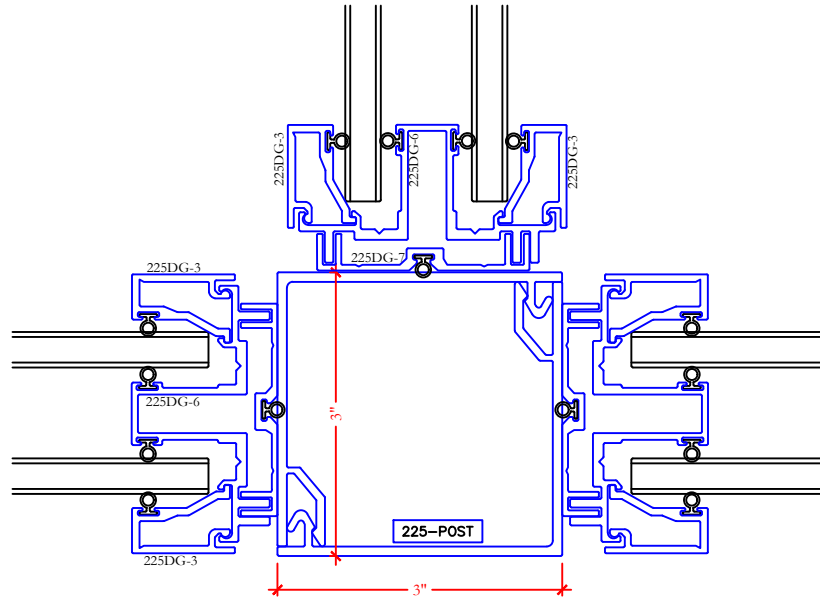
7601 Ambassador Row
Suite 102
Dallas, TX 75247
214.295.2165

7505 Bluff Point Dr.
Suite 100
Houston, TX 77086
713.405.3354

110 Viaduct Rd
Stamford, CT 06907
203.316.8033

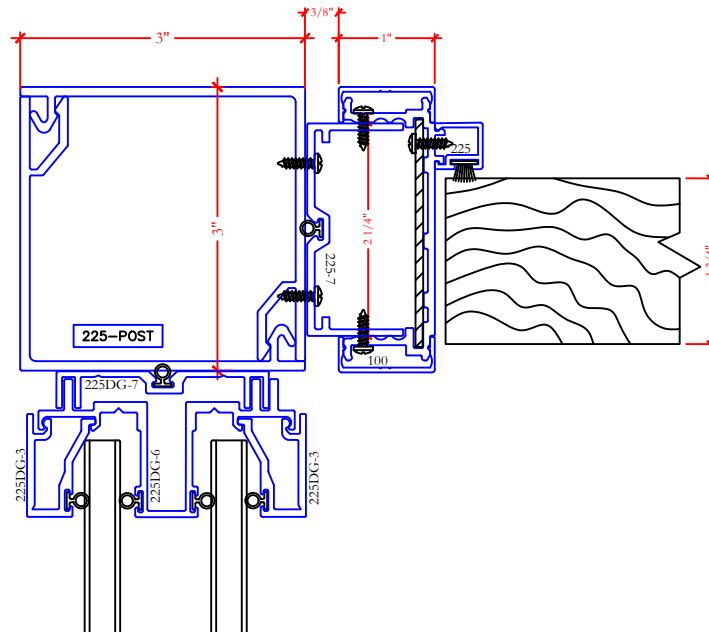
www.wilsonpart.com

DEMOUNTABLE - SERIES 225



3-WAY POST

Scale: Half Dwg File: S225T100_04.dwg



90° CORNER POST

Scale: Half



2301 E. Vernon Ave.
Vernon, CA 90058
866.443.7258
323.908.5430

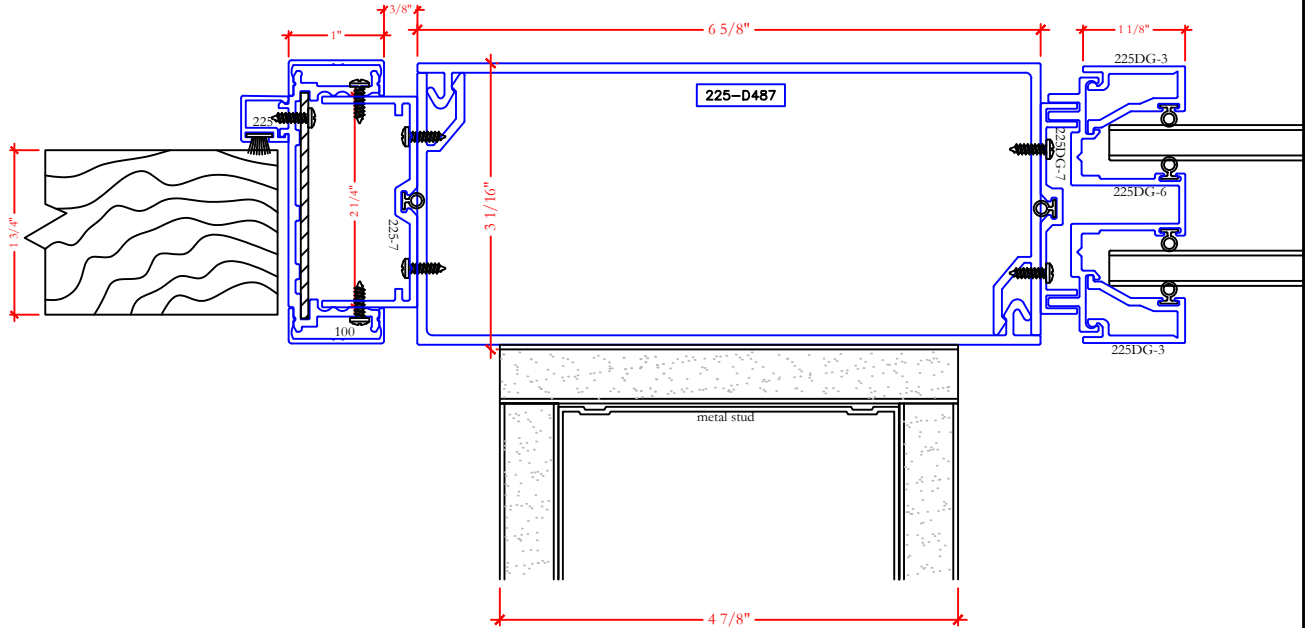
7601 Ambassador Row
Suite 102
Dallas, TX 75247
214.295.2165

7505 Bluff Point Dr.
Suite 100
Houston, TX 77086
713.405.3354

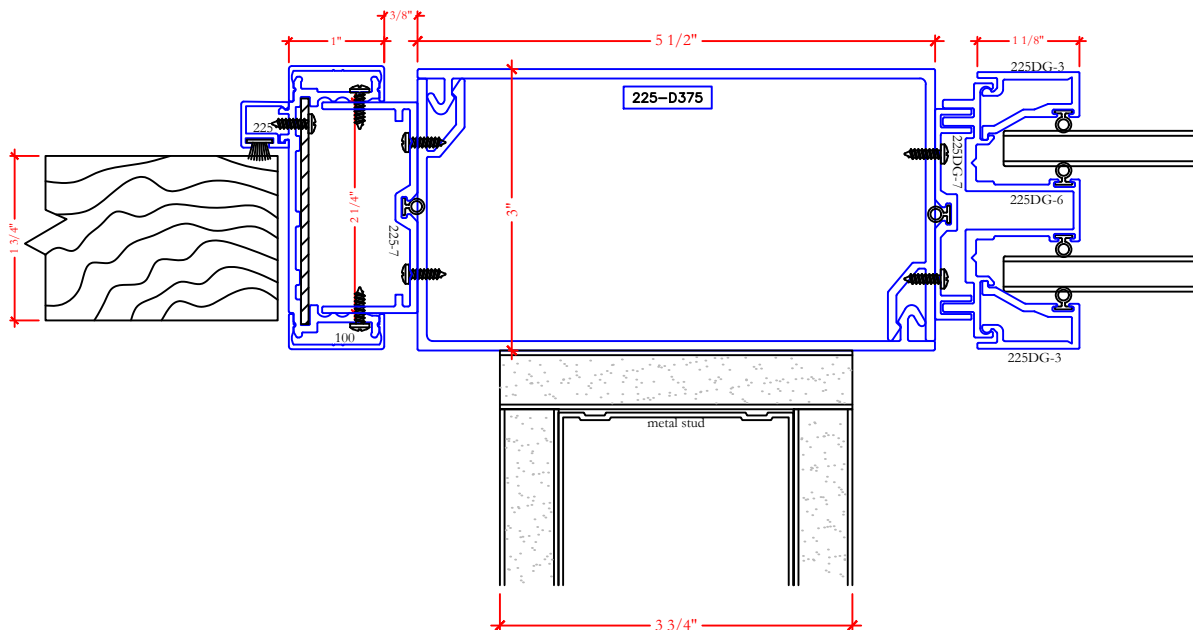
110 Viaduct Rd
Stamford, CT 06907
203.316.8033

www.wilsonpart.com

DEMOUNTABLE - SERIES 225



K DEMISING WALL POST (4-7/8" WALL)
Scale: Half Dwg File: S225T100_05.dwg



L DEMISING WALL POST (3-3/4" WALL)
Scale: Half Dwg File: S225T100_04.dwg