

2301 E. Vernon Ave.  
Vernon, CA 90058  
866.443.7258  
323.908.5430

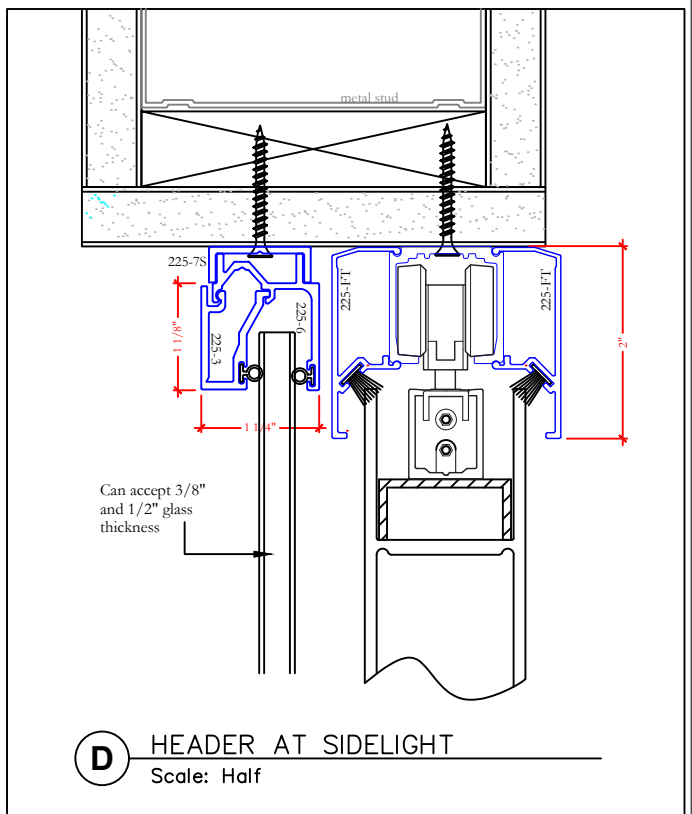
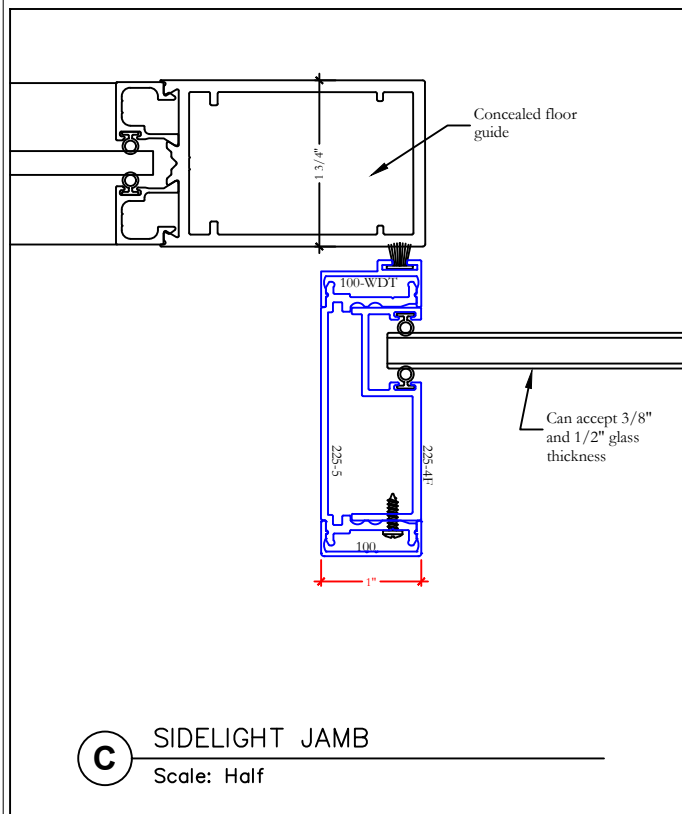
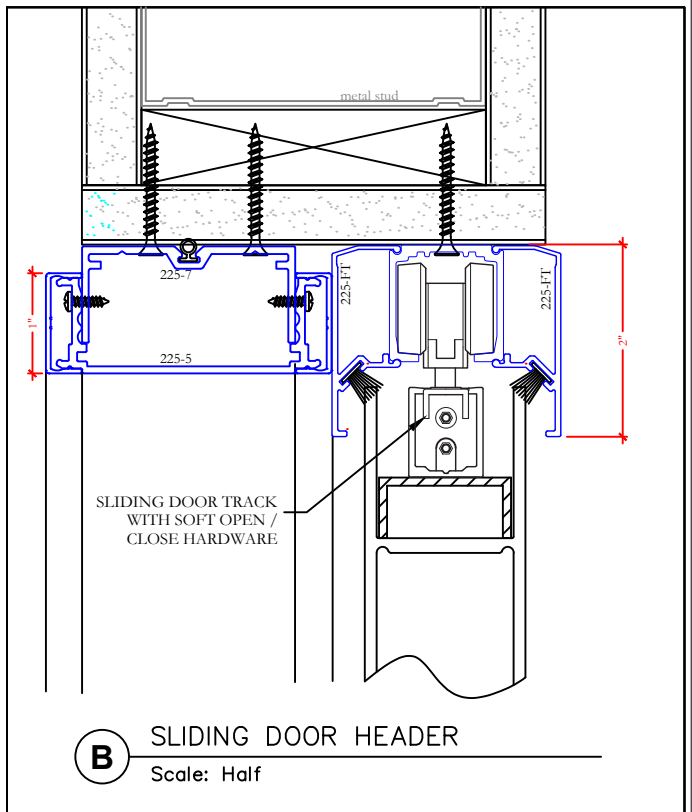
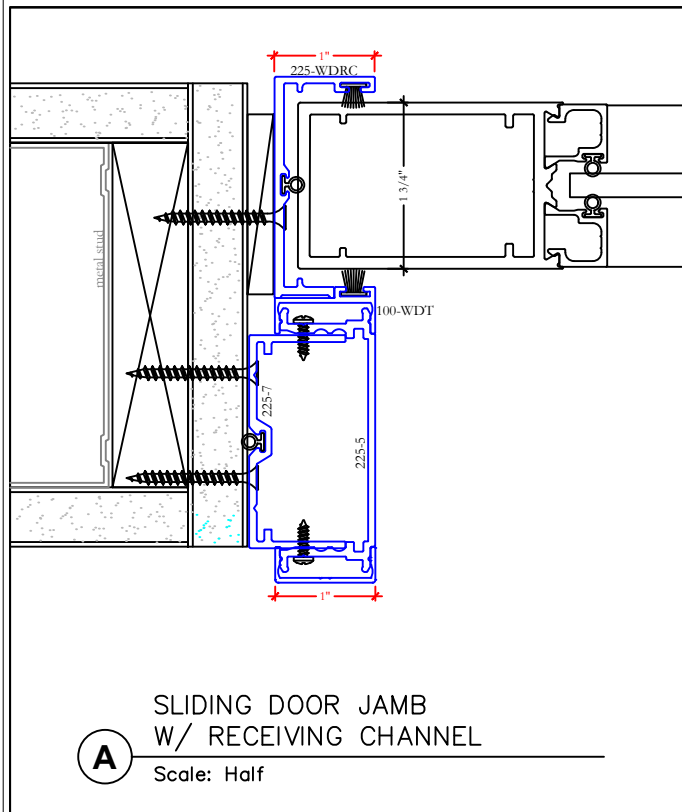
7601 Ambassador Row  
Suite 102  
Dallas, TX 75247  
214.295.2165

7505 Bluff Point Dr.  
Suite 100  
Houston, TX 77086  
713.405.3353

110 Viaduct Rd  
Stamford, CT 06907  
203.316.8033

www.wilsonpart.com

## DEMOUNTABLE - SERIES 225



2301 E. Vernon Ave.  
Vernon, CA 90058  
866.443.7258  
323.908.5430

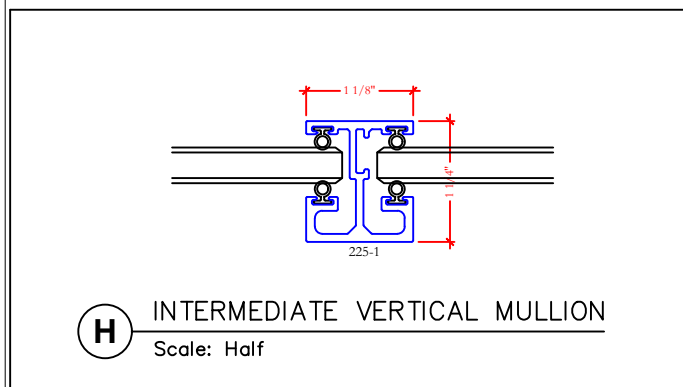
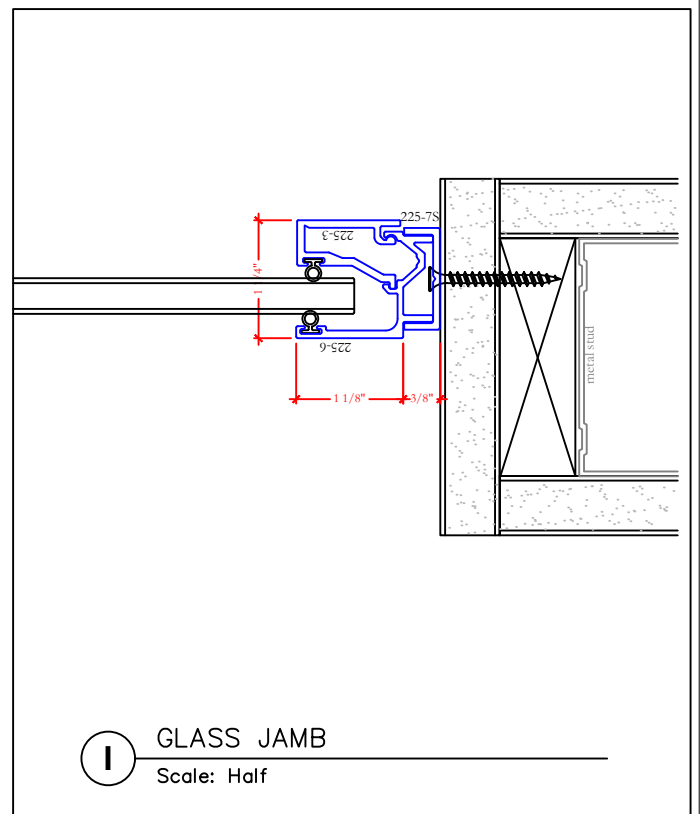
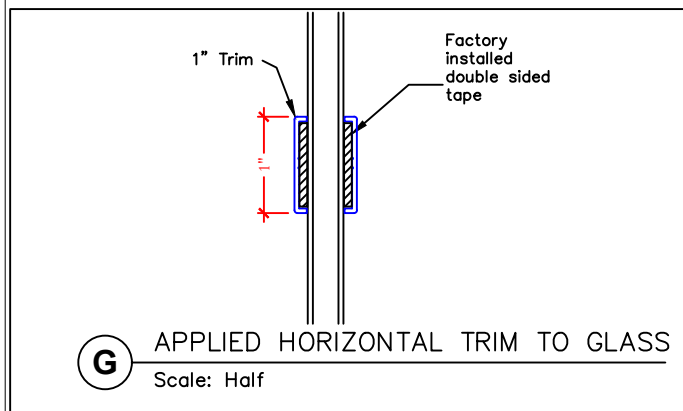
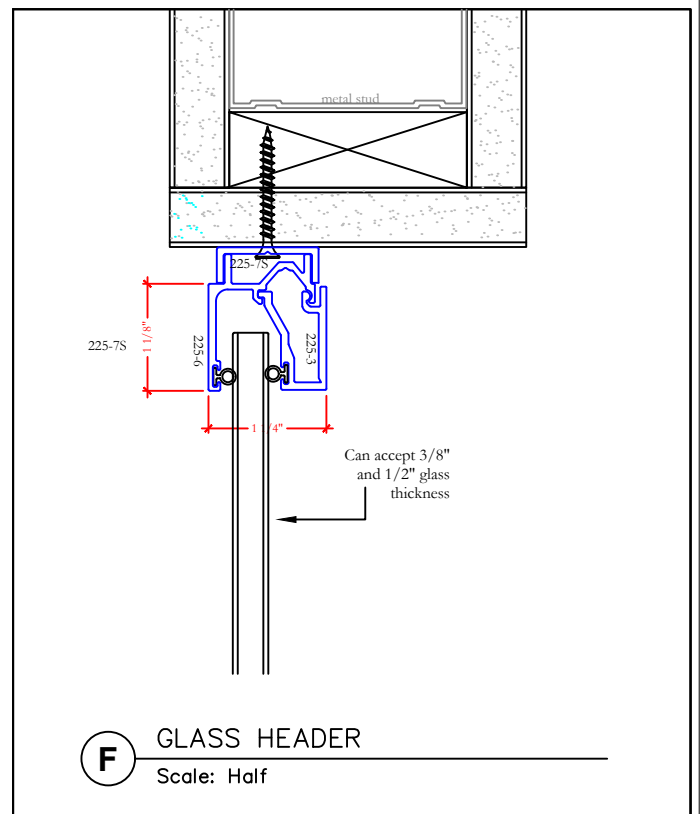
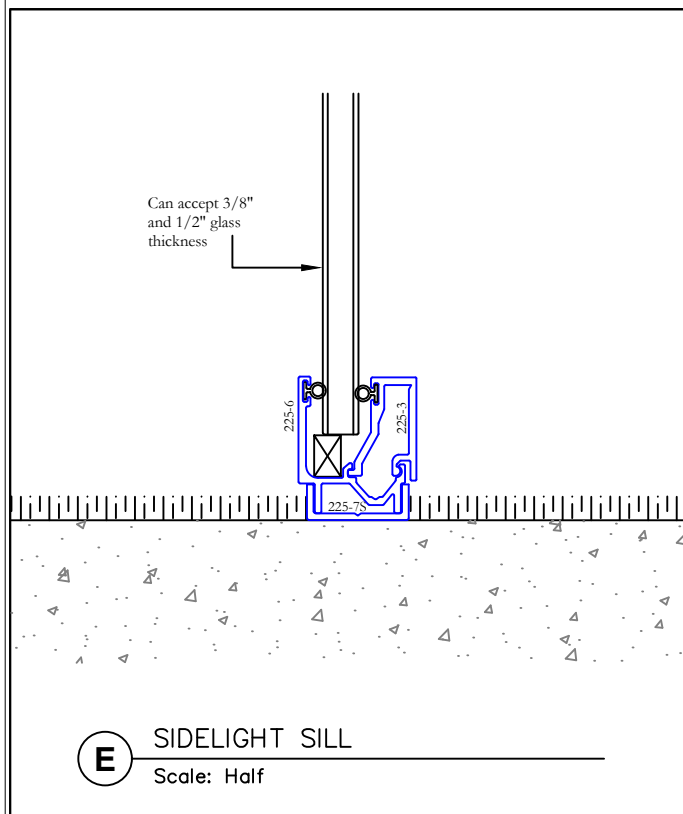
7601 Ambassador Row  
Suite 102  
Dallas, TX 75247  
214.295.2165

7505 Bluff Point Dr.  
Suite 100  
Houston, TX 77086  
713.405.3353

110 Viaduct Rd  
Stamford, CT 06907  
203.316.8033

www.wilsonpart.com

## DEMOUNTABLE - SERIES 225



2301 E. Vernon Ave.  
Vernon, CA 90058  
866.443.7258  
323.908.5430

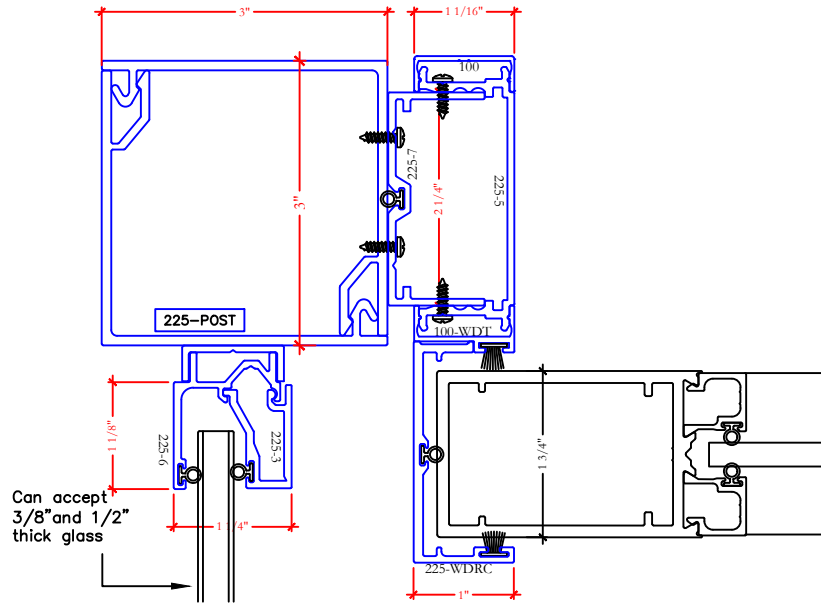
7601 Ambassador Row  
Suite 102  
Dallas, TX 75247  
214.295.2165

7505 Bluff Point Dr.  
Suite 100  
Houston, TX 77086  
713.405.3353

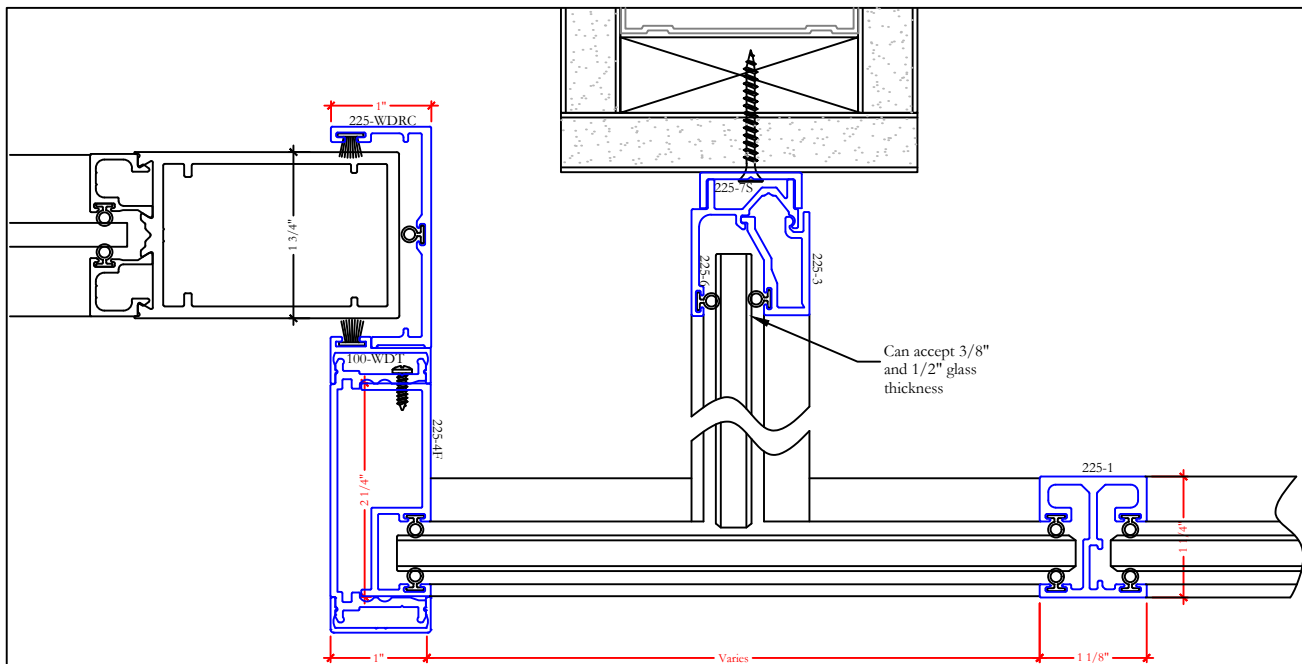
110 Viaduct Rd  
Stamford, CT 06907  
203.316.8033

www.wilsonpart.com

## DEMOUNTABLE - SERIES 225



**J** SLIDING DOOR AT 90 DEGREE CORNER  
Scale: Half



**K** 3-WAY BUTT JOINTED INTERSECTION  
Scale: Half

2301 E. Vernon Ave.  
Vernon, CA 90058  
866.443.7258  
323.908.5430

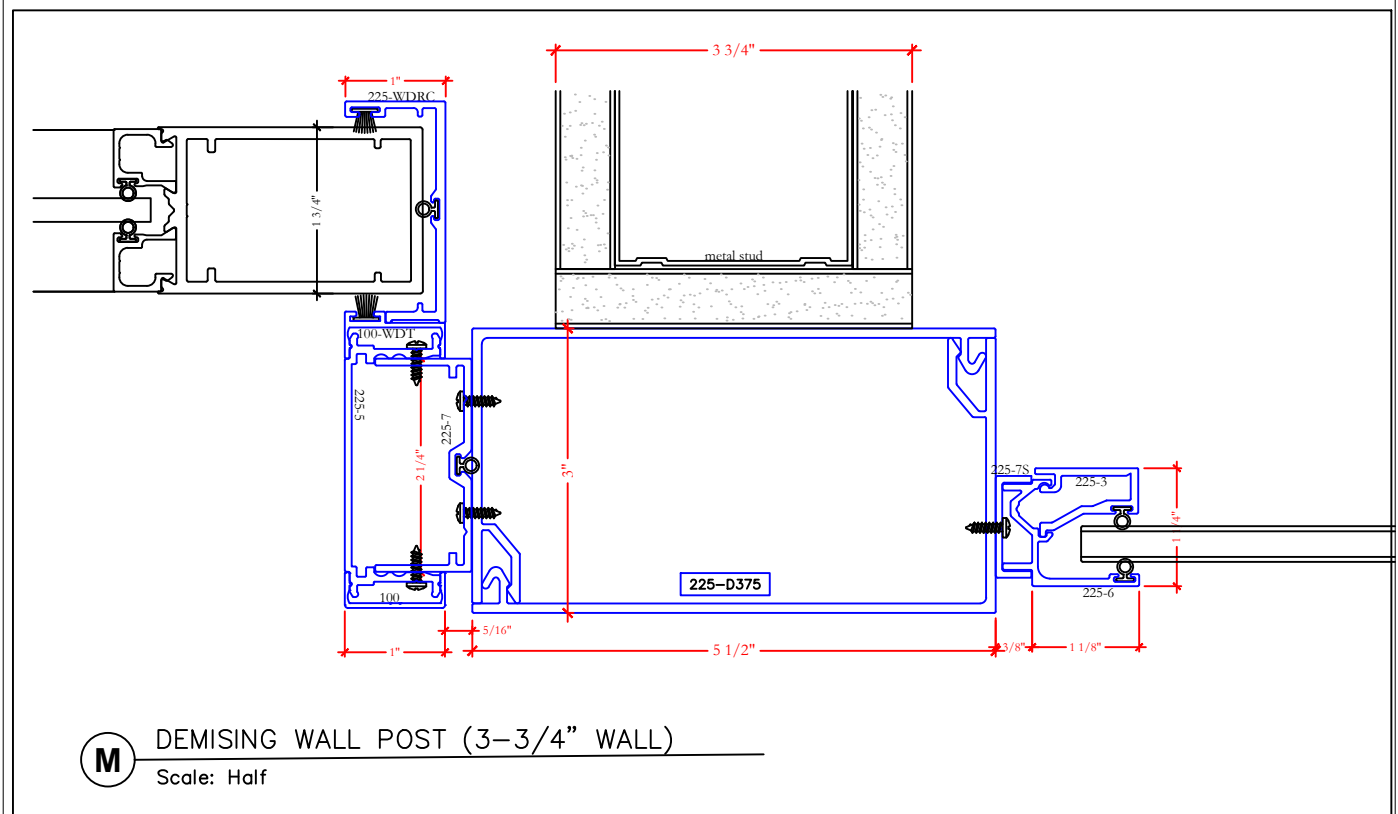
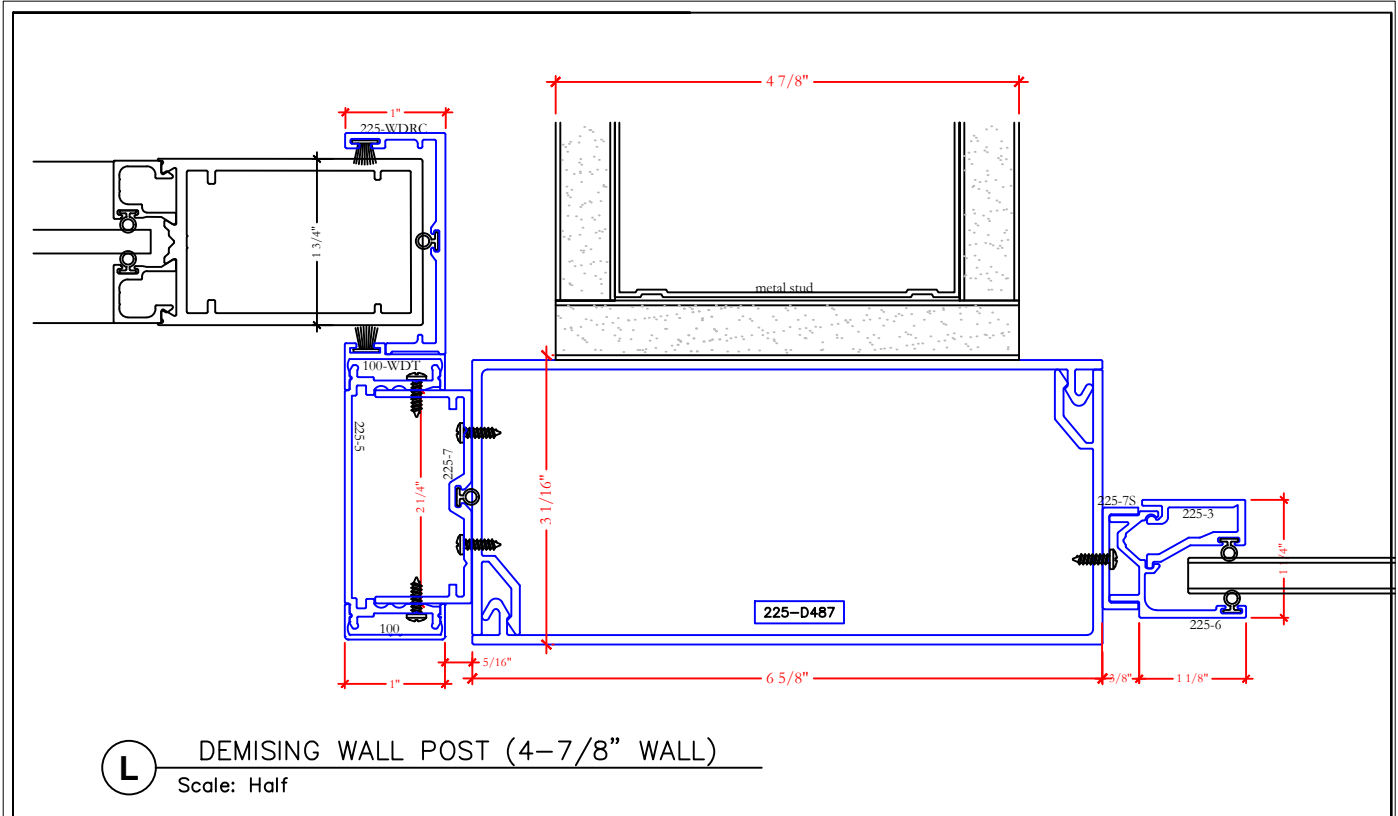
7601 Ambassador Row  
Suite 102  
Dallas, TX 75247  
214.295.2165

7505 Bluff Point Dr.  
Suite 100  
Houston, TX 77086  
713.405.3353

110 Viaduct Rd  
Stamford, CT 06907  
203.316.8033

www.wilsonpart.com

## DEMOUNTABLE - SERIES 225





2301 E. Vernon Ave.  
Vernon, CA 90058  
866.443.7258  
323.908.5430

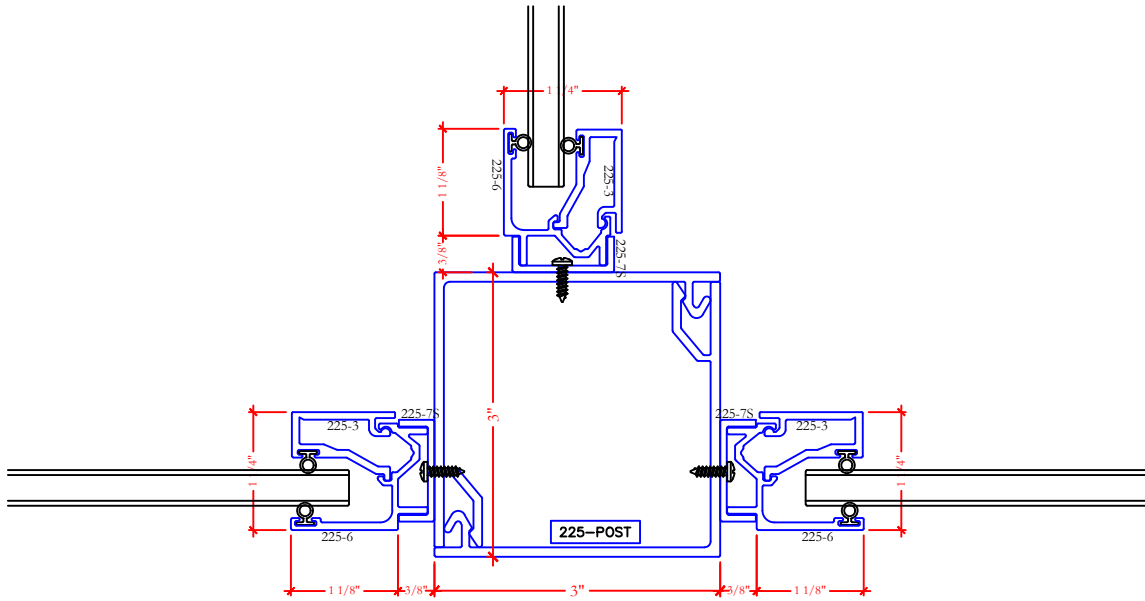
7601 Ambassador Row  
Suite 102  
Dallas, TX 75247  
214.295.2165

7505 Bluff Point Dr.  
Suite 100  
Houston, TX 77086  
713.405.3353

110 Viaduct Rd  
Stamford, CT 06907  
203.316.8033

[www.wilsonpart.com](http://www.wilsonpart.com)

## DEMOUNTABLE - SERIES 225



3-WAY POST

Scale: Half