

2301 E. Vernon Ave.
Vernon, CA 90058
866.443.7258
323.908.5430
323.908.5451 Fax

7601 Ambassador Row
Suite 102
Dallas, TX 75247
214.295.2165
214.496.0156 Fax

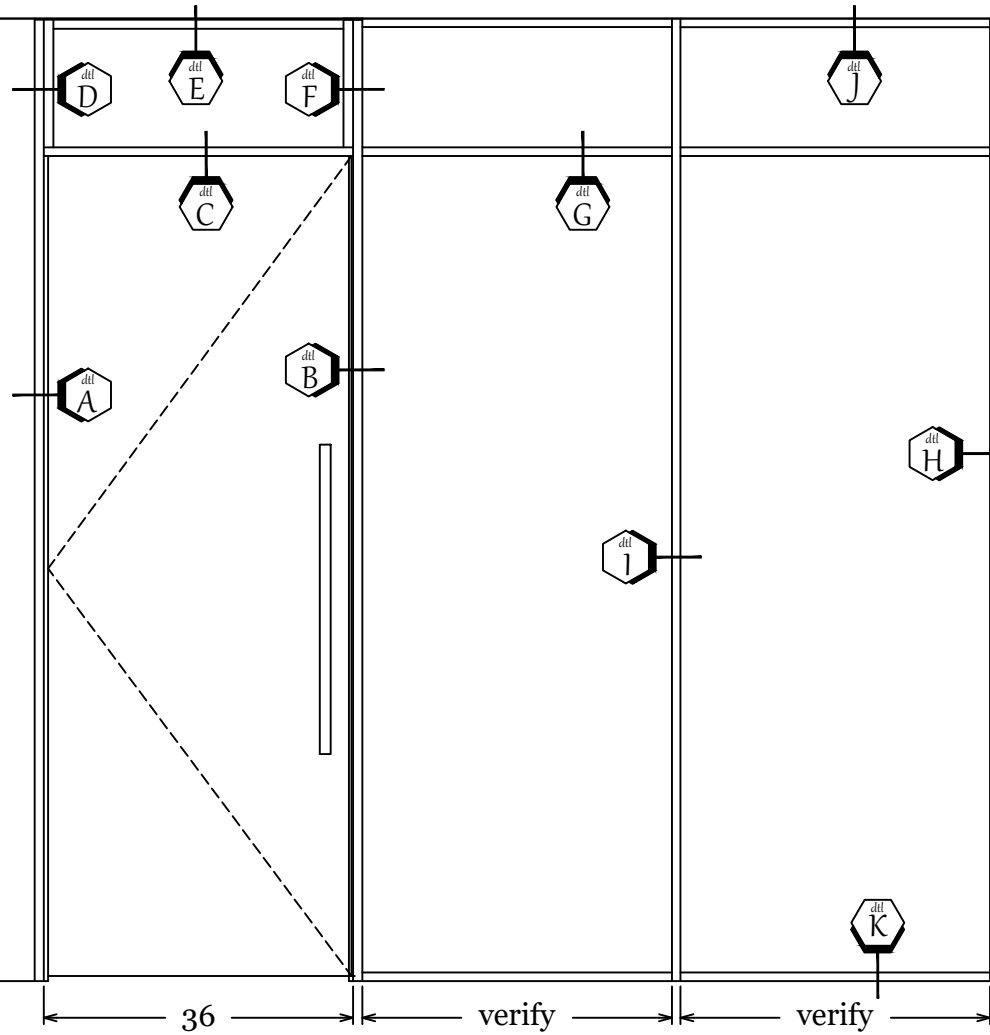
7505 Bluff Point Dr.
Suite 100
Houston, TX 77086
713.405.3353

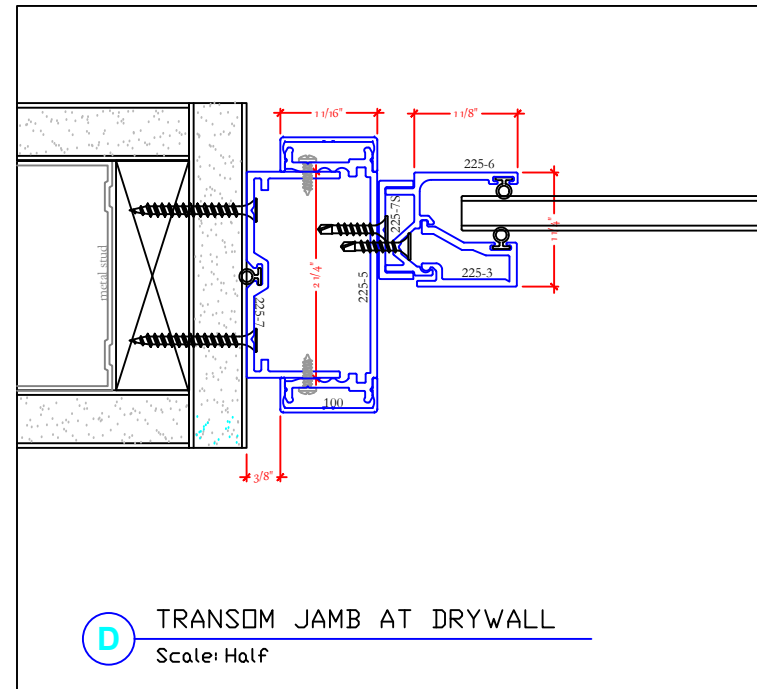
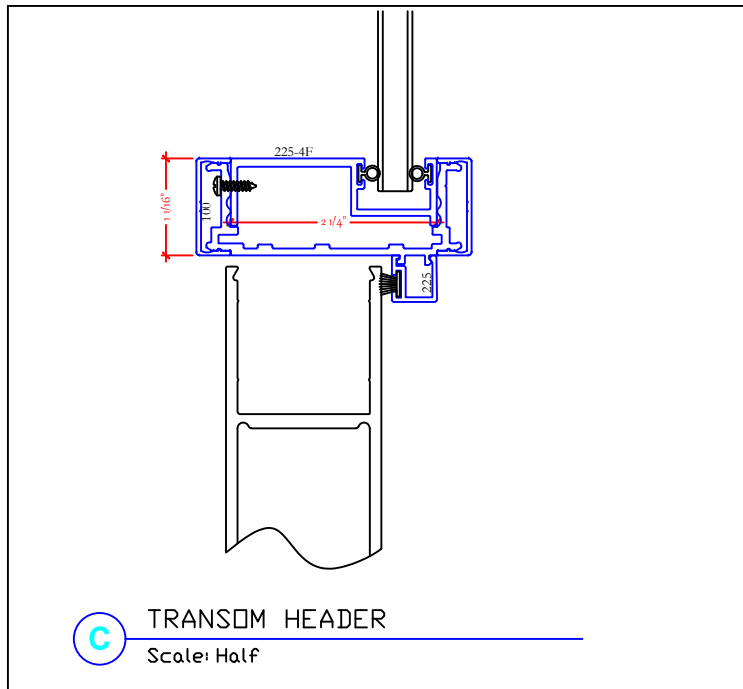
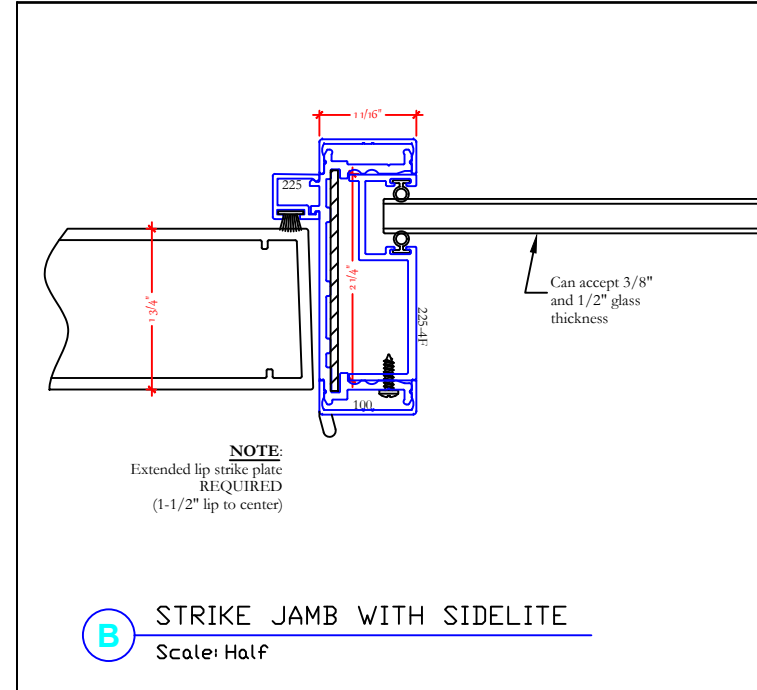
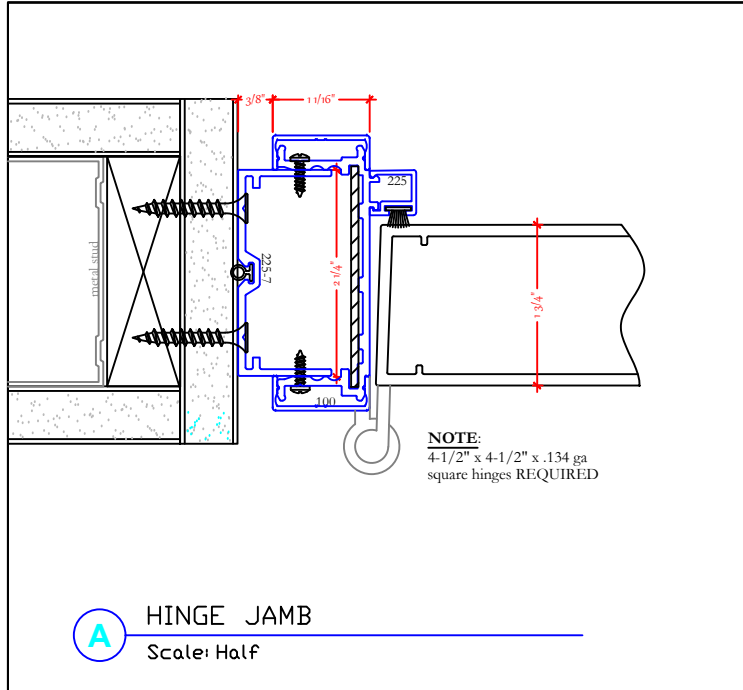
110 Viaduct Rd
Stamford, CT 06907
203.316.8033
203.316.0019 Fax

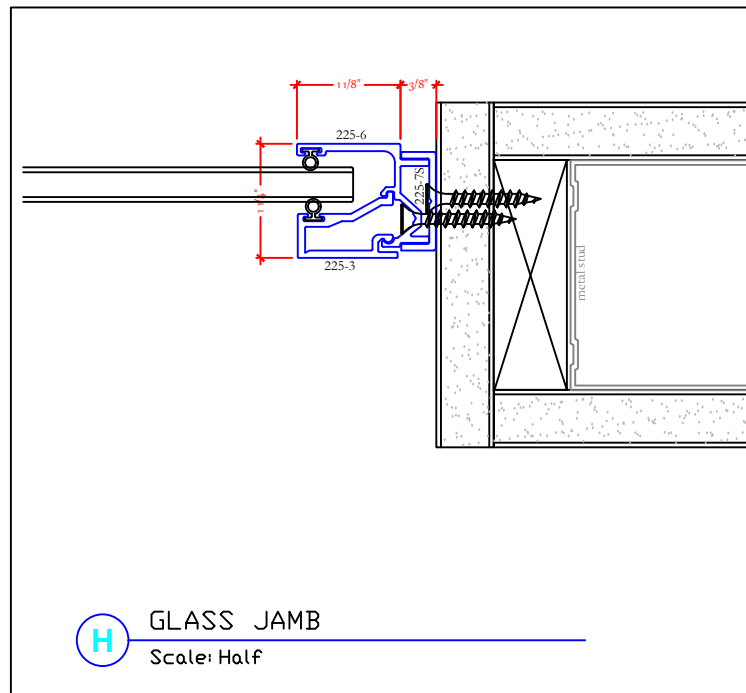
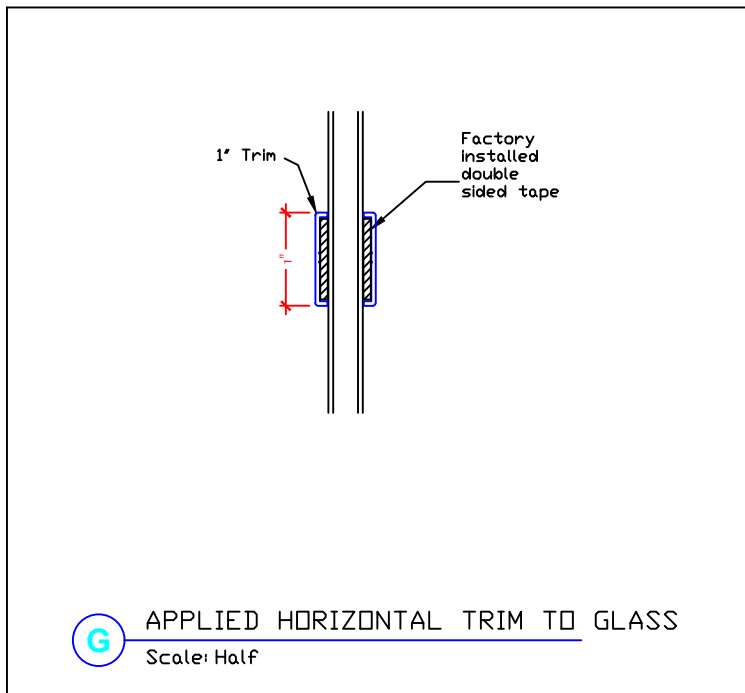
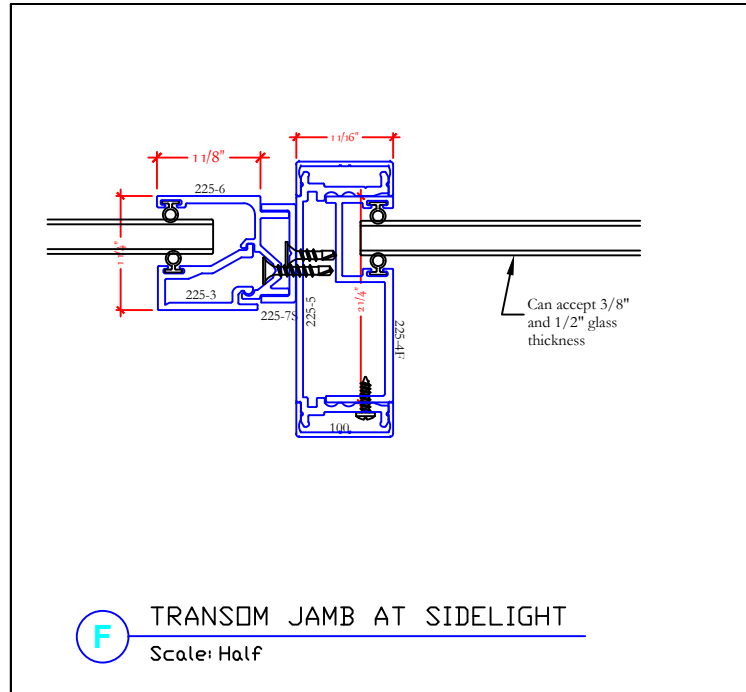
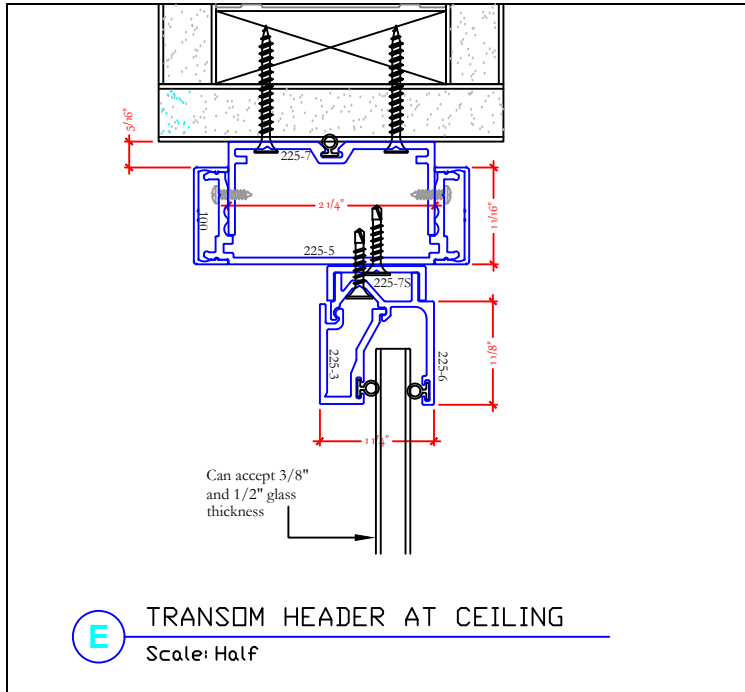
www.wilsonpart.com

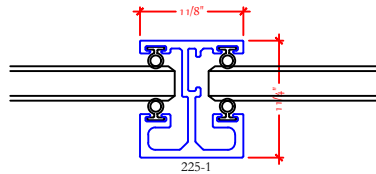
Installation Instructions for Wilson Partitions 225 Demountable Wall System Transom Frame



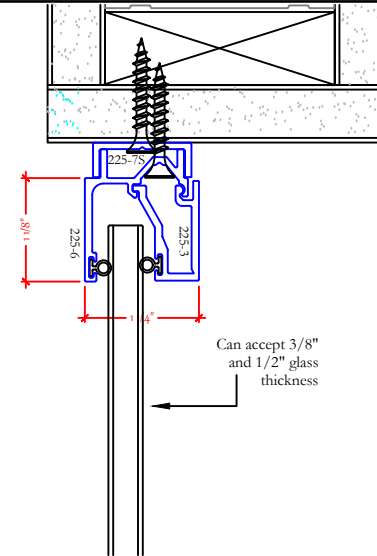






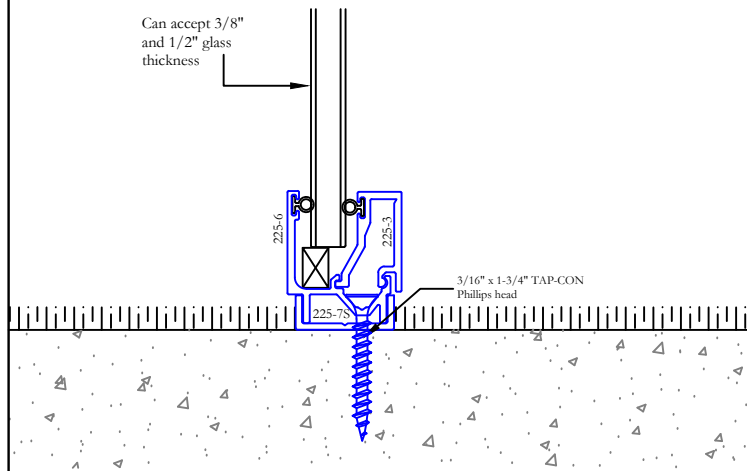


I INTERMEDIATE VERTICAL MULLION
Scale: Half



J GLAZING HEADER
Scale: Half

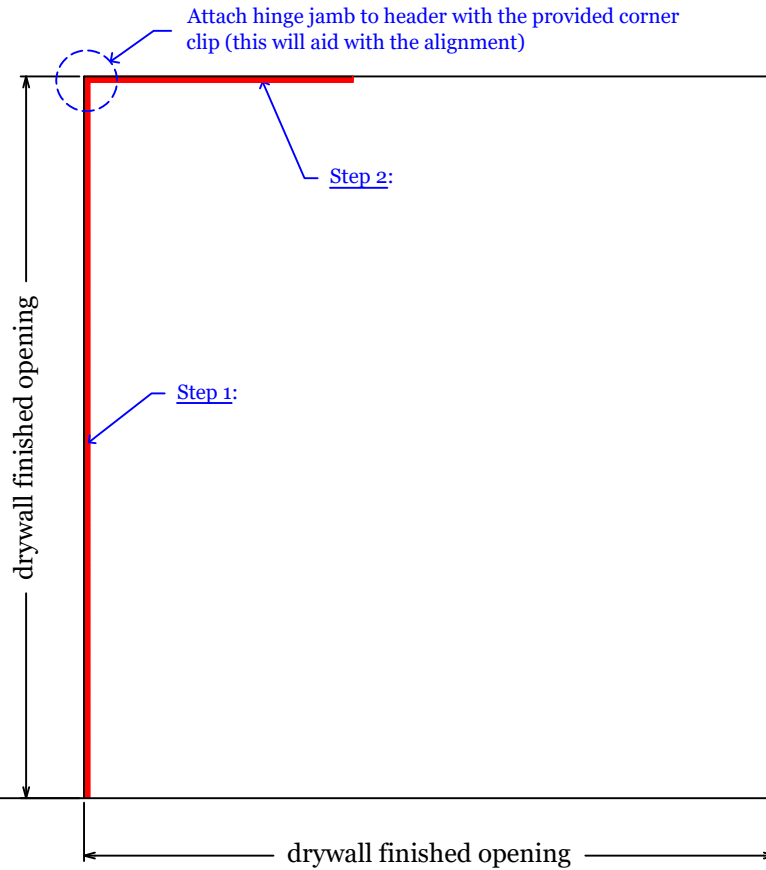
Can accept 3/8" and 1/2" glass thickness



K SILL

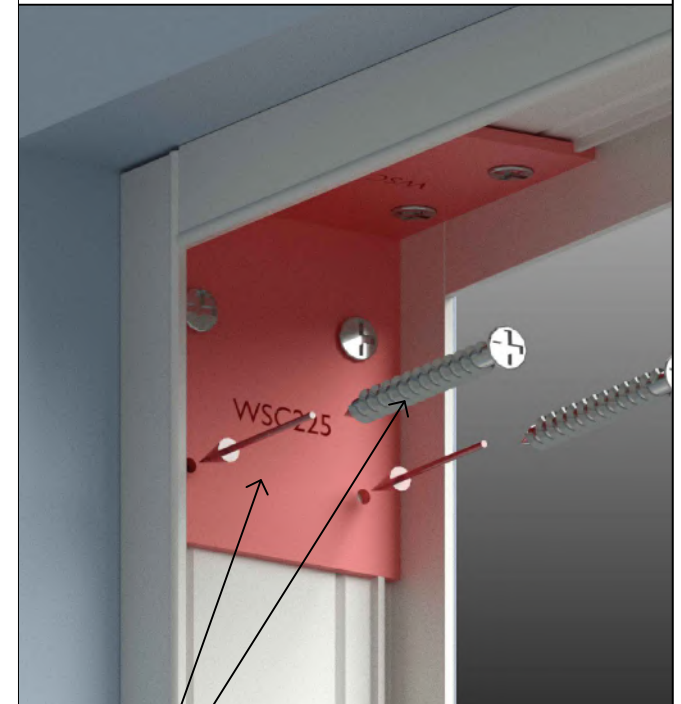
Can accept 3/8" and 1/2" glass thickness

3/16" x 1-3/4" TAP-CON
Phillips head

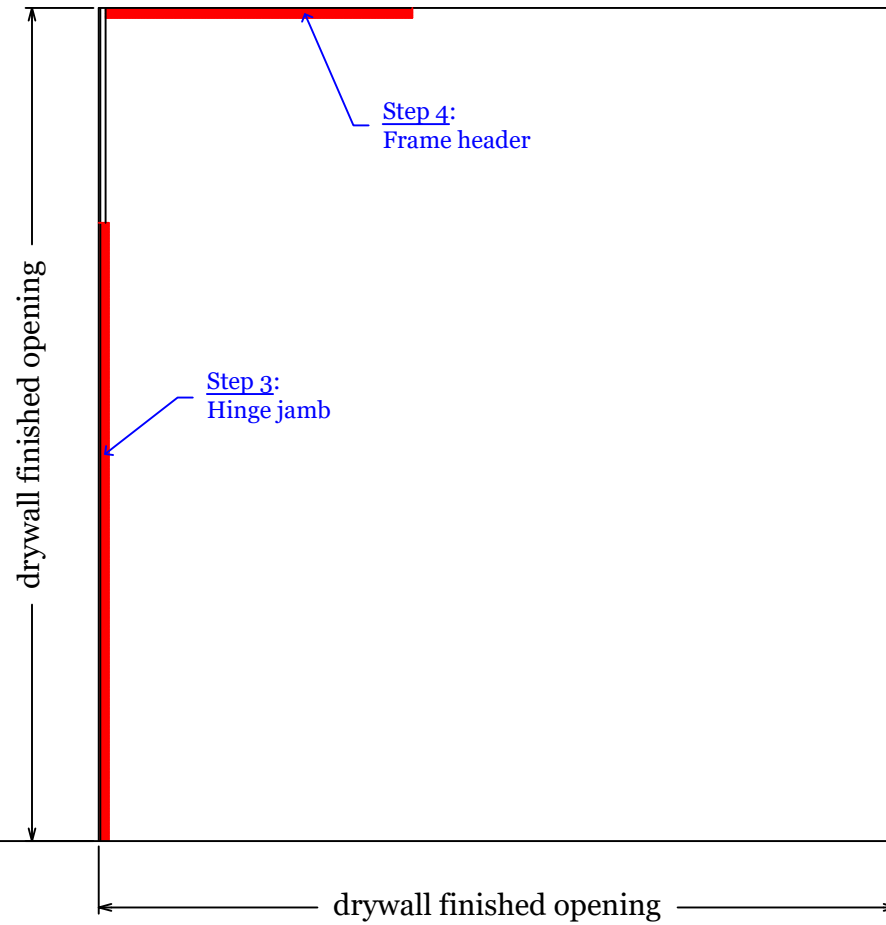


Step 1:
Install wall start from floor to ceiling.

Step 2:
Install the wall start above the door frame header ONLY (part is cut at the factory to the exact length - do not trim)



Attach wall start to drywall opening with the WSC225 clip using 1-1/4" drywall screws
Finish securing the wall start to the drywall openings using 1-1/4" drywall screws at ~ 20" o.c.

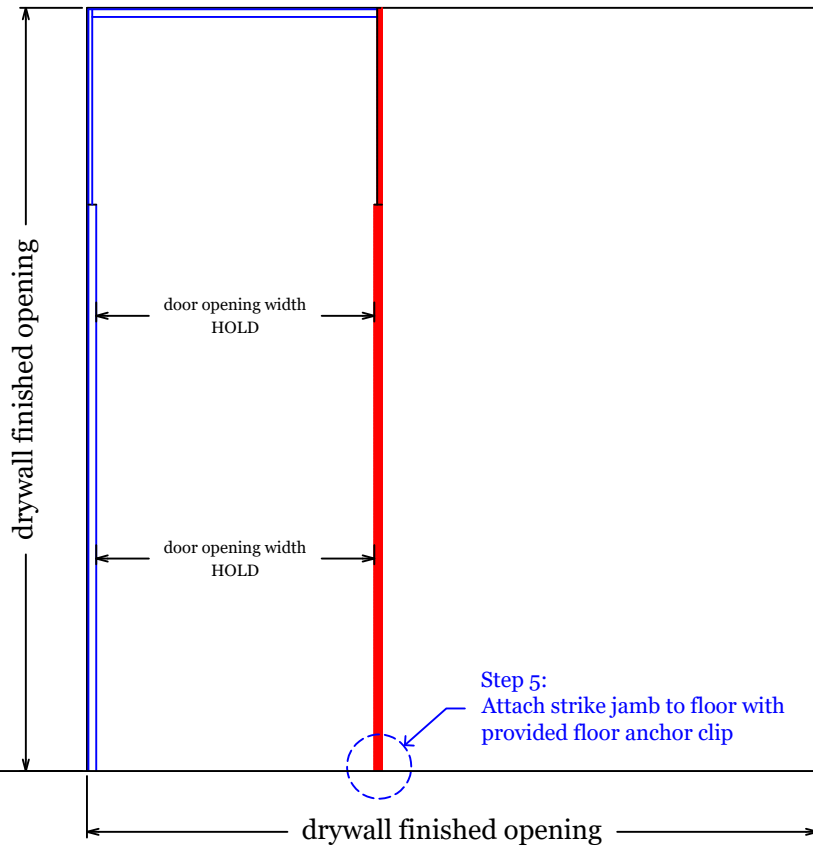


Step 3:

Install the hinge jamb over the wall start holding a $\frac{3}{16}$ " reveal.

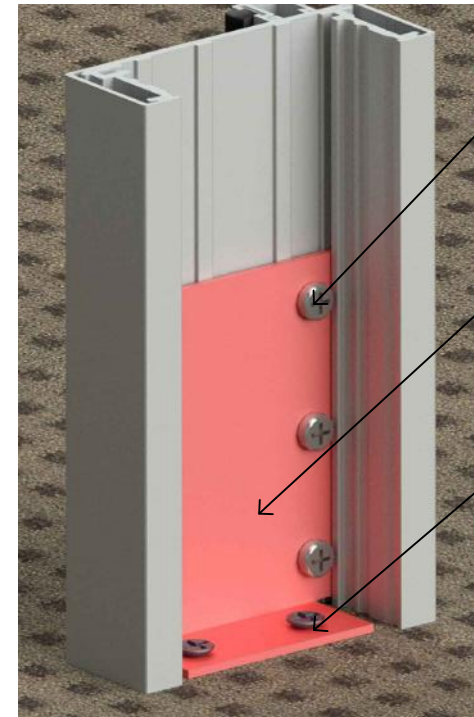
Step 4:

Install the 225-5 wall cap header over the wall start holding a $\frac{3}{16}$ " reveal.



Step 5:
Install the strike jamb using the provided floor clip ... Make sure to hold the door opening width... Secure the floor clip to the strike jamb and floor using the provided anchors..

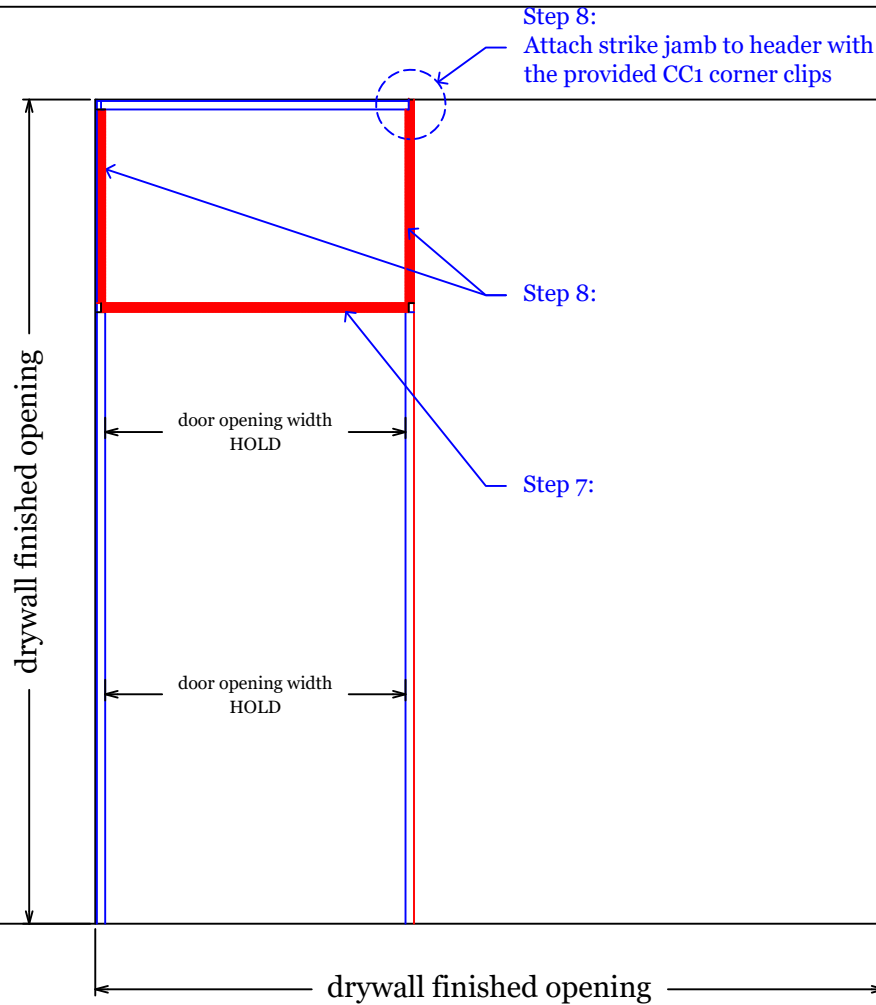
Step 6:
Install the flush glass pocket insert into the strike jamb from floor to ceiling Keep in mind the insert will extend past the top of the strike jamb.. Attached the strike jamb to the header with the provided CC1 clip on each side.



Attach floor clip to jamb at the door stop location ONLY using provided 1/2" framing screws

Floor clip

Secure to floor using the provided 1-1/4" Tapcon anchors

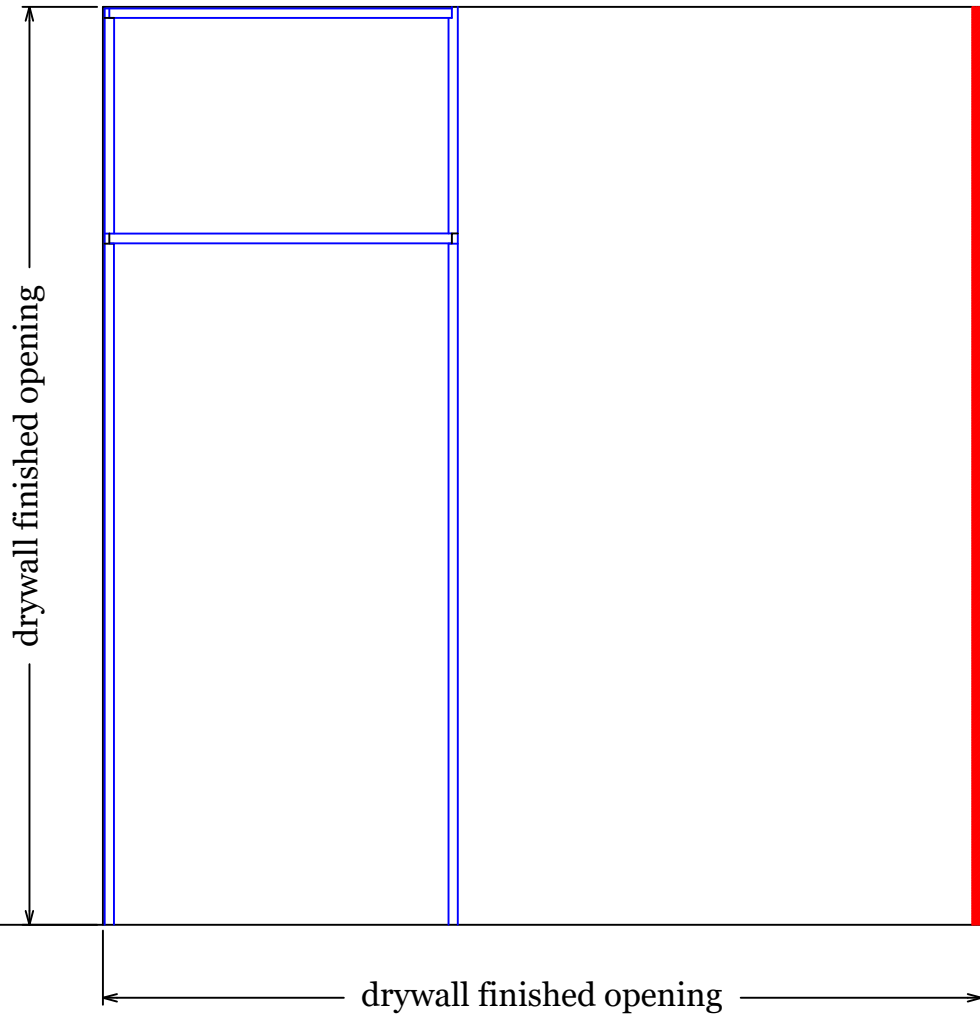


Step 7:
Install the transom frame header on top of the hinge and strike jamb... the header is cut $\frac{3}{4}$ " longer than the door opening width and will rest on top of the hinge and strike jambs.

Step 8:
Install the 2 vertical cased opening pcs (225-5) on top of the header on the hinge and strike jambs.. Attach the strike leg with the provided corner clips Install the 1" trim to the opening .. Note that the trim will be long at the top and bottom... Make sure to align the trim with the notches for the hinge and strike plate prior to cutting



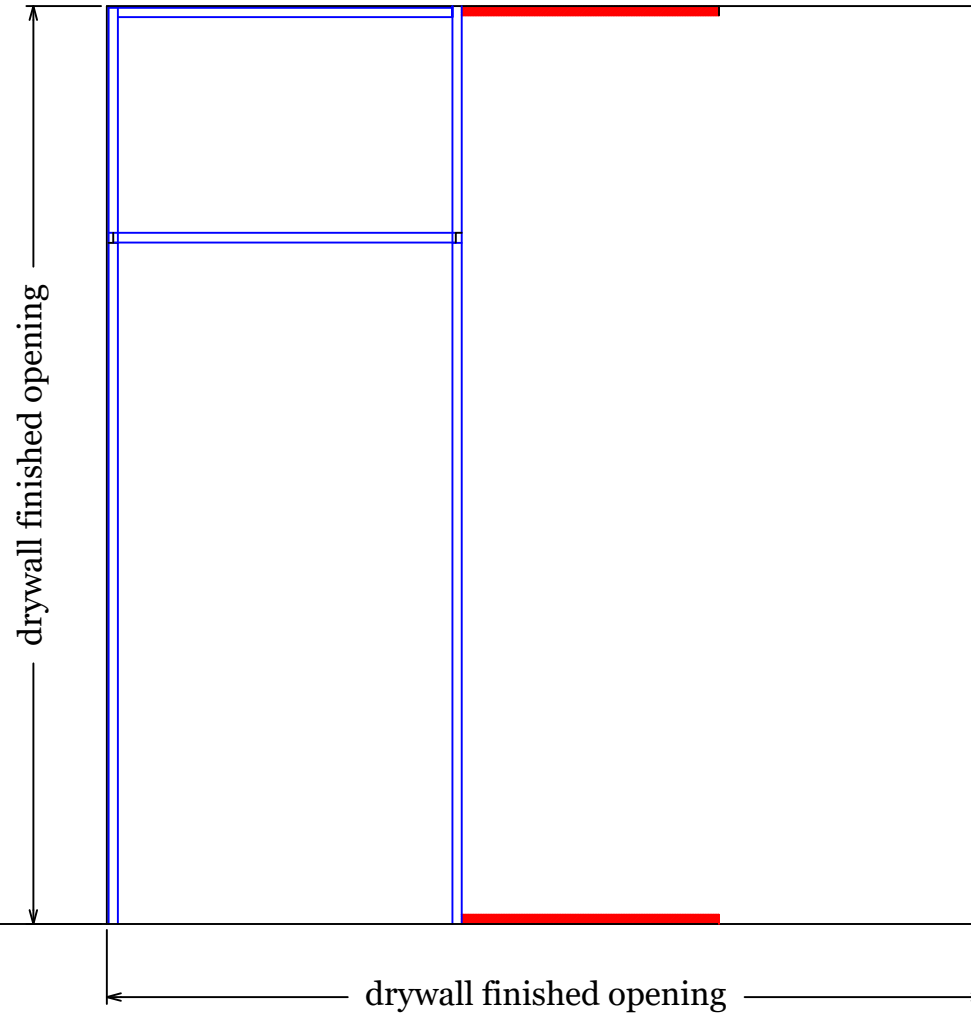
Attach frame header to strike jamb with CC1 clip (after installation of the wall start / filler)



Step 9:
Install the vertical glass jamb w/ stop onto the drywall opening, floor to ceiling..

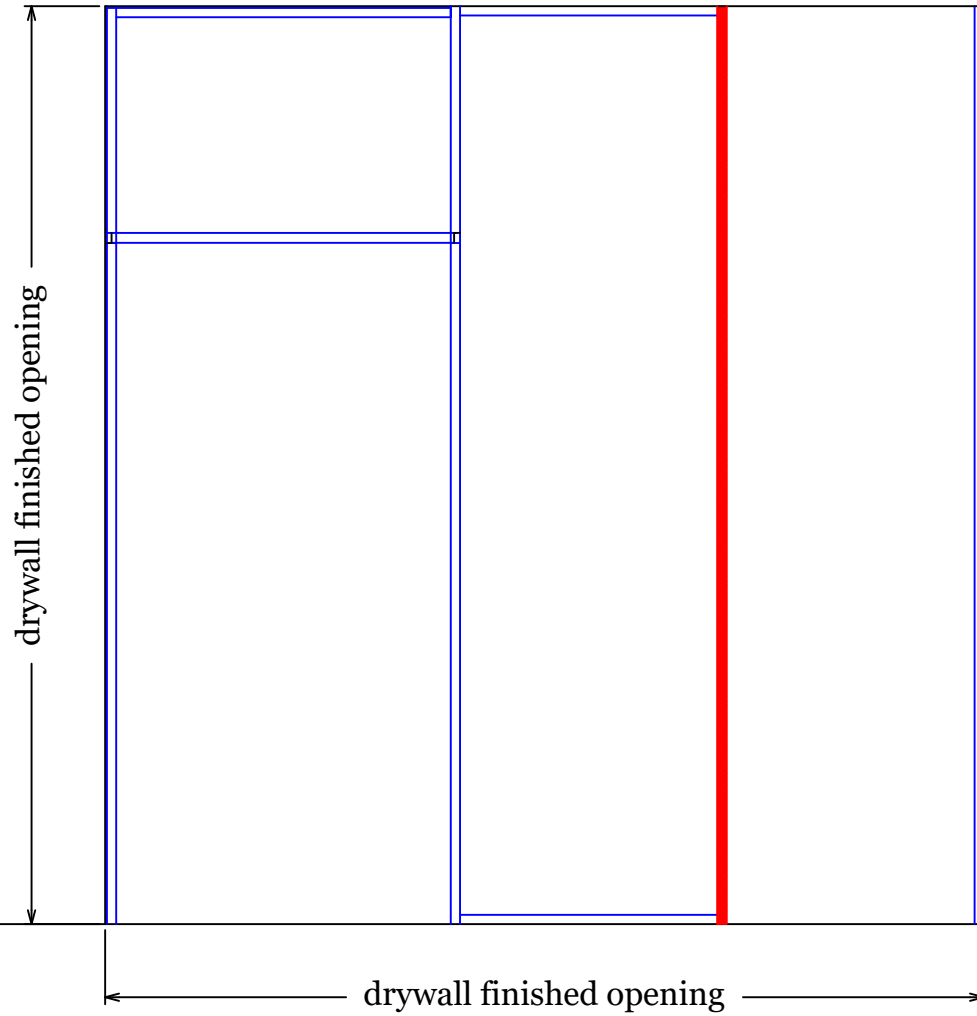


Attach vertical glass jamb at drywall opening
(floor to ceiling)



Step 10:

Determine the length of the horizontal glass mullions and cut one side (top and bottom) and secure to the ceiling with 1-5/8" drywall screws and to the floor with the provided 3/16" x 1-1/4" TapCons - Phillips head.



Step 9:

Cut the vertical intermediate glass jamb to length (floor to ceiling).

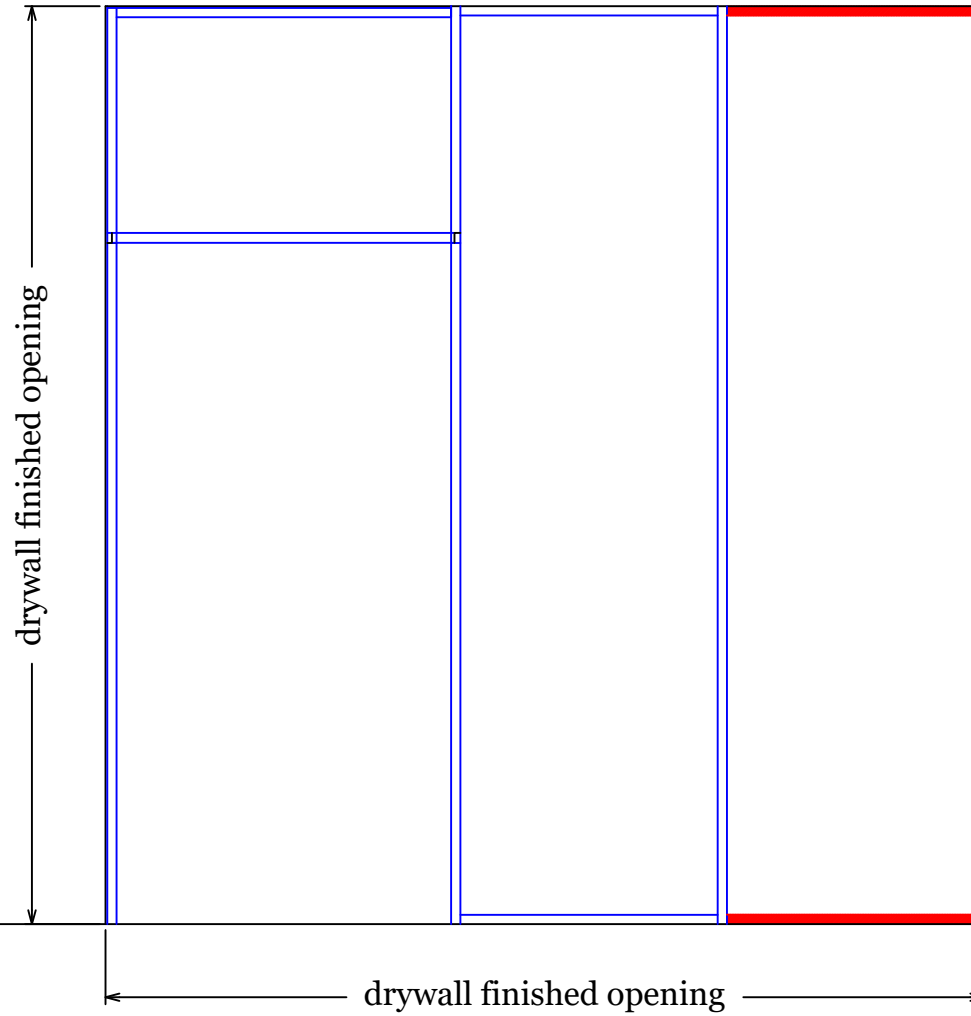
Install with 1-5/8" drywall screws to ceiling.

(Note that the screw will go in at an angle)

The bottom will be secured by the installation of the glass.

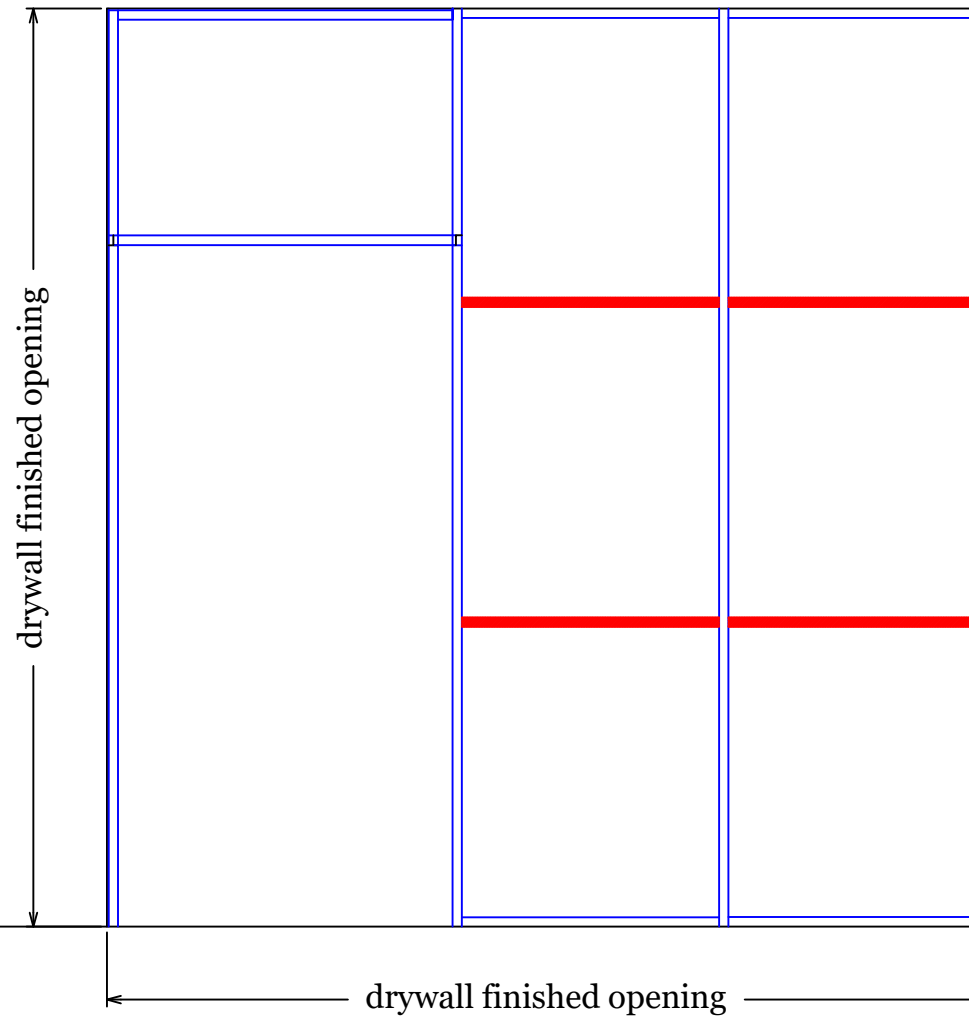
(Use a small bar clamp to hold the vertical in place while drilling and securing to the ceiling)





Step 10:

Determine the length of the remaining horizontal glass mullions and cut one side (top and bottom) and secure to ceiling and floor.
If there are additional intermediate vertical mullions, continue to install in a progressive manner.



Step 11:

After installation of glass, cut the horizontal trim to length and apply directly to glass on each side. (trim has factory applied double sided tape)