

2301 E. Vernon Ave.
Vernon, CA 90058
866.443.7258
323.908.5430

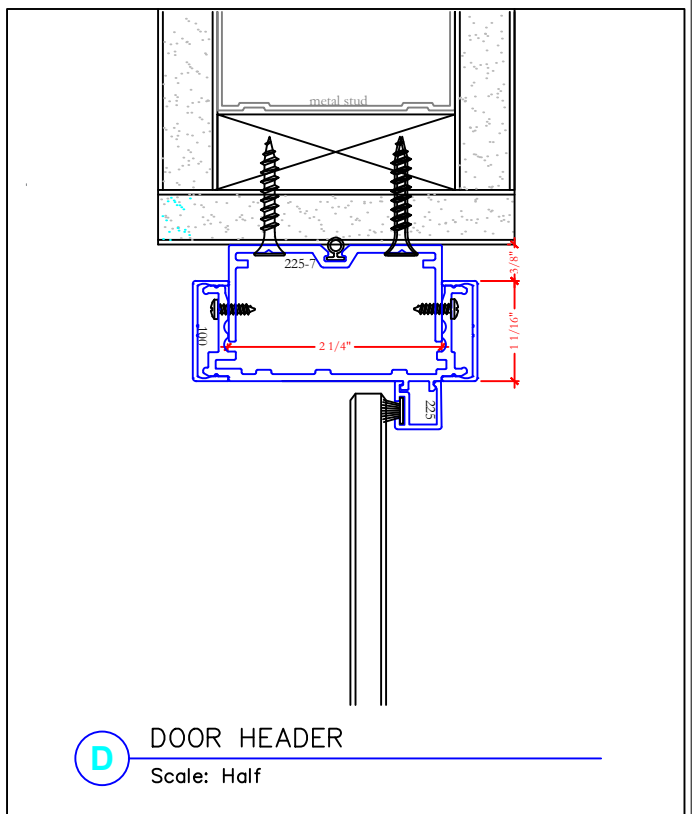
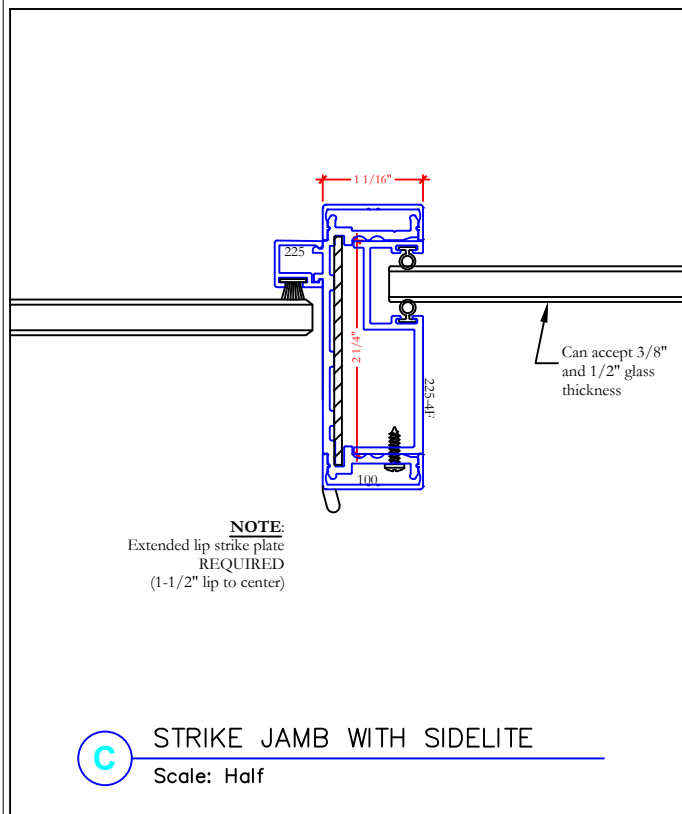
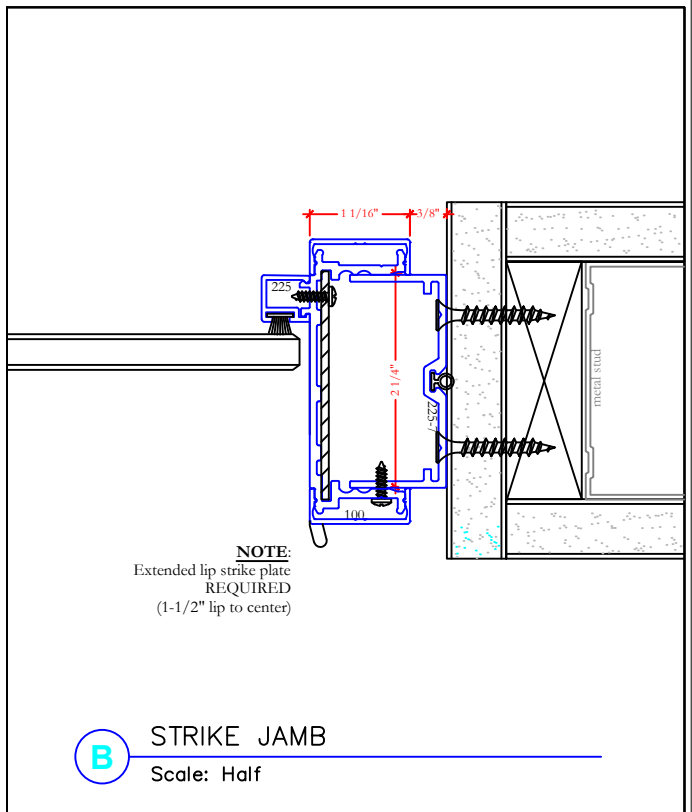
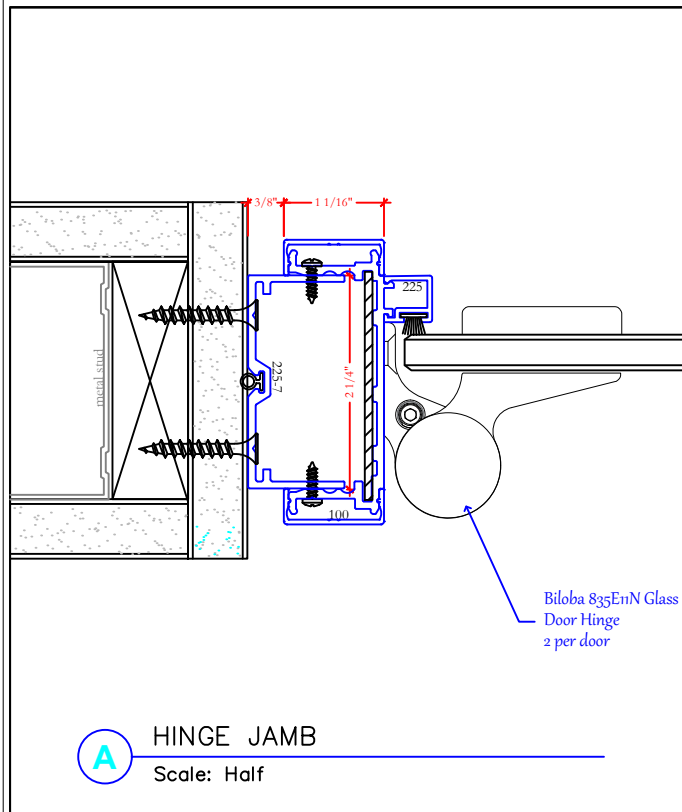
7601 Ambassador Row
Suite 102
Dallas, TX 75247
214.295.2165

7505 Bluff Point Dr.
Suite 100
Houston, TX 77086
713.405.3354

110 Viaduct Rd
Stamford, CT 06907
203.316.8033

www.wilsonpart.com

DEMOUNTABLE - SERIES 225



2301 E. Vernon Ave.
Vernon, CA 90058
866.443.7258
323.908.5430

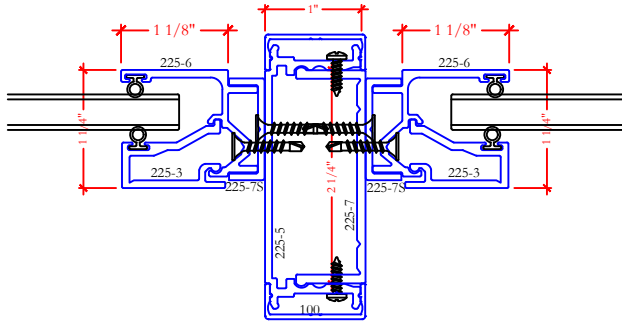
7601 Ambassador Row
Suite 102
Dallas, TX 75247
214.295.2165

7505 Bluff Point Dr.
Suite 100
Houston, TX 77086
713.405.3354

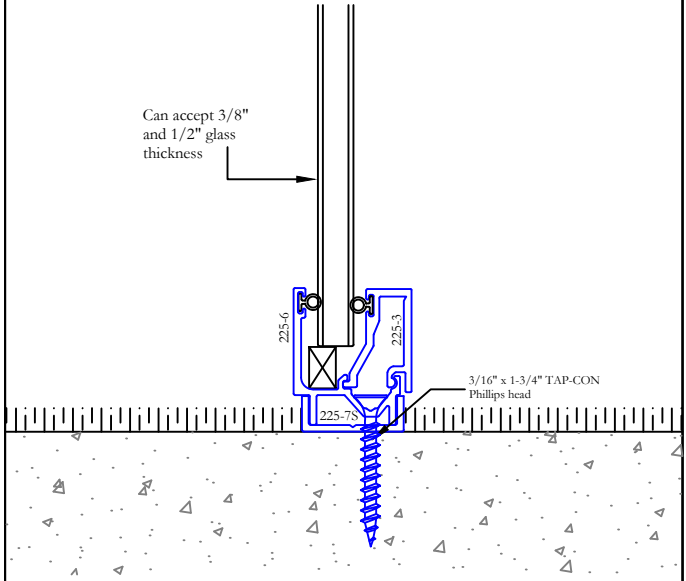
110 Viaduct Rd
Stamford, CT 06907
203.316.8033

www.wilsonpart.com

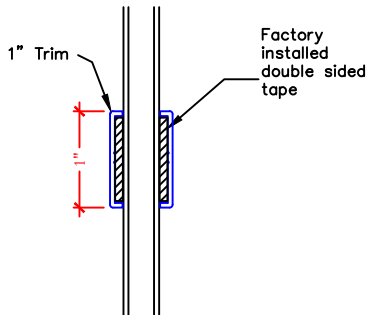
DEMOUNTABLE - SERIES 225



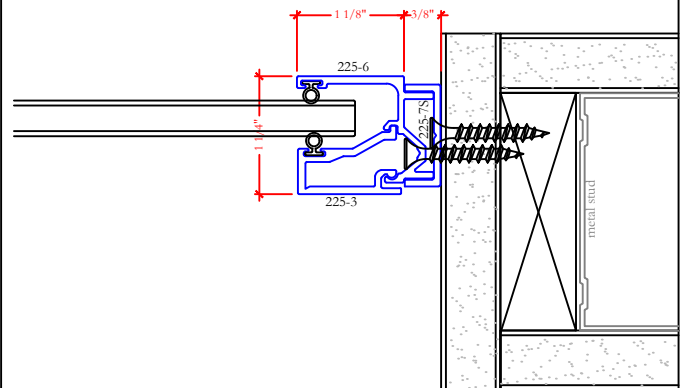
E INTERMEDIATE MULLION (OPTIONAL)
Scale: Half



F SILL
Scale: Half



G APPLIED HORIZONTAL TRIM TO GLASS
Scale: Half



H GLASS JAMB
Scale: Half

2301 E. Vernon Ave.
Vernon, CA 90058
866.443.7258
323.908.5430

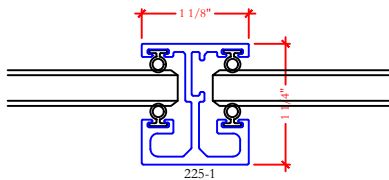
7601 Ambassador Row
Suite 102
Dallas, TX 75247
214.295.2165

7505 Bluff Point Dr.
Suite 100
Houston, TX 77086
713.405.3354

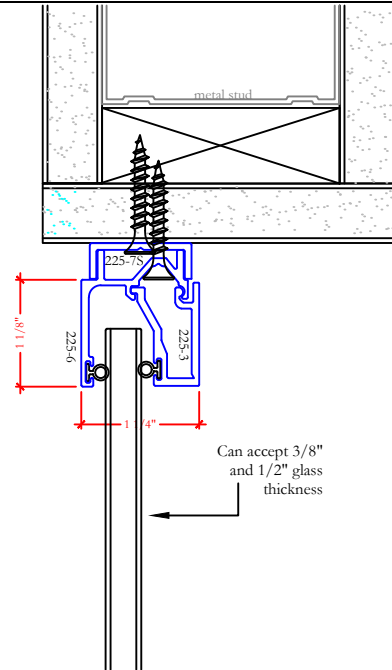
110 Viaduct Rd
Stamford, CT 06907
203.316.8033

www.wilsonpart.com

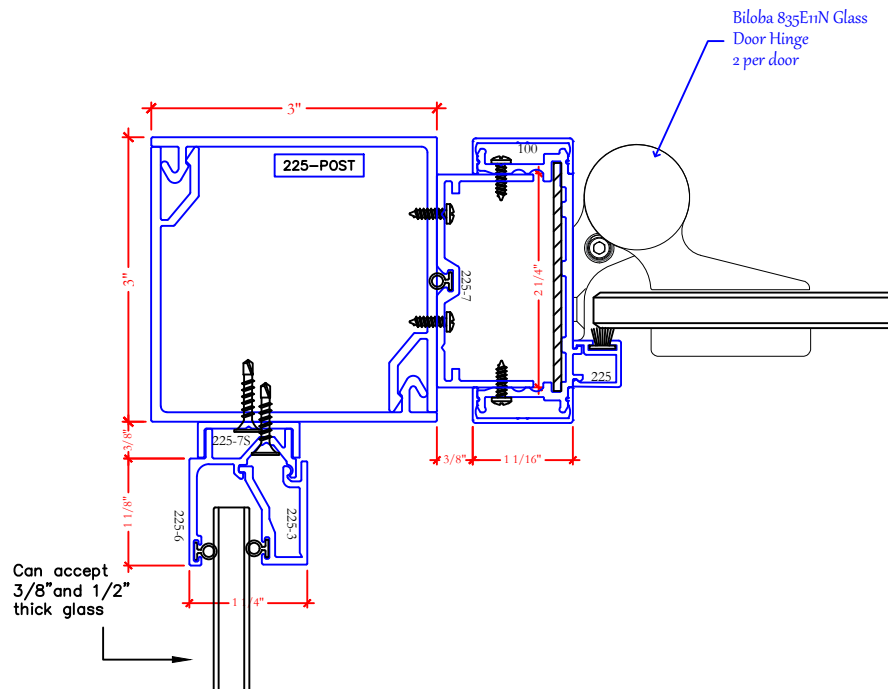
DEMOUNTABLE - SERIES 225



I INTERMEDIATE VERTICAL MULLION
Scale: Half



J GLAZING HEADER
Scale: Half



K 90° CORNER POST
Scale: Half

2301 E. Vernon Ave.
Vernon, CA 90058
866.443.7258
323.908.5430

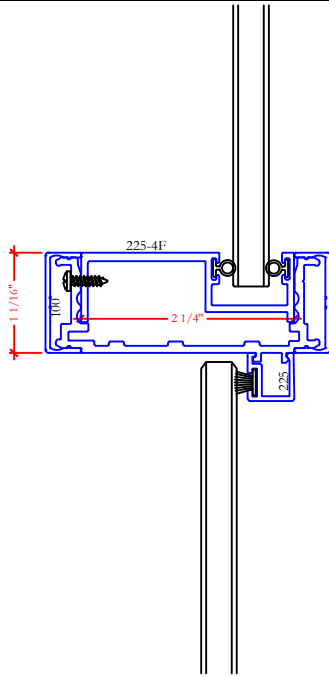
7601 Ambassador Row
Suite 102
Dallas, TX 75247
214.295.2165

7505 Bluff Point Dr.
Suite 100
Houston, TX 77086
713.405.3354

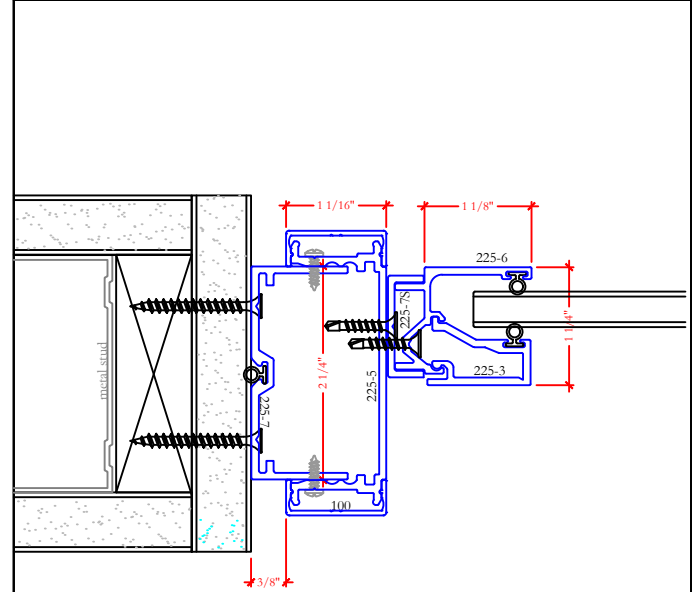
110 Viaduct Rd
Stamford, CT 06907
203.316.8033

www.wilsonpart.com

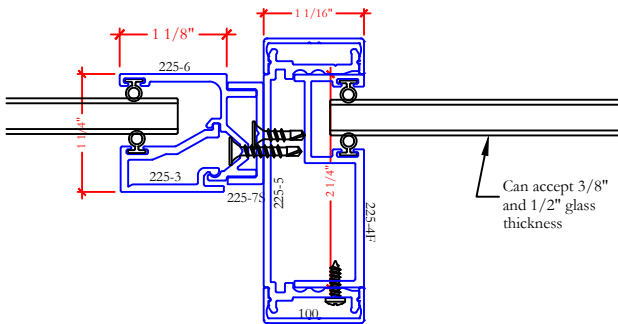
DEMOUNTABLE - SERIES 225



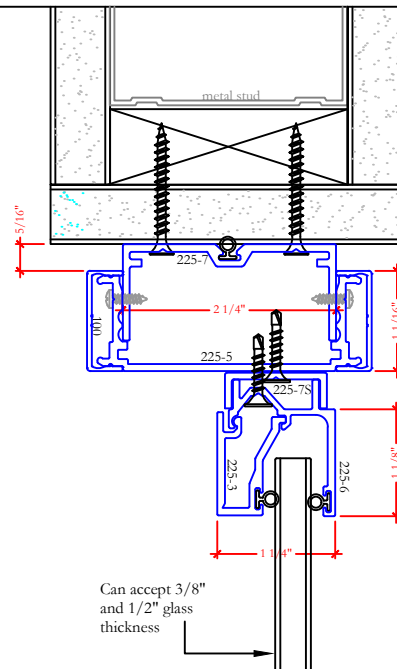
L TRANSM HEADER
Scale: Half



M TRANSM JAMB AT DRYWALL
Scale: Half



N TRANSM JAMB AT SIDELIGHT
Scale: Half



O TRANSM HEADER AT CEILING
Scale: Half

2301 E. Vernon Ave.
Vernon, CA 90058
866.443.7258
323.908.5430

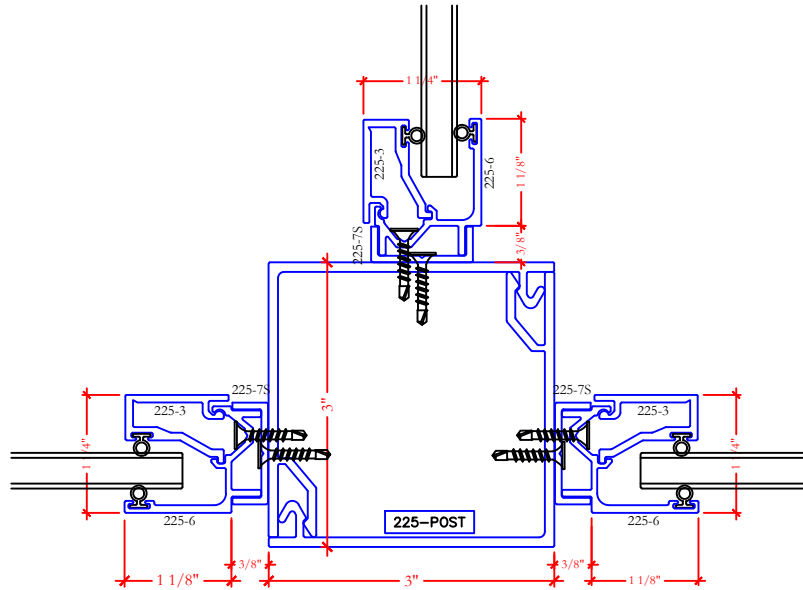
7601 Ambassador Row
Suite 102
Dallas, TX 75247
214.295.2165

7505 Bluff Point Dr.
Suite 100
Houston, TX 77086
713.405.3354

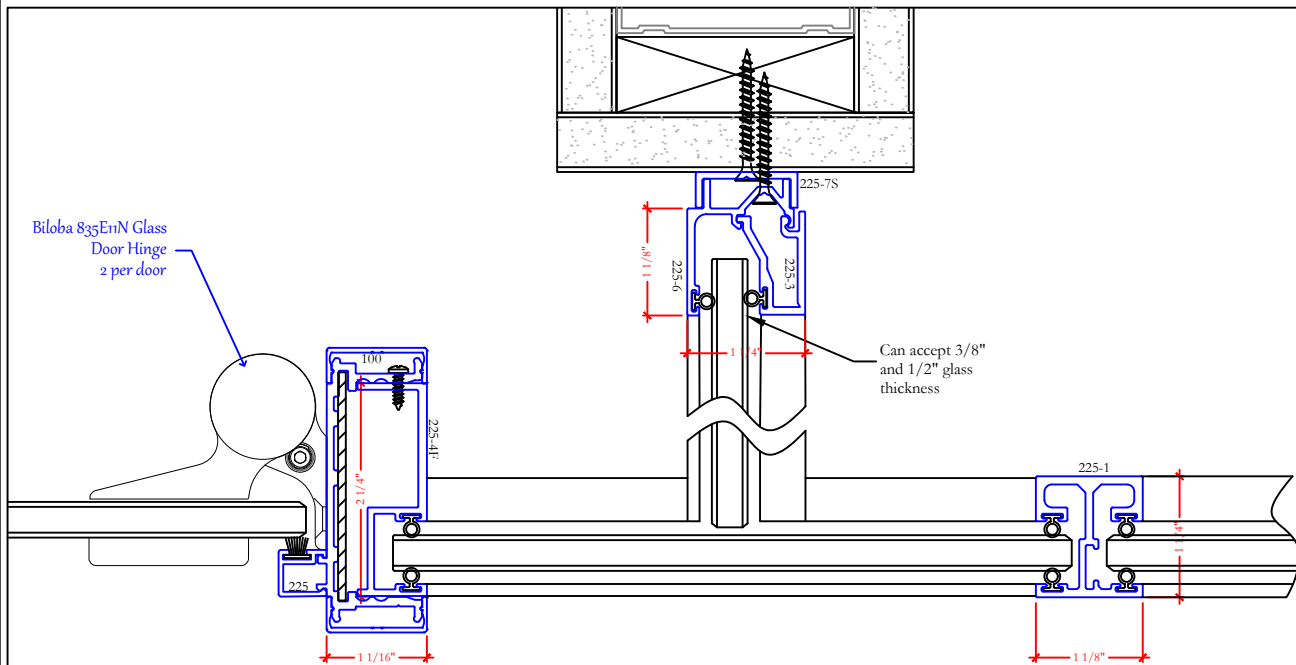
110 Viaduct Rd
Stamford, CT 06907
203.316.8033

www.wilsonpart.com

DEMOUNTABLE - SERIES 225



P 3-WAY POST
Scale: Half



Q 3-WAY BUTT JOINTED INTERSECTION
Scale: Half

2301 E. Vernon Ave.
Vernon, CA 90058
866.443.7258
323.908.5430

7601 Ambassador Row
Suite 102
Dallas, TX 75247
214.295.2165

7505 Bluff Point Dr.
Suite 100
Houston, TX 77086
713.405.3354

110 Viaduct Rd
Stamford, CT 06907
203.316.8033

www.wilsonpart.com

DEMOUNTABLE - SERIES 225

