



# Prefinished Interior Aluminum Doors, Frames, Sliders and Glazing Systems



**WilsonPartitions**

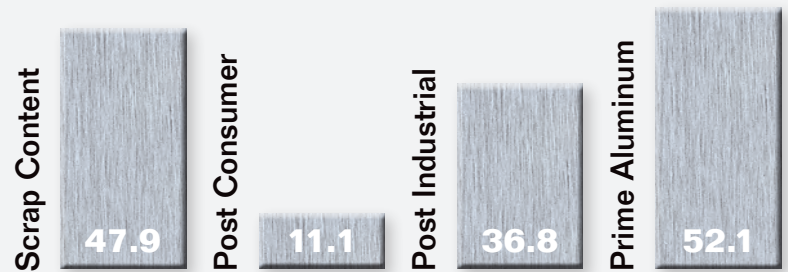
[www.wilsonpart.com](http://www.wilsonpart.com)

# The Source for Interior Aluminum Framing Systems

**Wilson Partitions** has over 40 years of experience providing prefinished interior aluminum doors, frames, sliders and glazing systems for the most sophisticated commercial interior projects. Innovative designs, superior quality and unparalleled customer service set Wilson apart as the leader in interior aluminum framing systems.

For more information you can contact any of our three manufacturing facilities or visit our website at [www.wilsonpart.com](http://www.wilsonpart.com).

**Wilson Partitions** products offer credits towards LEED construction guidelines. The weighted scrap content of our extrusions is 47.9 percent. This includes a post consumer scrap content of 11.1 percent and a post industrial scrap content of 36.8 percent. The remaining 52.1 percent of the extrusions is prime aluminum. A formal project specific letter can be provided upon request.

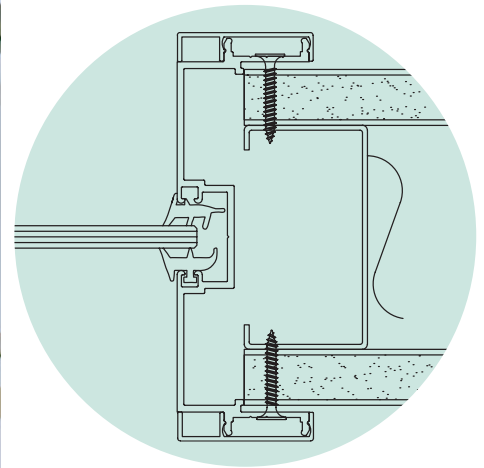


**West Coast** 2301 E. Vernon Avenue • Vernon, CA 90058  
(866) 443-7258 • Fax (323) 908-5451

**East Coast** 110 Viaduct Road • Stamford, CT 06907  
(203) 316-8033 • Fax (203) 316-0019

**Central** 7601 Ambassador Row, Suite 102 • Dallas, TX 75247  
(214) 295-2165 • Fax (214) 496-0156

# Snap-On Trim Profile System

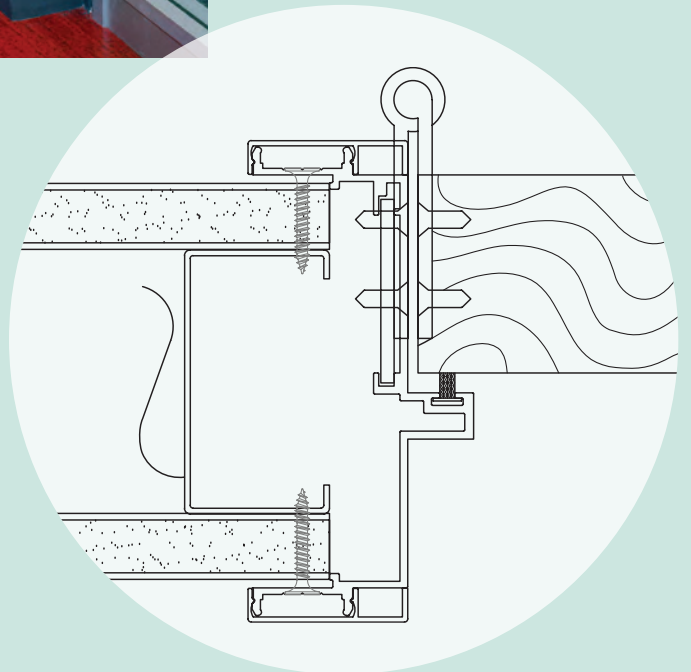


## Our Most Versatile System

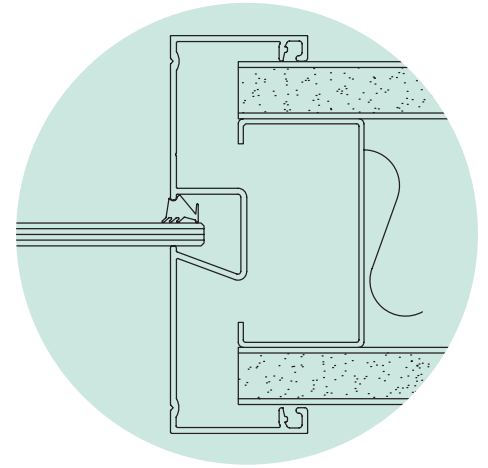
- Complete systems for 3-1/2", 3-3/4", 4-5/8", 4-7/8", 5", 5-1/4", 5-1/2" and 7-1/4" partitions
- Expandable frames for 3" to 9-1/2" partitions
- Most systems will accommodate 1/4", 3/8", and 1/2" glass
- 20 - 90 minute ratings available
- No exposed fasteners
- Available in 1", 1-1/2", 2", 3", 4" and 6" trim
- Able to be installed after the walls are finished which makes it perfect for time-sensitive projects

### Standard Finishes:

Clear Anodized  
AB-6 Dark Bronze Anodized  
AB-8 Black Anodized  
Bronze Paint  
Black Paint  
White Paint



# Projected Profile System

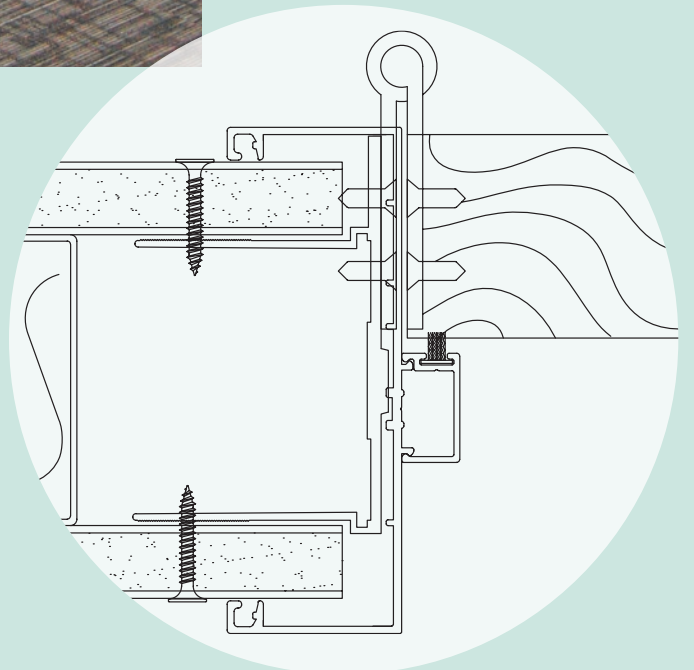


## The Original Aluminum Frame

- Complete systems for 3-3/4" and 4-7/8" partitions
- Will accommodate 1/4" and 3/8" glass
- Preferred by many installers due to minimal parts and pieces.

### Standard Finishes:

Clear Anodized  
Bronze Paint  
Black Paint



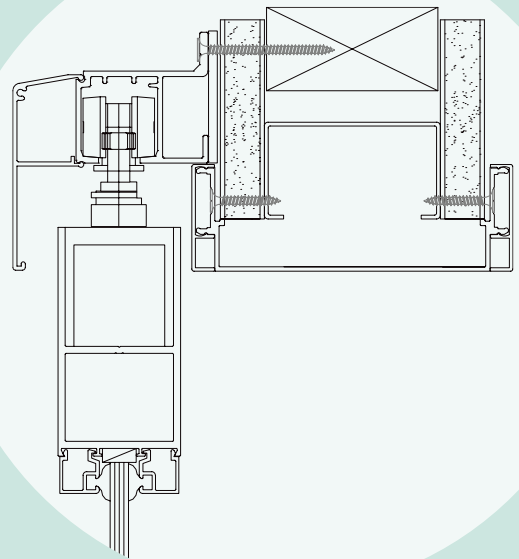
# Barn Door Sliders



Scan the QR Code to see the soft open and close operation

## Ideal For Saving Space

- Compatible with all of our framing systems
- Soft open and close hardware included
- Meets ADA 5lb. open force requirement
- For use with wide stile aluminum doors by Wilson Partitions or wood doors by others
- Locking hardware available
- No threshold required



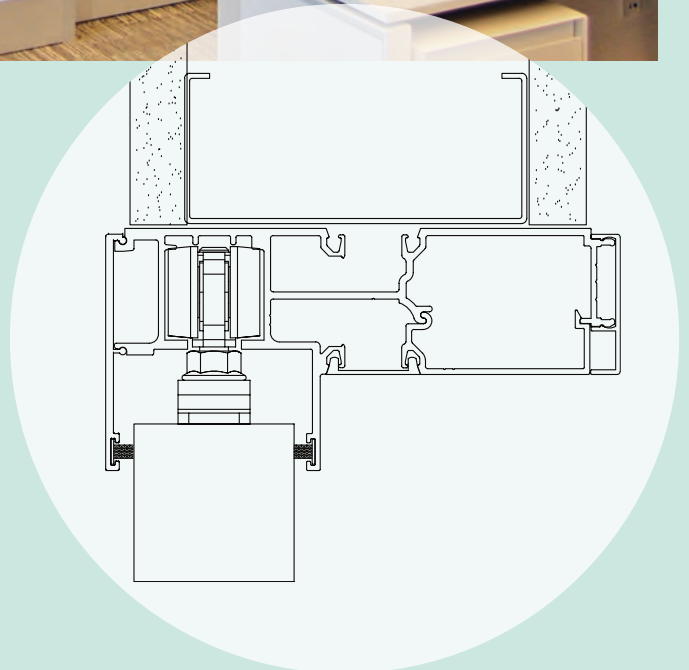
# Flush Slider System



Scan the QR Code to see the soft open and close operation

## The Ultimate in Linear Design

- Easily interfaces with our Snap-On Trim systems
- Available for 4-7/8" partitions
- For use with narrow, medium or wide stile doors by Wilson Partitions or wood doors by others
- Soft open and close hardware included
- Meets ADA 5lb. open force requirement
- No threshold required

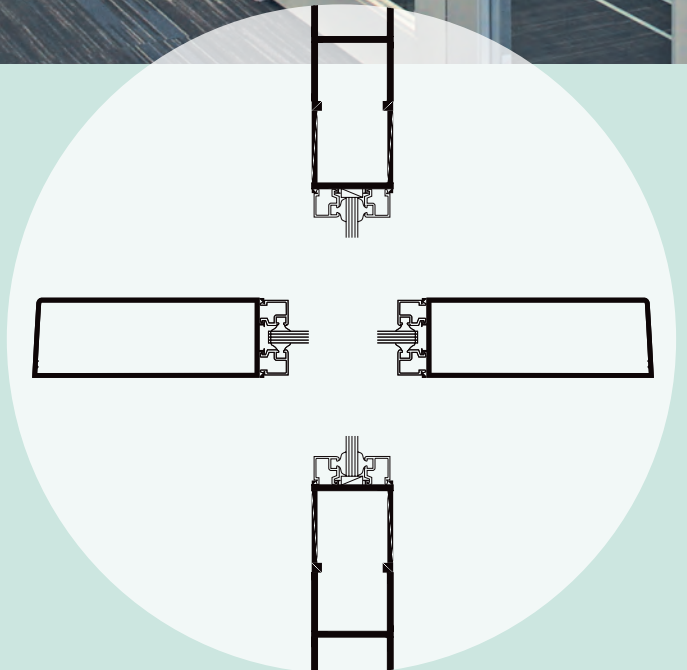


# Aluminum Doors



## Bring More Light into Your Interior

- Standard narrow (2-1/2"), medium (4") and wide stile (5-1/2")
- 10" bottom rails available
- Intermediate horizontals available
- Shipped prepped for most hardware for simple installation
- Prefinished to match our framing



# Available Finishes

## Anodized Finishes



Architects and designers specify Wilson Partitions anodized aluminum finishes for their strength, durability, beauty and superior quality. Our in-house anodizing line offers nine different finishes.

Clear AC-2

Light Champagne AB-1

Champagne AB-2

Light Bronze AB-3

Medium Bronze AB-4

Medium Bronze AB-5

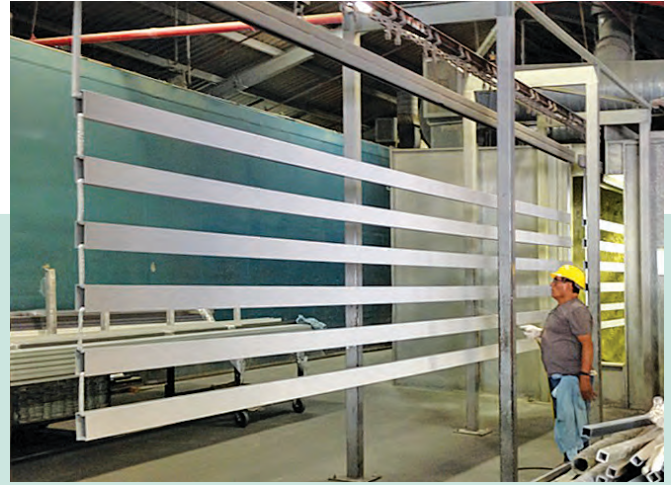
Dark Bronze AB-6

Dark Bronze AB-7

Black AB-8



## Painted Finishes



Wilson Partitions in-house paint line offers industry standard white, bronze and black painted finishes. We welcome all custom color painted finishes as well.

Our eco-friendly paint line captures 100-percent of VOC's (Volatile Organic Compounds), which are funneled into a thermal oxidizer destroying 99.3-percent of all VOC's during the painting process.

\*Note: Colors may vary and are limited to commercial tolerances. Samples pictured are for reference only, actual samples are available on request.



White

Bronze

Black



# WilsonPartitions®

**West Coast** 2301 E. Vernon Avenue • Vernon, CA 90058  
(866) 443-7258 • Fax (323) 908-5451

**East Coast** 110 Viaduct Road • Stamford, CT 06907  
(203) 316-8033 • Fax (203) 316-0019

**Central** 7601 Ambassador Row, Suite 102 • Dallas, TX 75247  
(214) 295-2165 • Fax (214) 496-0156

[www.wilsonpart.com](http://www.wilsonpart.com)