

2301 E. Vernon Ave.
Vernon, CA 90058
866.443.7258
323.908.5430
323.908.5451 Fax

7601 Ambassador Row
Suite 102
Dallas, TX 75247
214.295.2165
214.496.0156 Fax

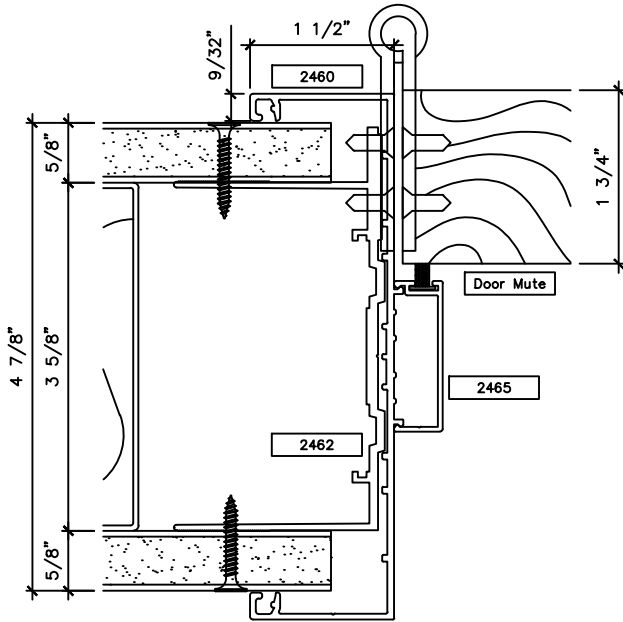
110 Viaduct Rd
Stamford, CT 06907
203.316.8033
203.316.0019 Fax

www.wilsonpart.com

PROJECTED - SERIES 2400 FOR A 4 7/8" PARTITION

NOTE:

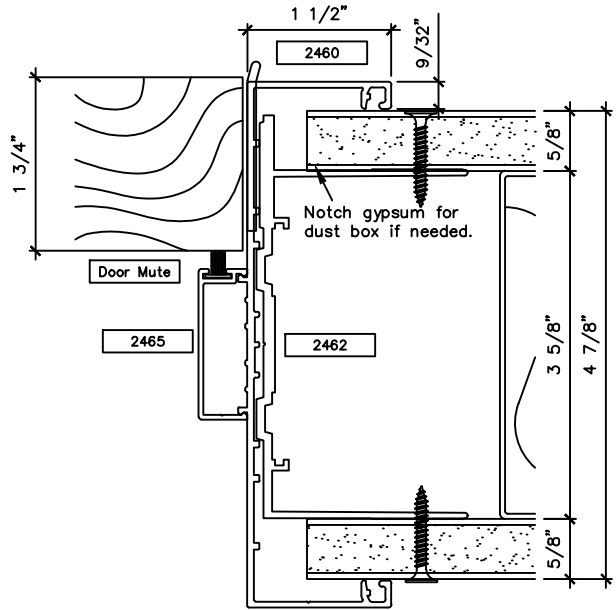
4 1/2" x 4 1/2" x .134ga
square hinges REQUIRED.



A

HINGE JAMB

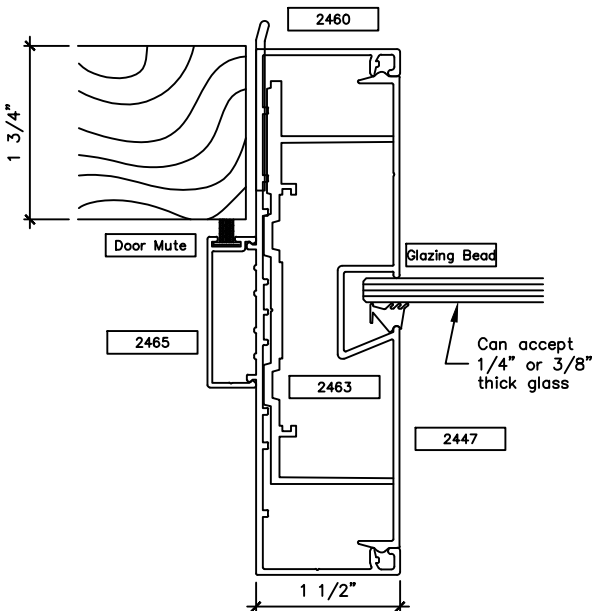
Scale: Half Dwg File: S2400_01.dwg



B

STRIKE JAMB

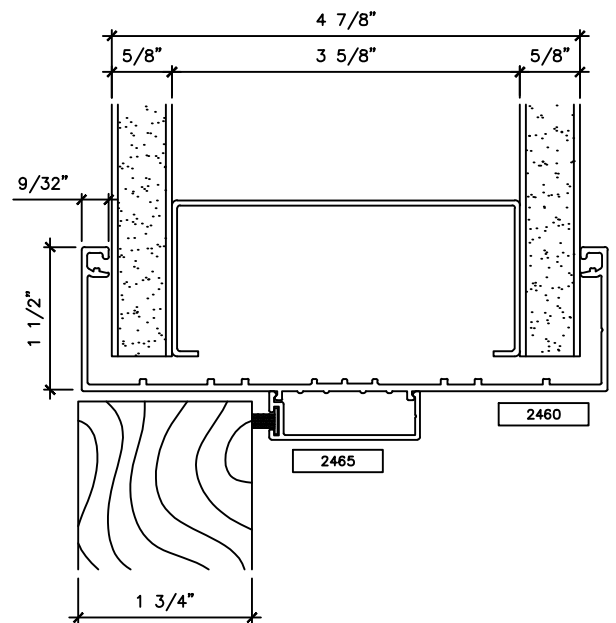
Scale: Half Dwg File: S2400_01.dwg



C

STRIKE JAMB WITH SIDELITE

Scale: Half Dwg File: S2400_01.dwg



D

DOOR HEADER

Scale: Half Dwg File: S2400_01.dwg

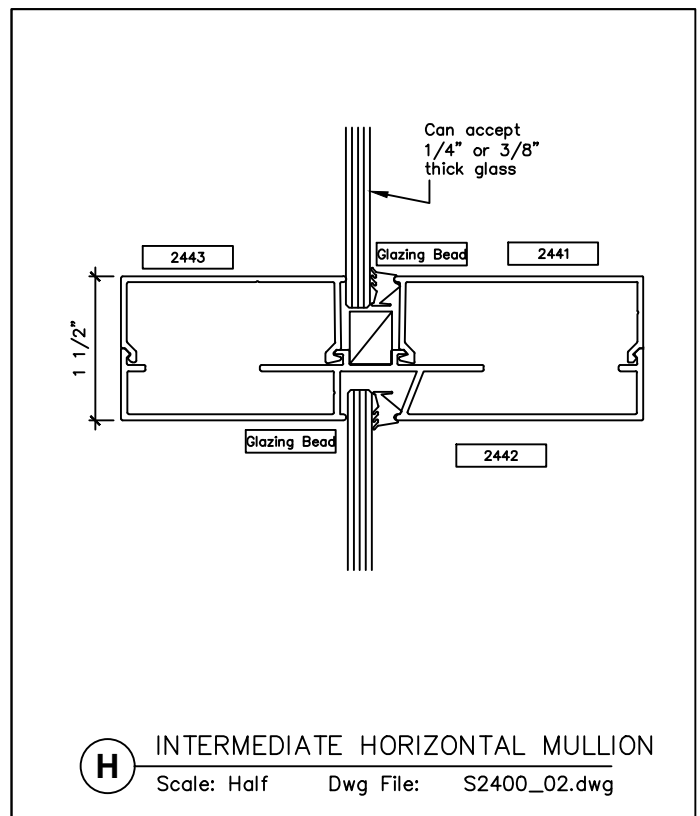
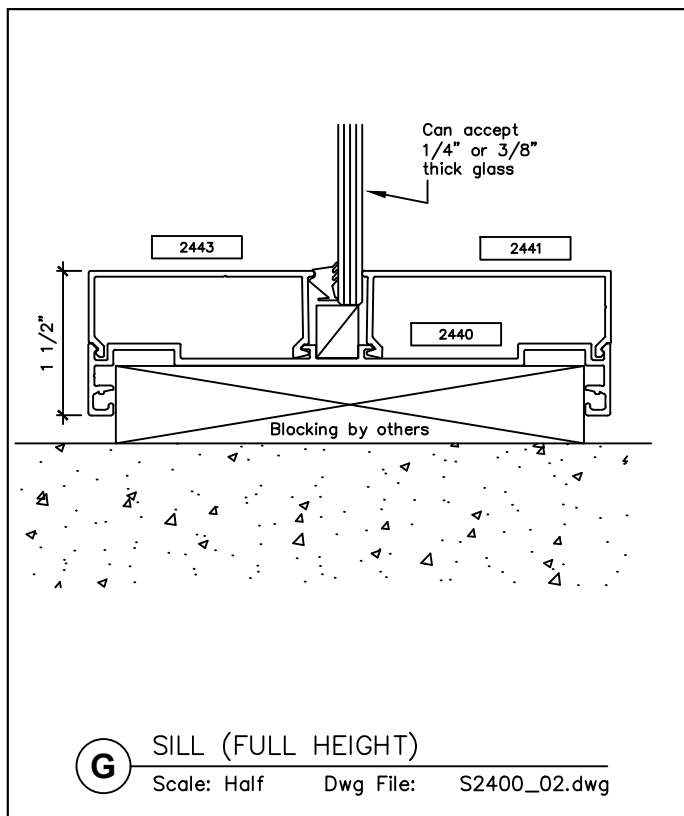
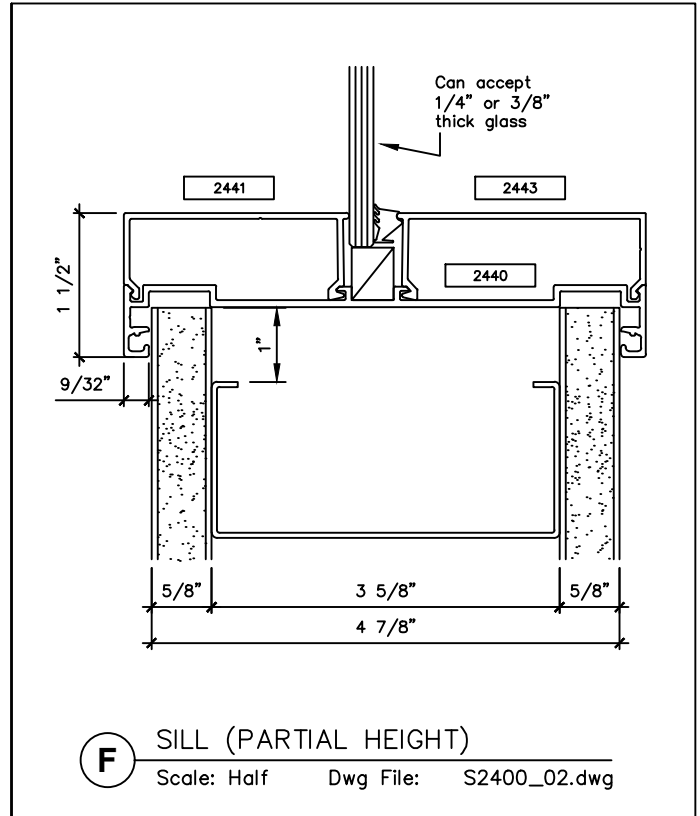
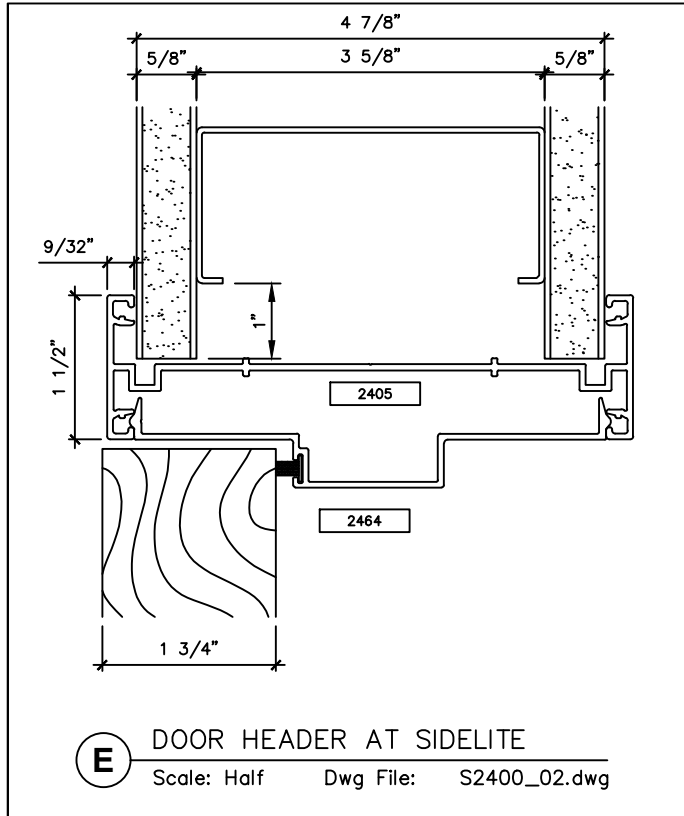
2301 E. Vernon Ave.
Vernon, CA 90058
866.443.7258
323.908.5430
323.908.5451 Fax

7601 Ambassador Row
Suite 102
Dallas, TX 75247
214.295.2165
214.496.0156 Fax

110 Viaduct Rd
Stamford, CT 06907
203.316.8033
203.316.0019 Fax

www.wilsonpart.com

PROJECTED - SERIES 2400 FOR A 4 7/8" PARTITION





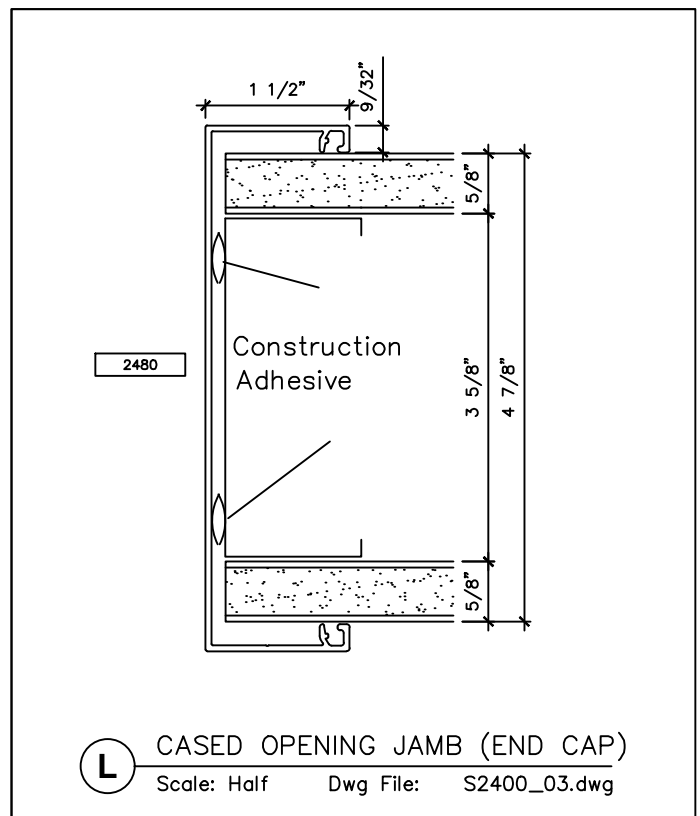
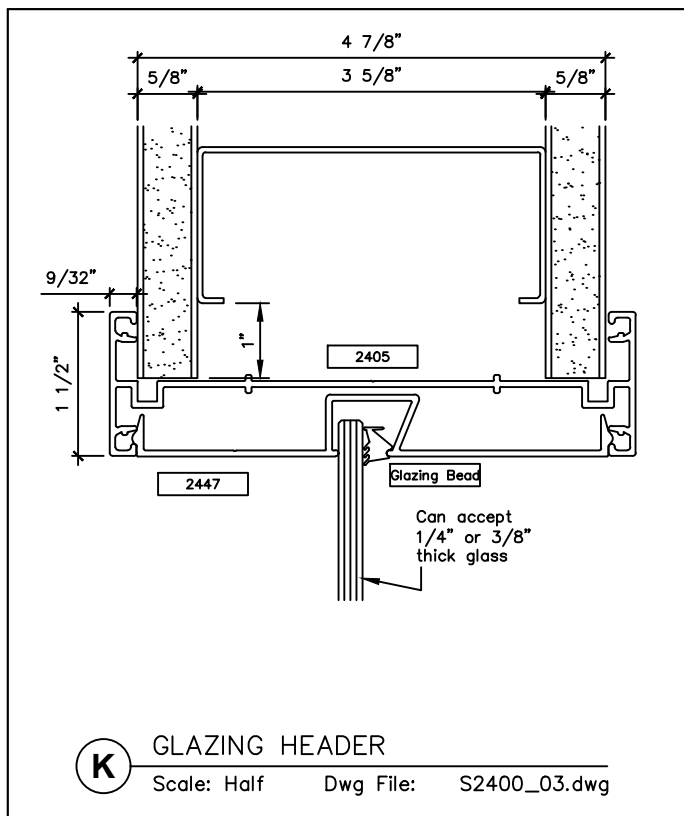
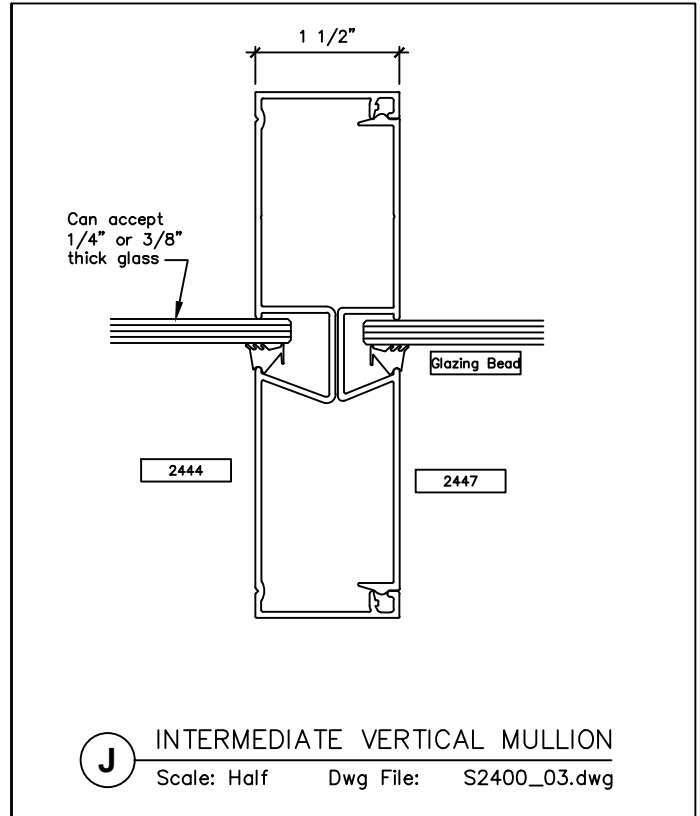
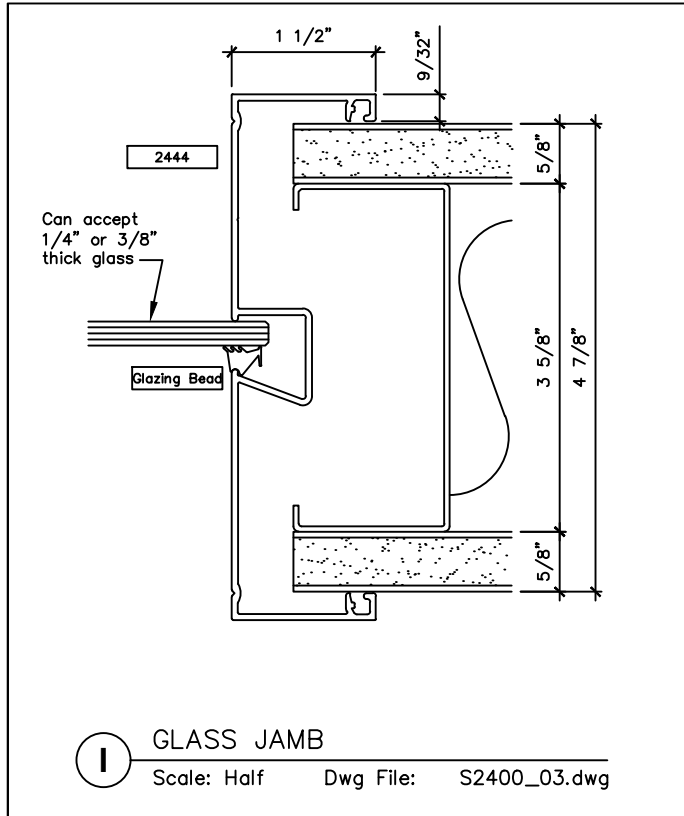
2301 E. Vernon Ave.
Vernon, CA 90058
866.443.7258
323.908.5430
323.908.5451 Fax

7601 Ambassador Row
Suite 102
Dallas, TX 75247
214.295.2165
214.496.0156 Fax

110 Viaduct Rd
Stamford, CT 06907
203.316.8033
203.316.0019 Fax

www.wilsonpart.com

PROJECTED - SERIES 2400 FOR A 4 7/8" PARTITION



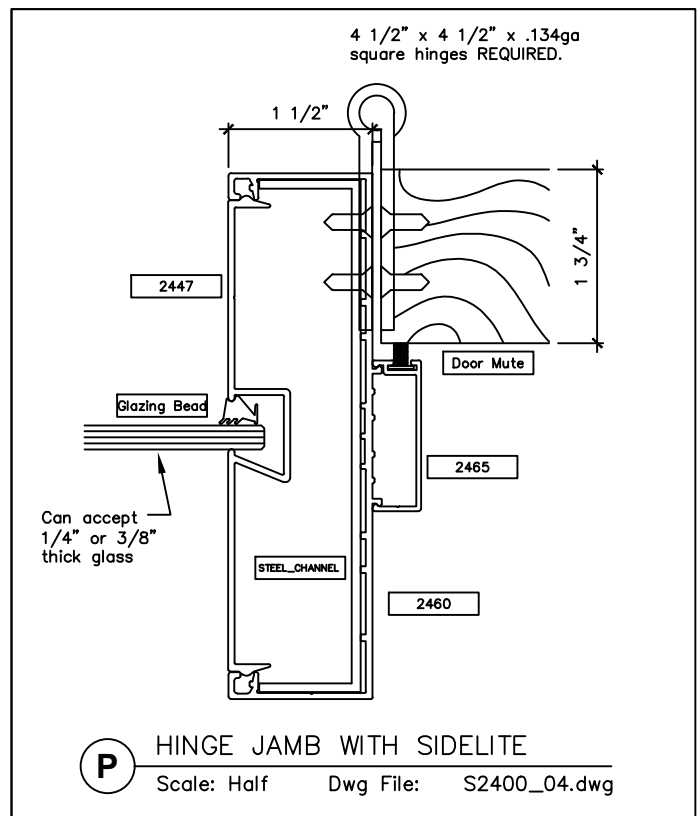
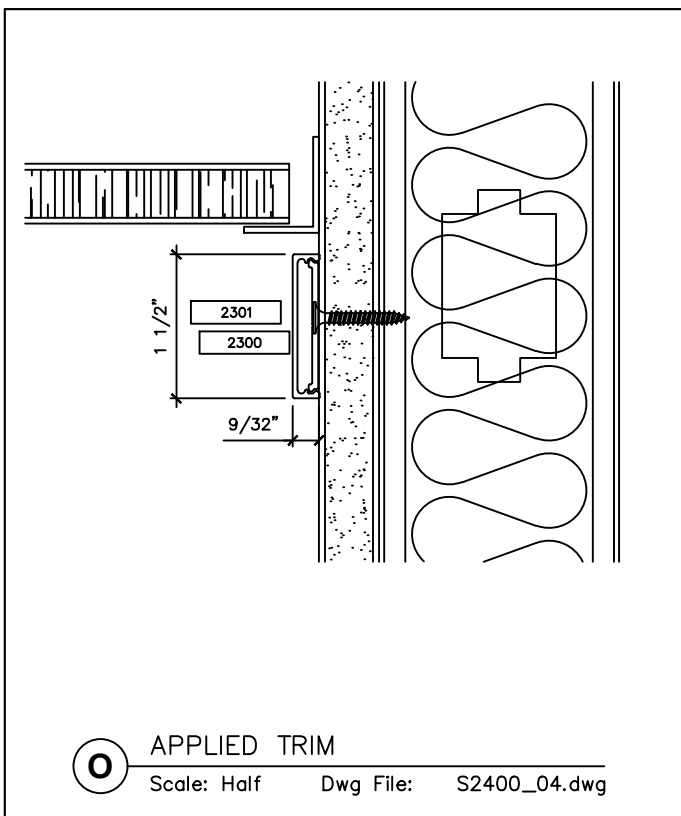
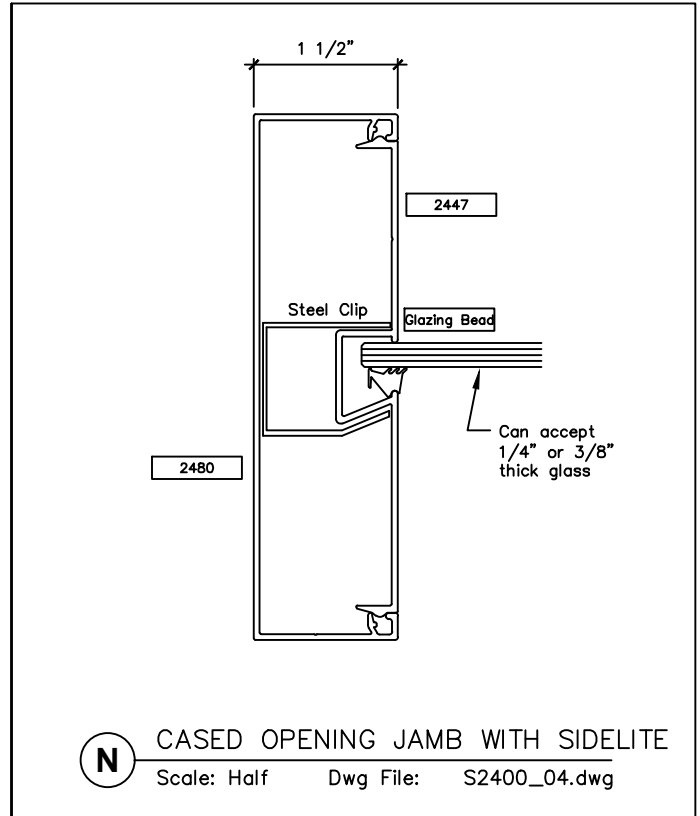
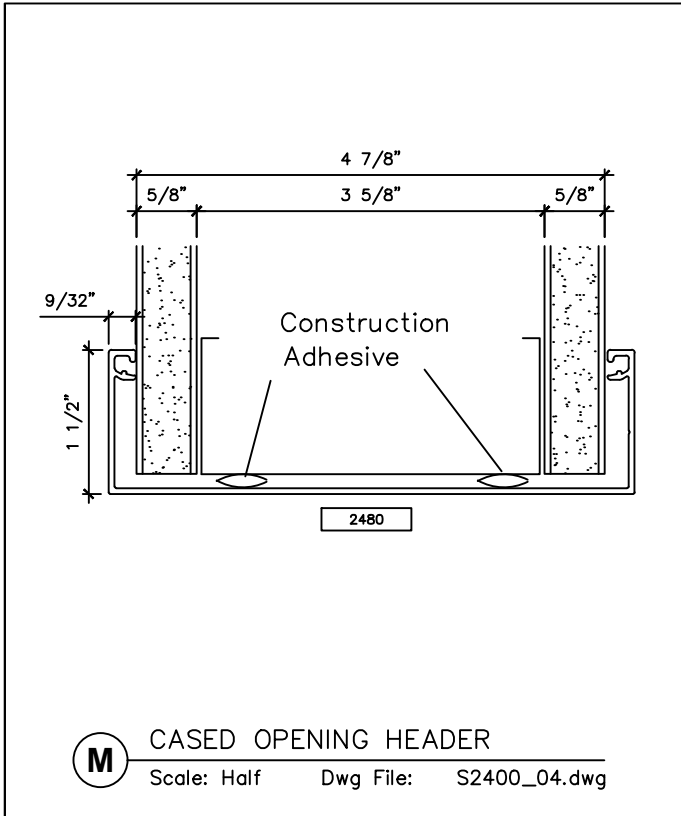
2301 E. Vernon Ave.
Vernon, CA 90058
866.443.7258
323.908.5430
323.908.5451 Fax

7601 Ambassador Row
Suite 102
Dallas, TX 75247
214.295.2165
214.496.0156 Fax

110 Viaduct Rd
Stamford, CT 06907
203.316.8033
203.316.0019 Fax

www.wilsonpart.com

PROJECTED - SERIES 2400 FOR A 4 7/8" PARTITION





2301 E. Vernon Ave.
Vernon, CA 90058
866.443.7258
323.908.5430
323.908.5451 Fax

7601 Ambassador Row
Suite 102
Dallas, TX 75247
214.295.2165
214.496.0156 Fax

110 Viaduct Rd
Stamford, CT 06907
203.316.8033
203.316.0019 Fax

www.wilsonpart.com

PROJECTED - SERIES 2400 FOR A 4 7/8" PARTITION

