

2301 E. Vernon Ave.
 Vernon, CA 90058
 866.443.7258
 323.908.5430
 323.908.5451 Fax

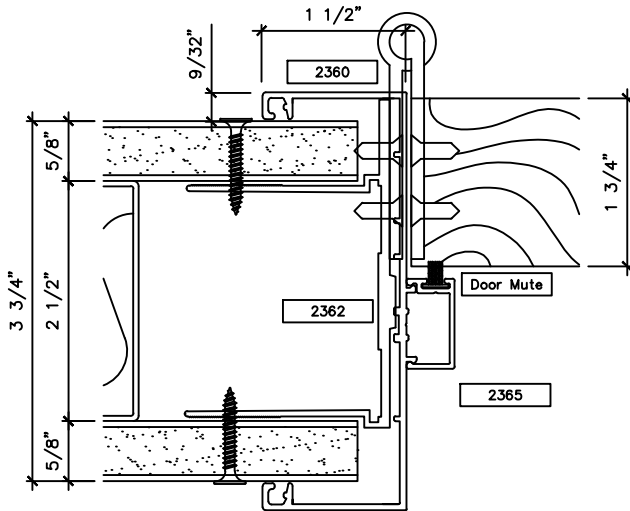
 7601 Ambassador Row
 Suite 102
 Dallas, TX 75247
 214.295.2165
 214.496.0156 Fax

 110 Viaduct Rd
 Stamford, CT 06907
 203.316.8033
 203.316.0019 Fax

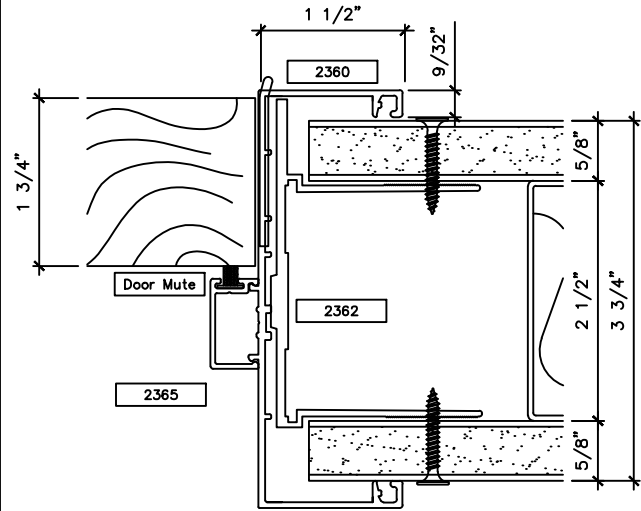
www.wilsonpart.com

PROJECTED - SERIES 2300 FOR A 3 3/4" PARTITION

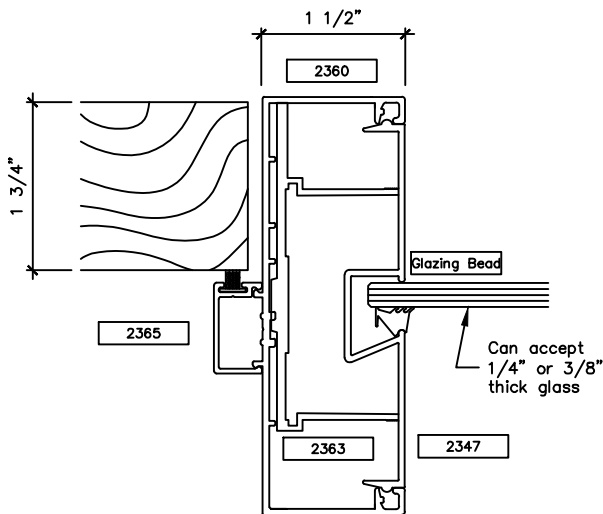
NOTE:

 4 1/2" x 4 1/2" x .134ga
 square hinges REQUIRED.

A HINGE JAMB

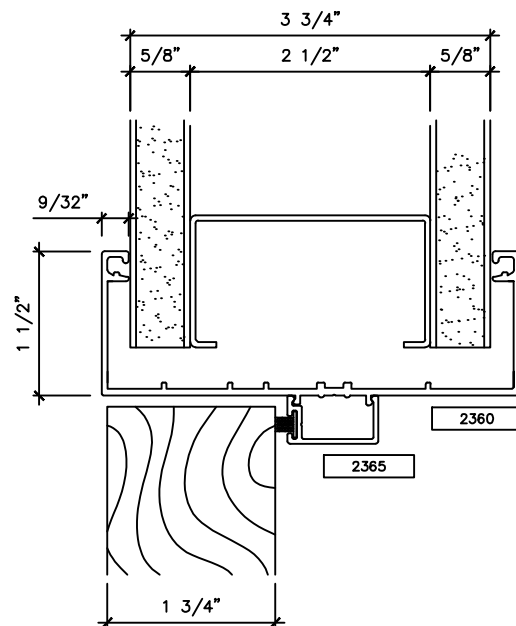
Scale: Half Dwg File: S2300_01.dwg


B STRIKE JAMB

Scale: Half Dwg File: S2300_01.dwg

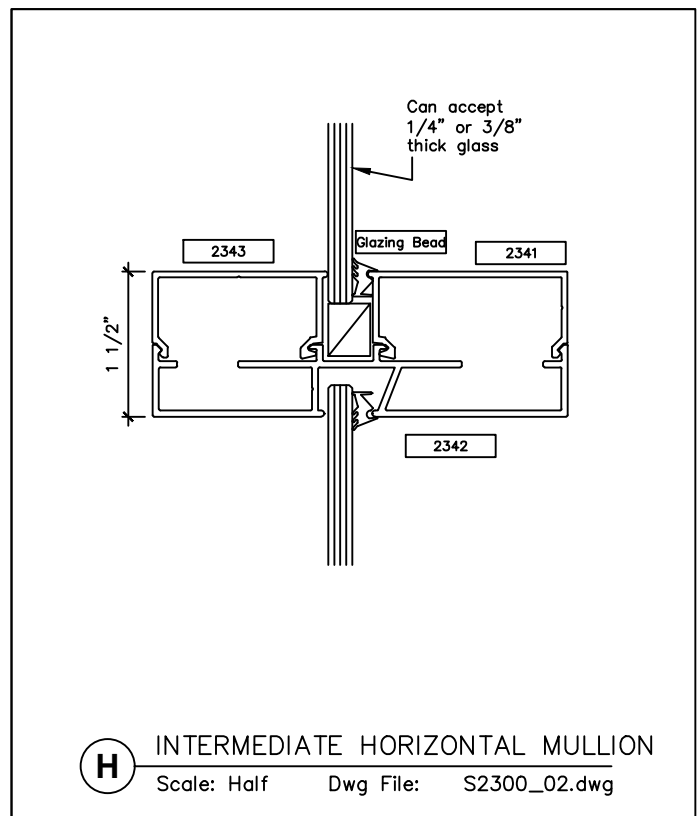
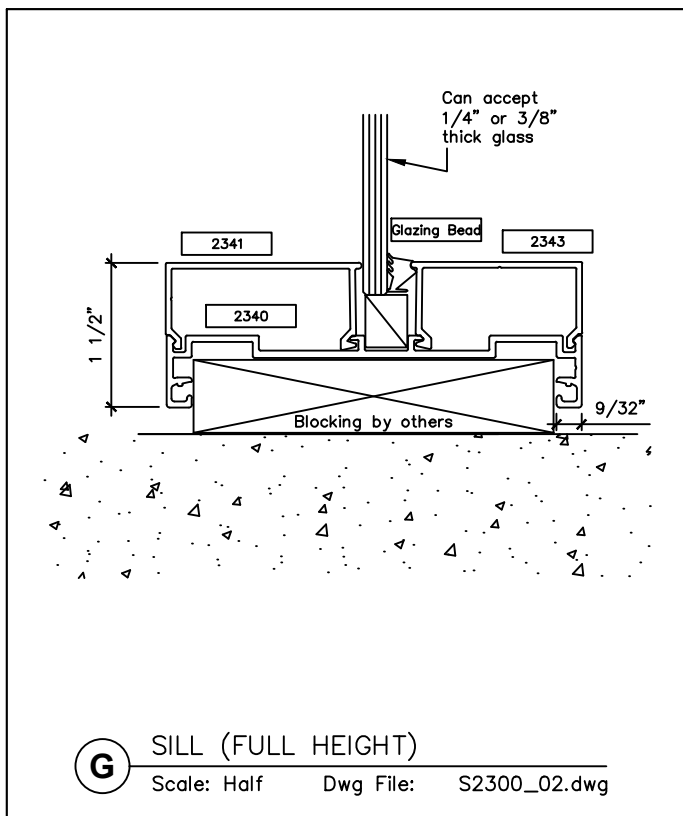
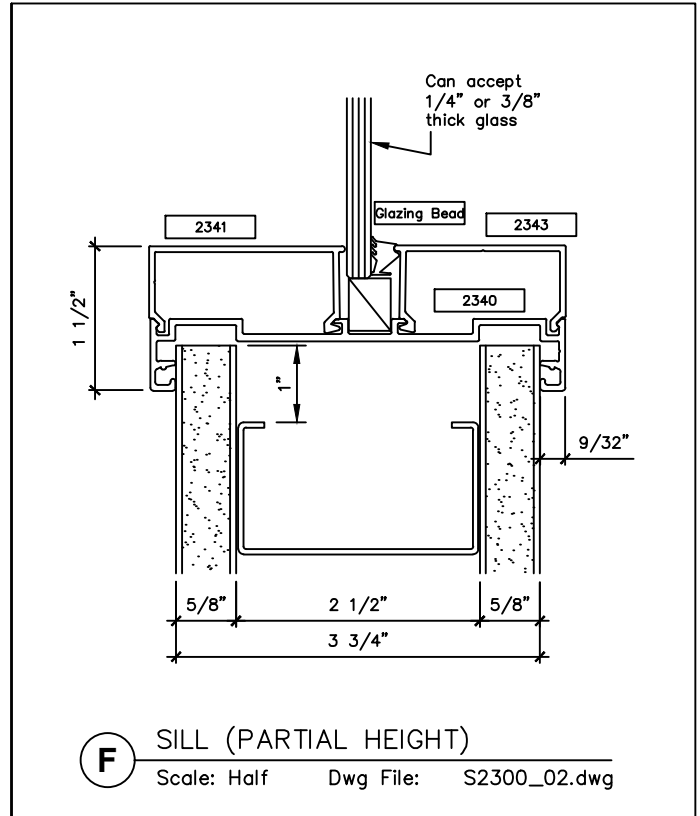
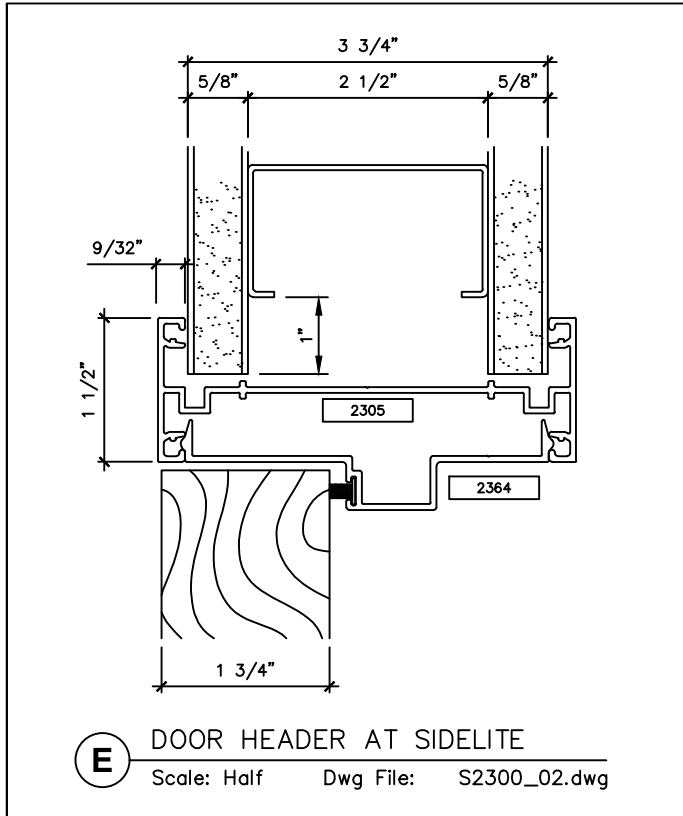

C STRIKE JAMB WITH SIDELITE

Scale: Half Dwg File: S2300_01.dwg


D DOOR HEADER

Scale: Half Dwg File: S2300_01.dwg

PROJECTED - SERIES 2300 FOR A 3 3/4" PARTITION





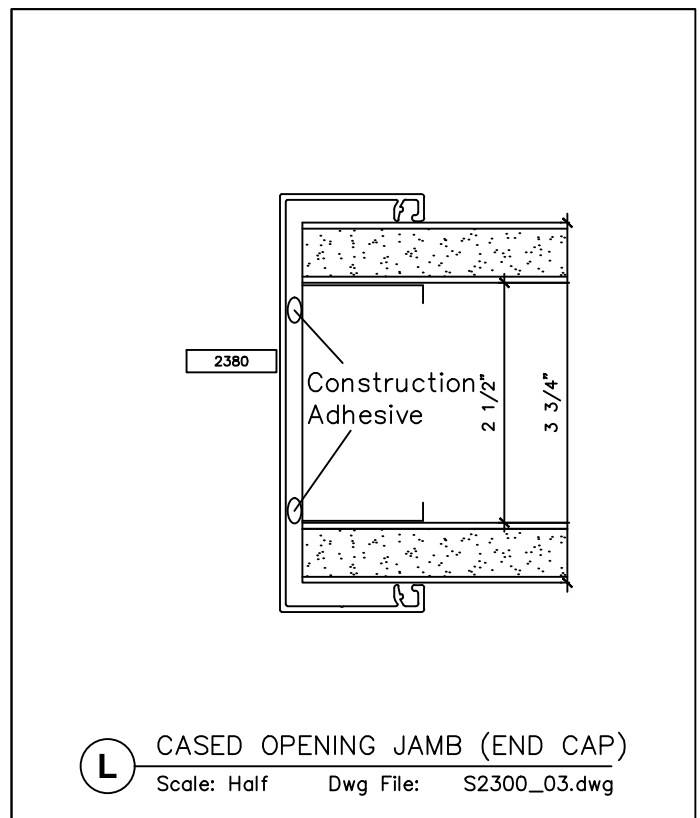
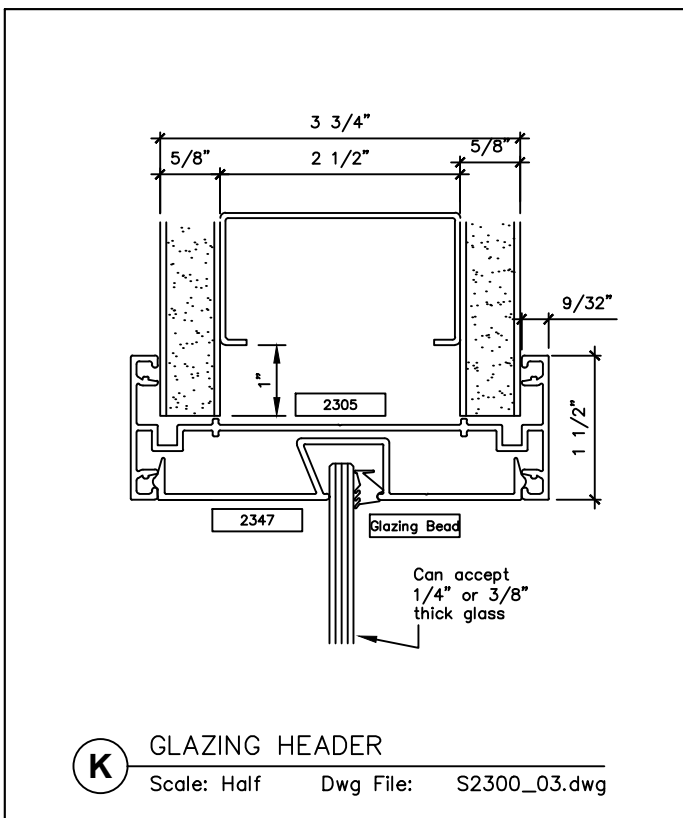
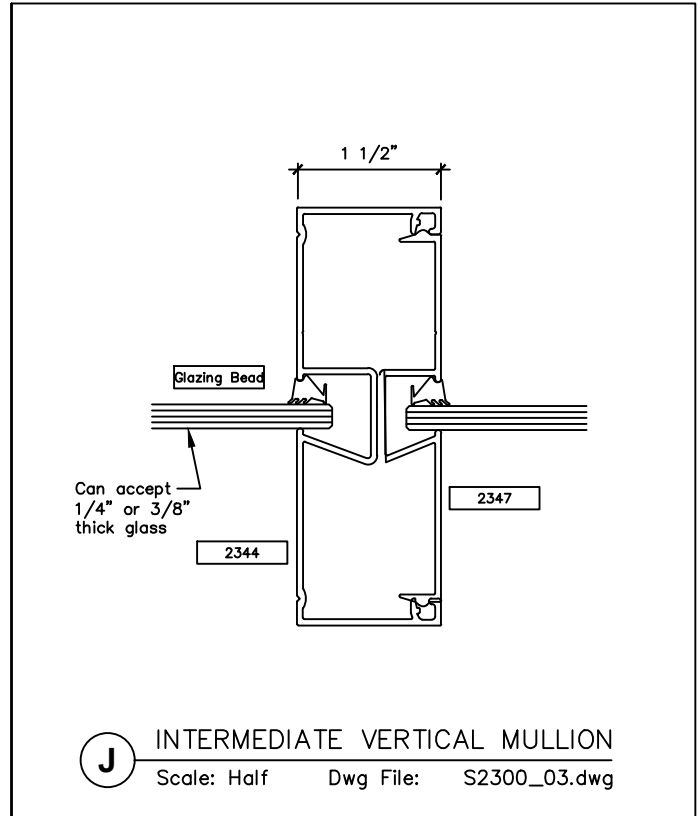
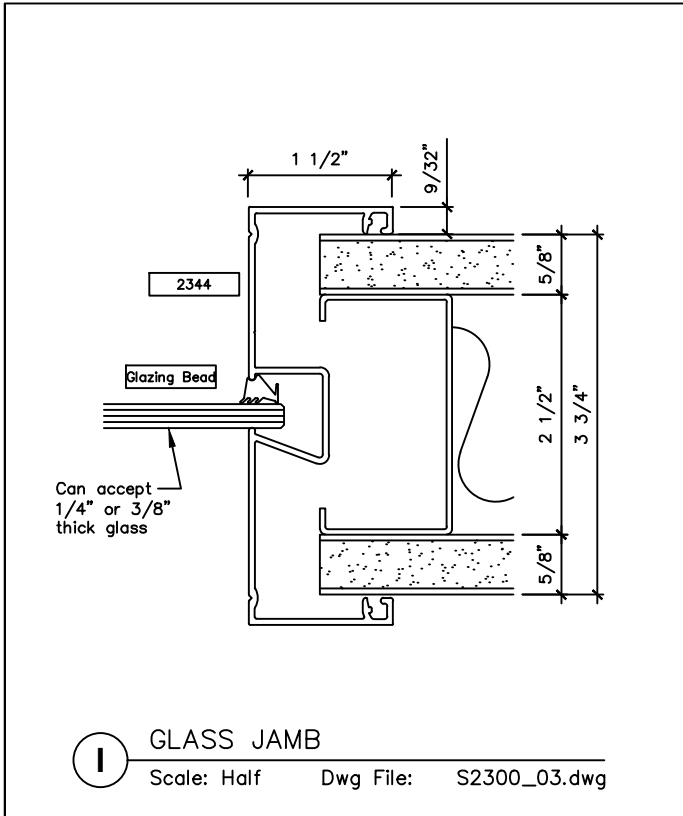
2301 E. Vernon Ave.
Vernon, CA 90058
866.443.7258
323.908.5430
323.908.5451 Fax

7601 Ambassador Row
Suite 102
Dallas, TX 75247
214.295.2165
214.496.0156 Fax

110 Viaduct Rd
Stamford, CT 06907
203.316.8033
203.316.0019 Fax

www.wilsonpart.com

PROJECTED - SERIES 2300 FOR A 3 3/4" PARTITION



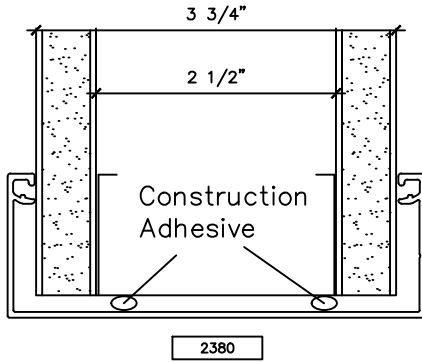
2301 E. Vernon Ave.
Vernon, CA 90058
866.443.7258
323.908.5430
323.908.5451 Fax

7601 Ambassador Row
Suite 102
Dallas, TX 75247
214.295.2165
214.496.0156 Fax

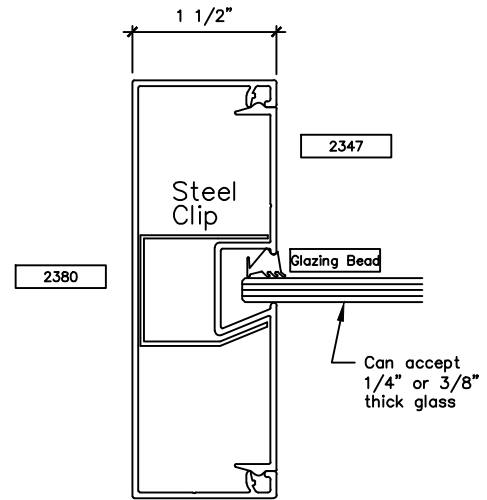
110 Viaduct Rd
Stamford, CT 06907
203.316.8033
203.316.0019 Fax

www.wilsonpart.com

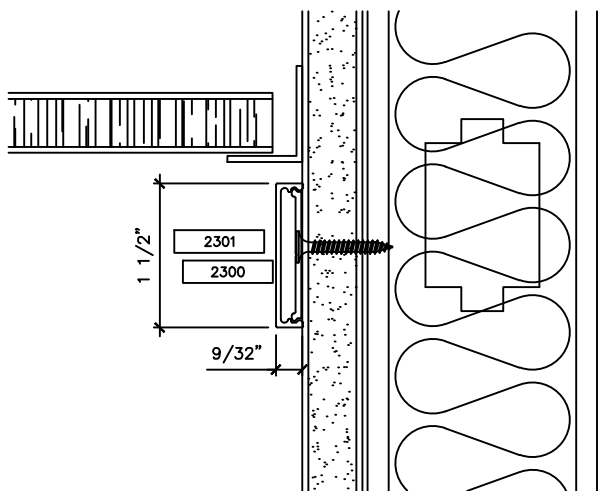
PROJECTED - SERIES 2300 FOR A 3 3/4" PARTITION



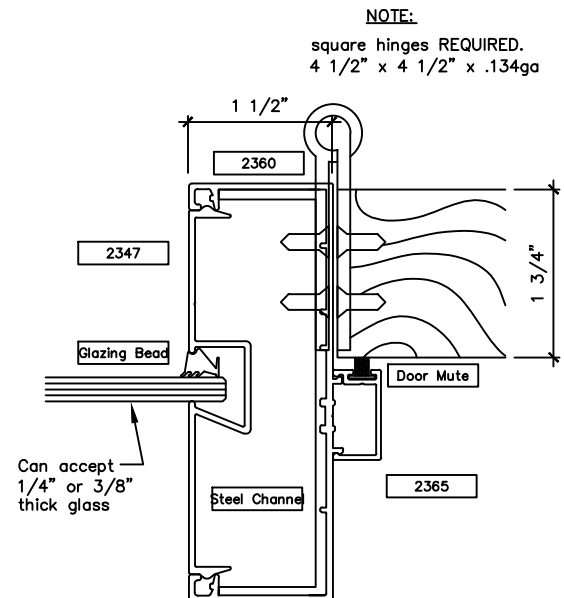
M CASED OPENING HEADER
Scale: Half Dwg File: S2300_04.dwg



N CASED OPENING JAMB WITH SIDELITE
Scale: Half Dwg File: S2300_04.dwg



O APPLIED TRIM
Scale: Half Dwg File: S2300_04.dwg



P HINGE JAMB WITH SIDELITE
Scale: Half Dwg File: S2300_04.dwg



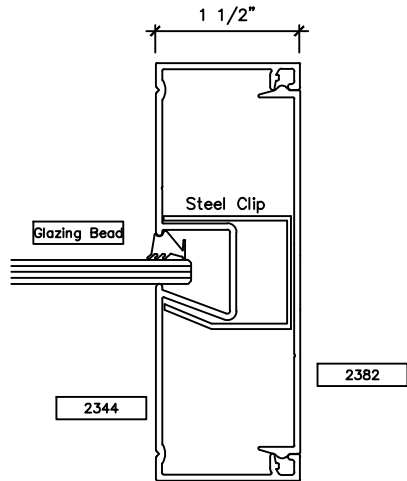
2301 E. Vernon Ave.
Vernon, CA 90058
866.443.7258
323.908.5430
323.908.5451 Fax

7601 Ambassador Row
Suite 102
Dallas, TX 75247
214.295.2165
214.496.0156 Fax

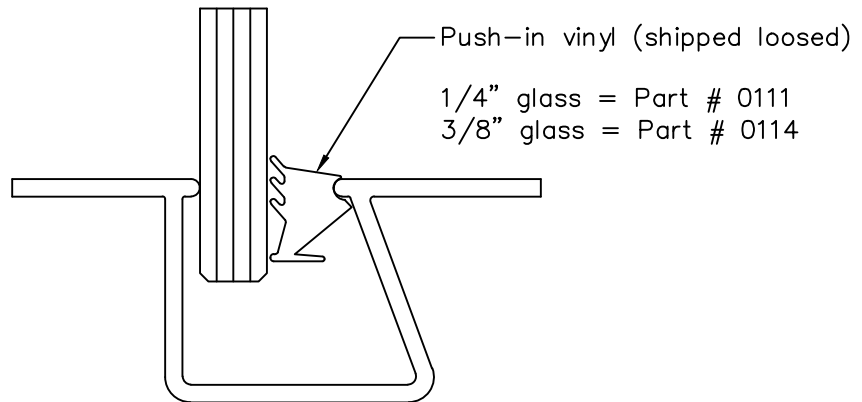
110 Viaduct Rd
Stamford, CT 06907
203.316.8033
203.316.0019 Fax

www.wilsonpart.com

PROJECTED - SERIES 2300 FOR A 3 3/4" PARTITION



Q GLASS JAMB WITH CLOSED BACK
Scale: Half Dwg File: S2300_05.dwg



R GLAZING VINYL OPTIONS
Scale: Half Dwg File: S2300_05.dwg