

2301 E. Vernon Ave.
Vernon, CA 90058
866.443.7258
323.908.5430
323.908.5451 Fax

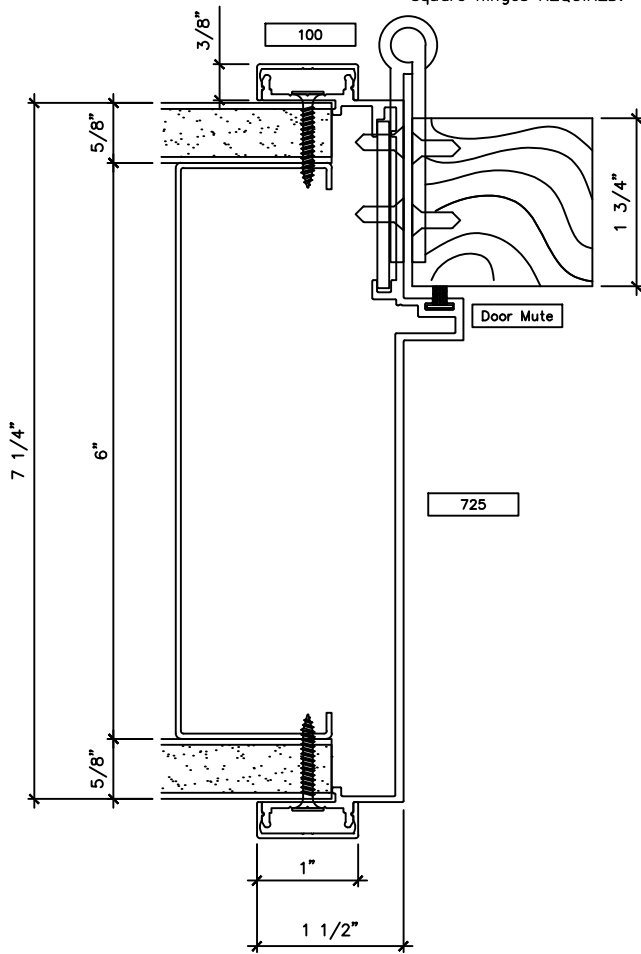
7601 Ambassador Row
Suite 102
Dallas, TX 75247
214.295.2165
214.496.0156 Fax

110 Viaduct Rd
Stamford, CT 06907
203.316.8033
203.316.0019 Fax

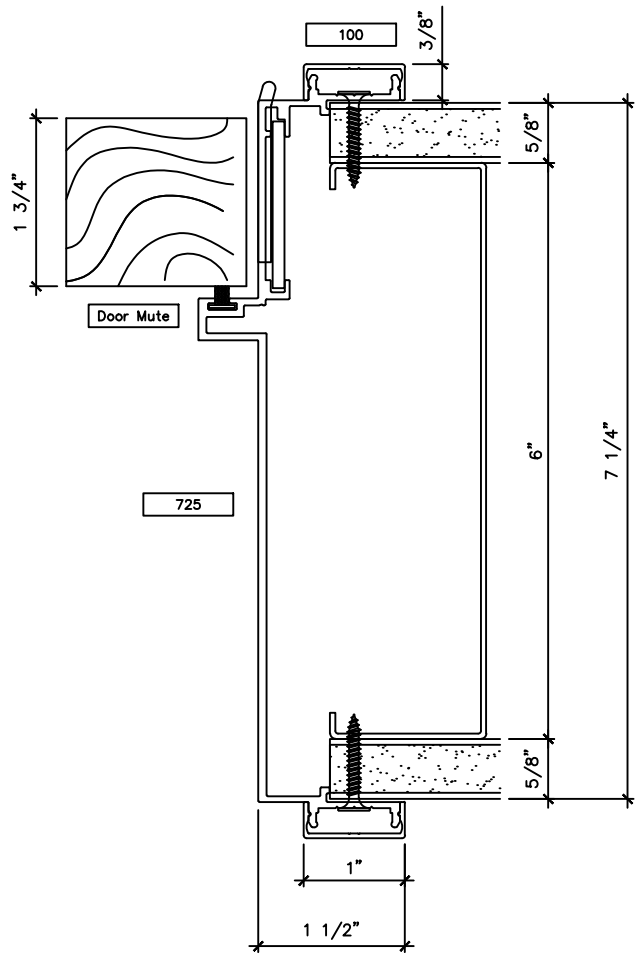
www.wilsonpart.com

SNAP-ON TRIM - SERIES 725 WITH 1" TRIM FOR A 7 1/4" PARTITION

NOTE:
4 1/2" x 4 1/2" x .134ga
square hinges REQUIRED.



A HINGE JAMB
Scale: Half Dwg File: S725T100_01.dwg



B STRIKE JAMB
Scale: Half Dwg File: S725T100_01.dwg

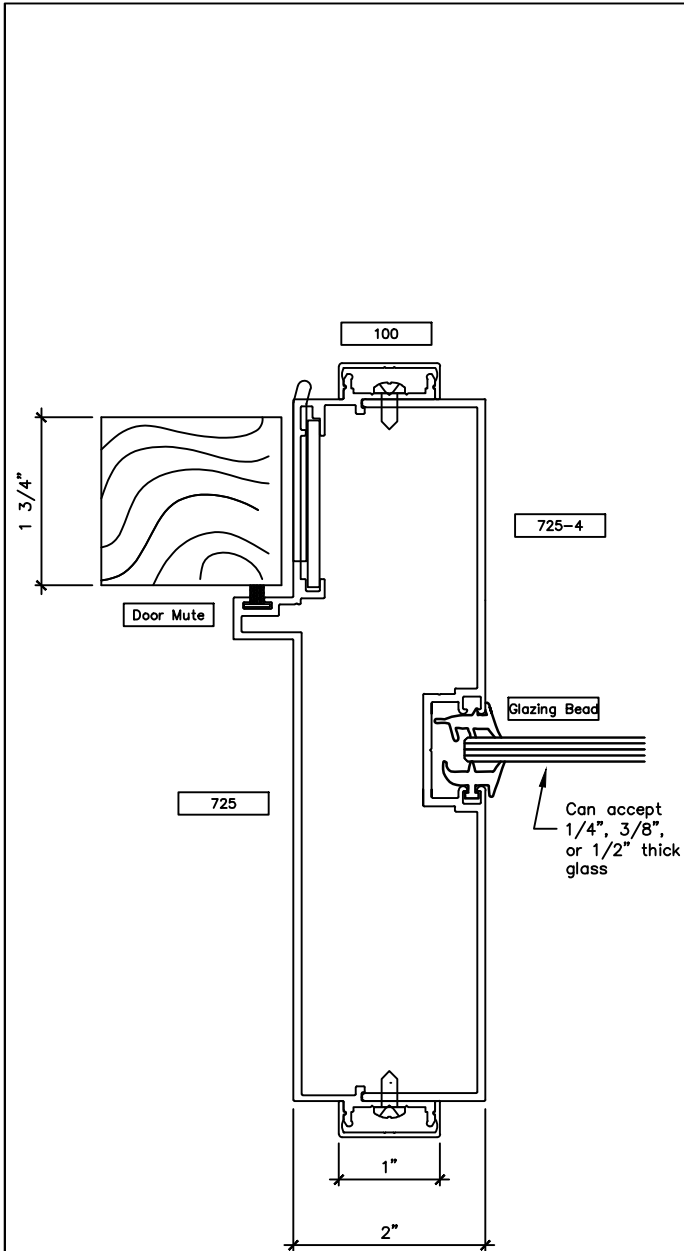
2301 E. Vernon Ave.
Vernon, CA 90058
866.443.7258
323.908.5430
323.908.5451 Fax

 7601 Ambassador Row
Suite 102
Dallas, TX 75247
214.295.2165
214.496.0156 Fax

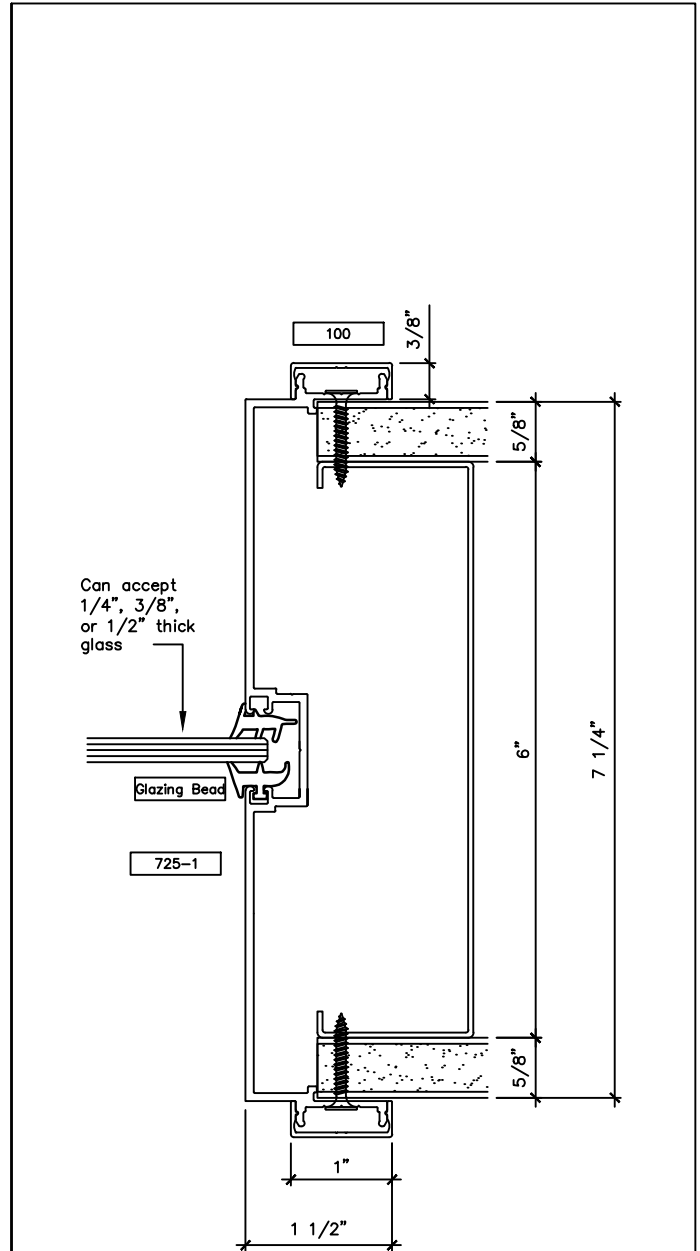
 110 Viaduct Rd
Stamford, CT 06907
203.316.8033
203.316.0019 Fax

www.wilsonpart.com

SNAP-ON TRIM - SERIES 725 WITH 1" TRIM FOR A 7 1/4" PARTITION



C STRIKE JAMB WITH SIDELITE
Scale: Half Dwg File: S725T100_02.dwg



D GLASS JAMB
Scale: Half Dwg File: S725T100_02.dwg

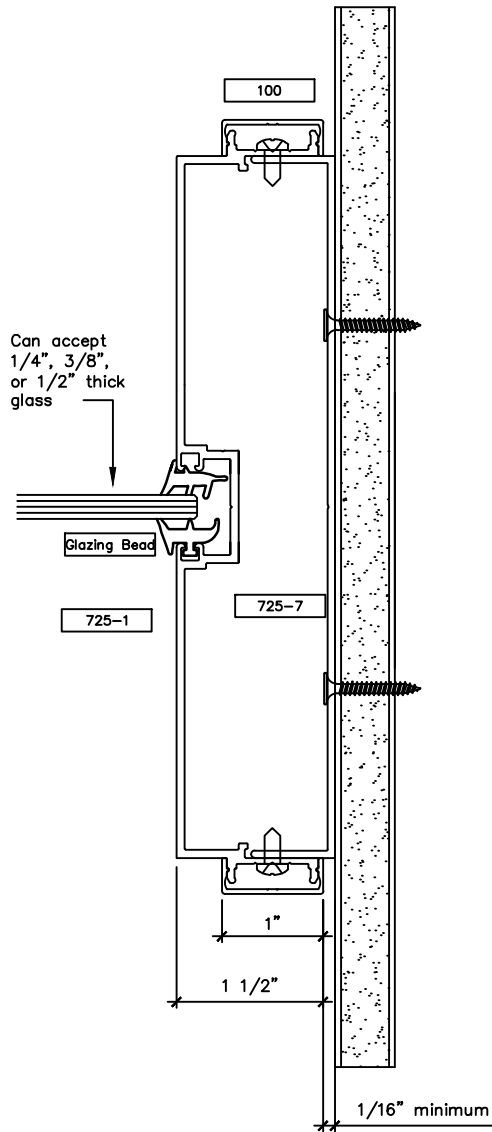
2301 E. Vernon Ave.
Vernon, CA 90058
866.443.7258
323.908.5430
323.908.5451 Fax

7601 Ambassador Row
Suite 102
Dallas, TX 75247
214.295.2165
214.496.0156 Fax

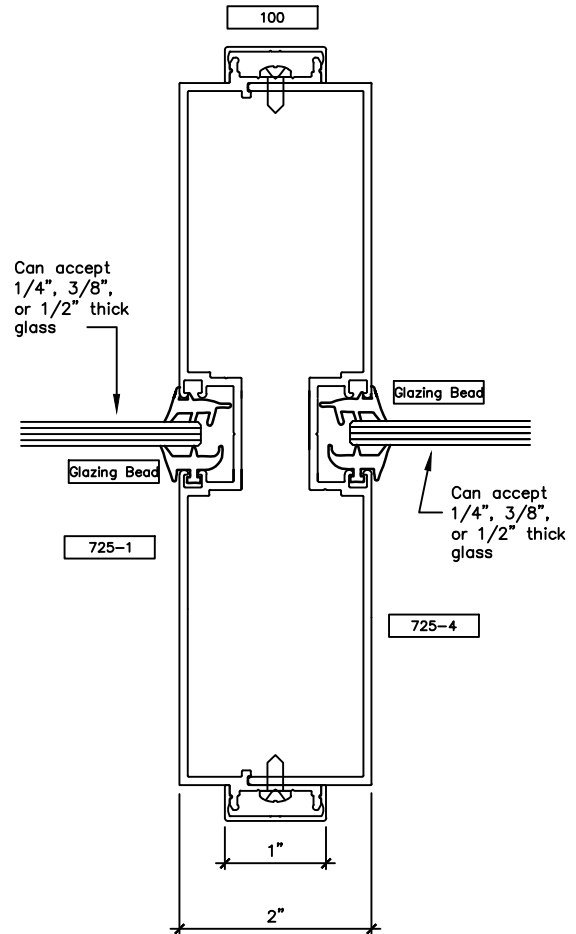
110 Viaduct Rd
Stamford, CT 06907
203.316.8033
203.316.0019 Fax

www.wilsonpart.com

SNAP-ON TRIM - SERIES 725 WITH 1" TRIM FOR A 7 1/4" PARTITION



D1 GLASS JAMB WITH WALL STARTER
Scale: Half Dwg File: S725T100_03.dwg



E INTERMEDIATE VERTICAL MULLION
Scale: Half Dwg File: S725T100_03.dwg



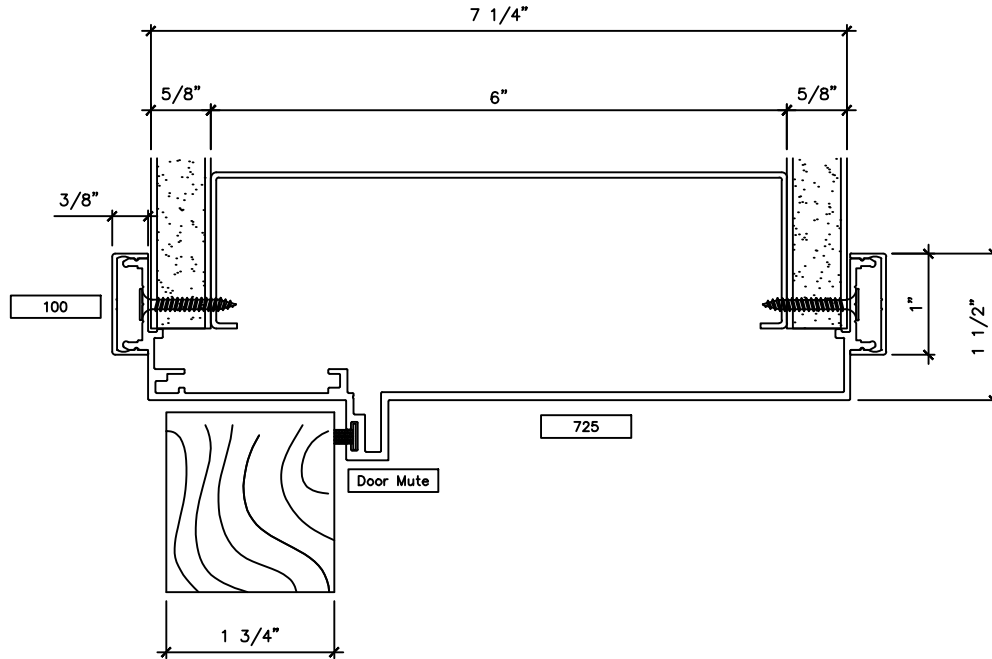
2301 E. Vernon Ave.
Vernon, CA 90058
866.443.7258
323.908.5430
323.908.5451 Fax

7601 Ambassador Row
Suite 102
Dallas, TX 75247
214.295.2165
214.496.0156 Fax

110 Viaduct Rd
Stamford, CT 06907
203.316.8033
203.316.0019 Fax

www.wilsonpart.com

SNAP-ON TRIM - SERIES 725 WITH 1" TRIM FOR A 7 1/4" PARTITION

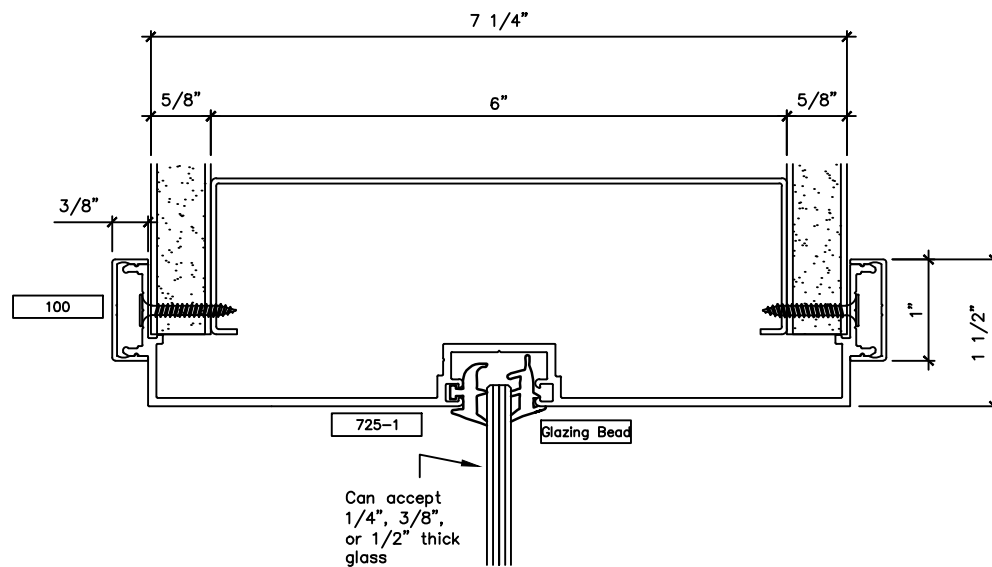


F

DOOR HEADER

Scale: Half

Dwg File: S725T100_04.dwg



G

GLAZING HEADER

Scale: Half

Dwg File: S725T100_04.dwg

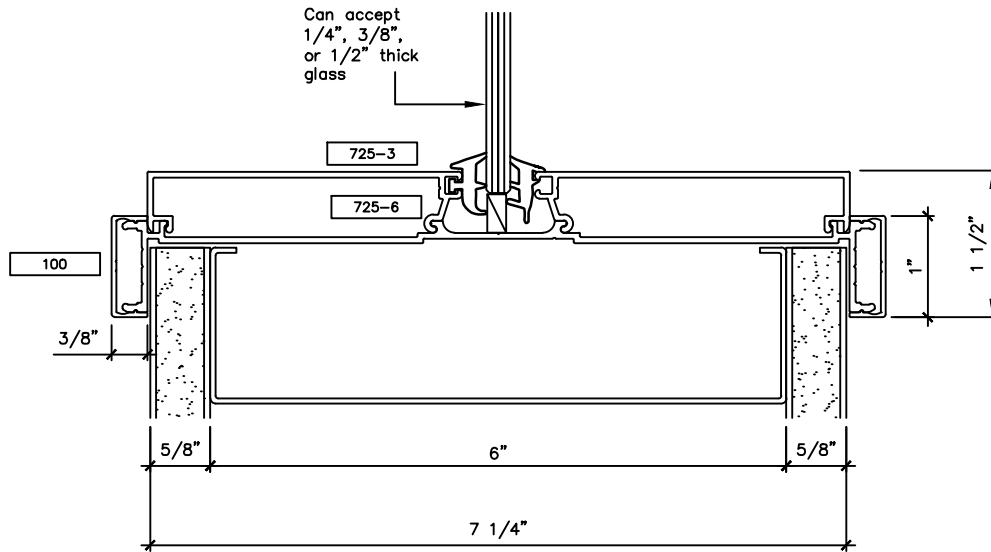
2301 E. Vernon Ave.
Vernon, CA 90058
866.443.7258
323.908.5430
323.908.5451 Fax

7601 Ambassador Row
Suite 102
Dallas, TX 75247
214.295.2165
214.496.0156 Fax

110 Viaduct Rd
Stamford, CT 06907
203.316.8033
203.316.0019 Fax

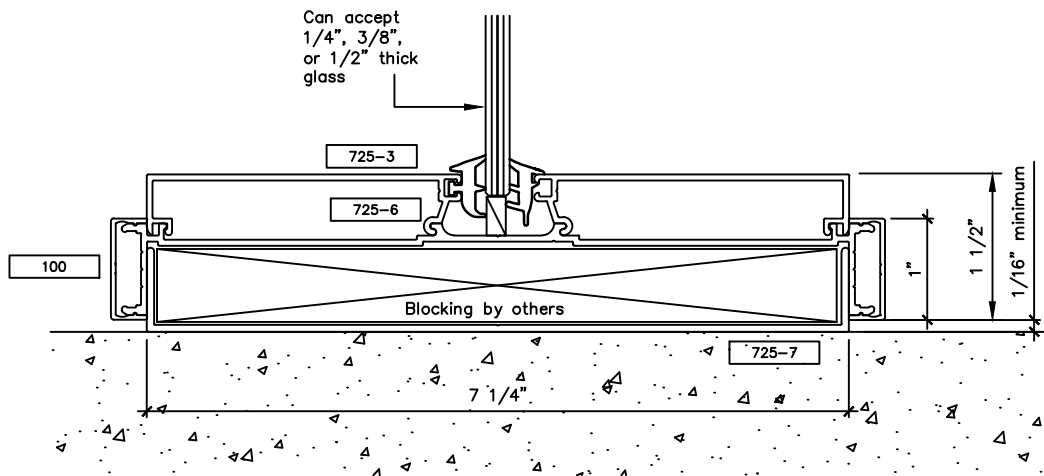
www.wilsonpart.com

SNAP-ON TRIM - SERIES 725 WITH 1" TRIM FOR A 7 1/4" PARTITION



SILL (PARTIAL HEIGHT)

Scale: Half Dwg File: S458T100_05.dwg



SILL (FULL HEIGHT)
WITH SILL STARTER

Scale: Half Dwg File: S725T100_05.dwg

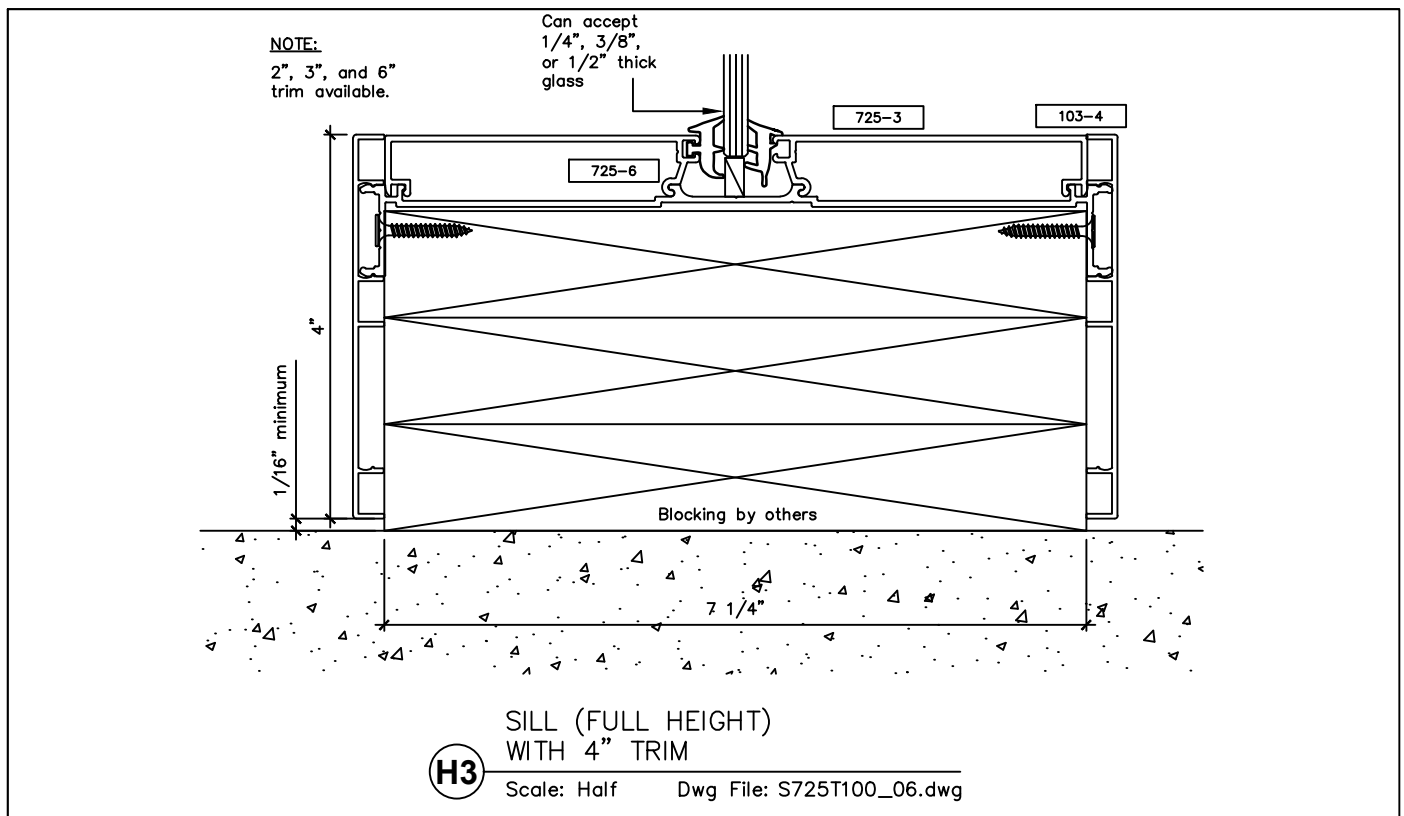
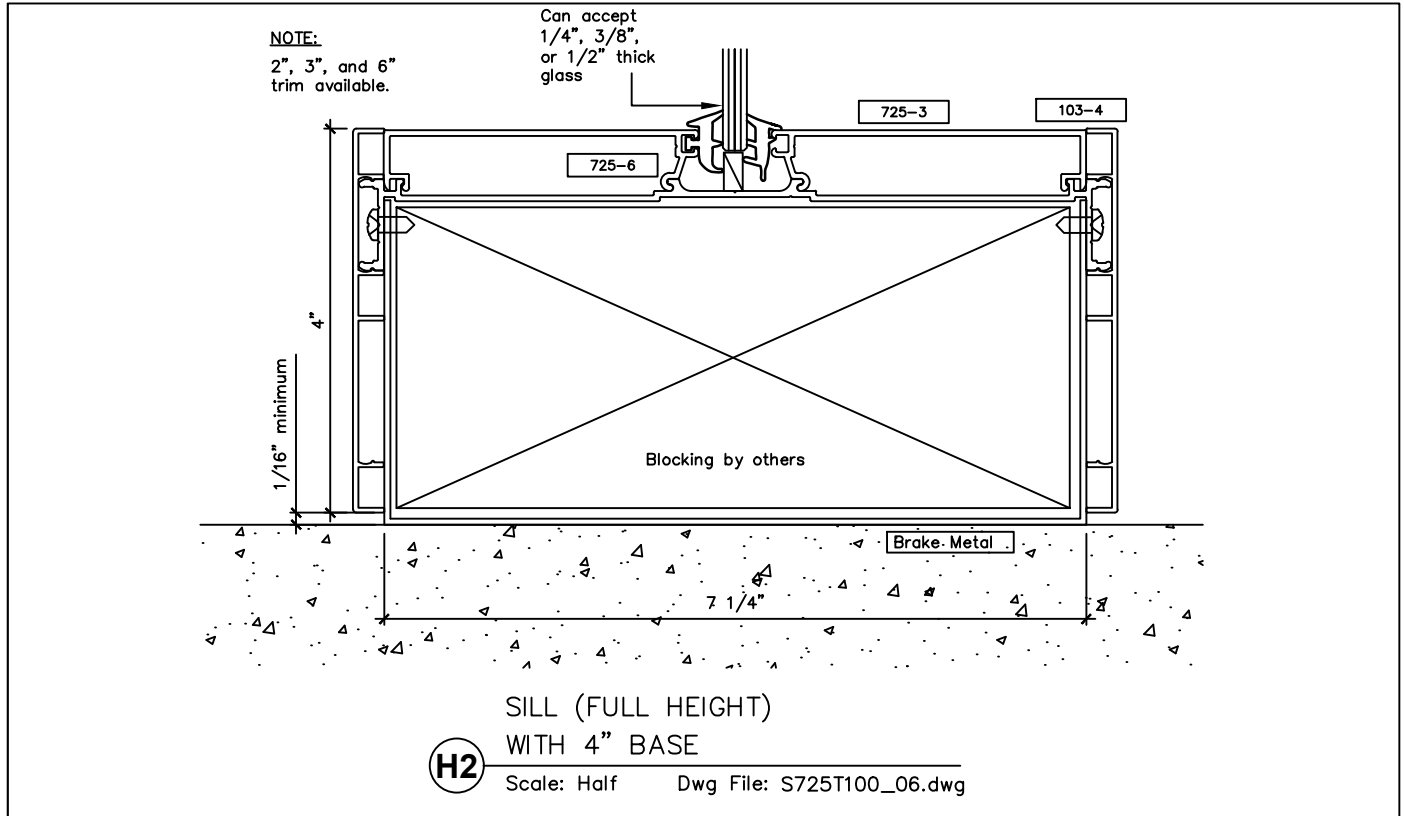
2301 E. Vernon Ave.
Vernon, CA 90058
866.443.7258
323.908.5430
323.908.5451 Fax

7601 Ambassador Row
Suite 102
Dallas, TX 75247
214.295.2165
214.496.0156 Fax

110 Viaduct Rd
Stamford, CT 06907
203.316.8033
203.316.0019 Fax

www.wilsonpart.com

SNAP-ON TRIM - SERIES 725 WITH 1" TRIM FOR A 7 1/4" PARTITION





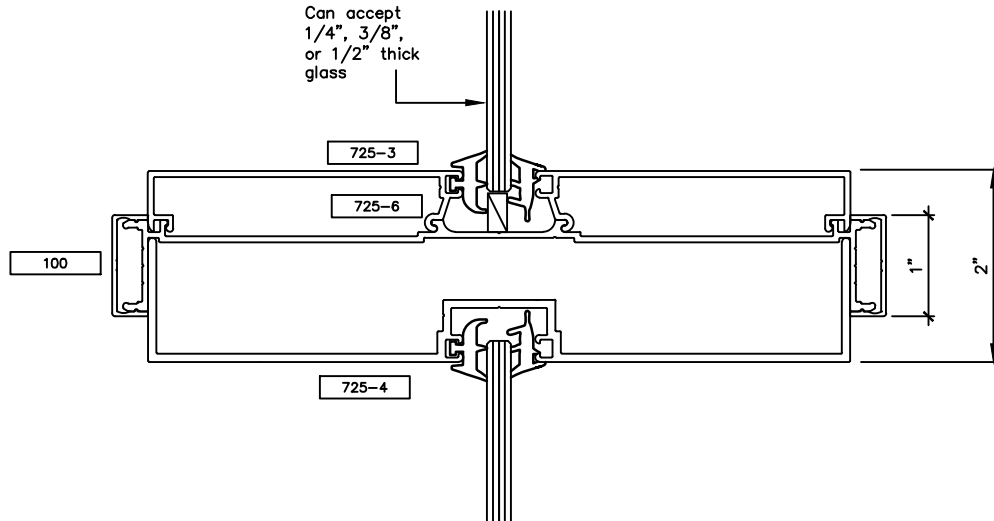
2301 E. Vernon Ave.
Vernon, CA 90058
866.443.7258
323.908.5430
323.908.5451 Fax

7601 Ambassador Row
Suite 102
Dallas, TX 75247
214.295.2165
214.496.0156 Fax

110 Viaduct Rd
Stamford, CT 06907
203.316.8033
203.316.0019 Fax

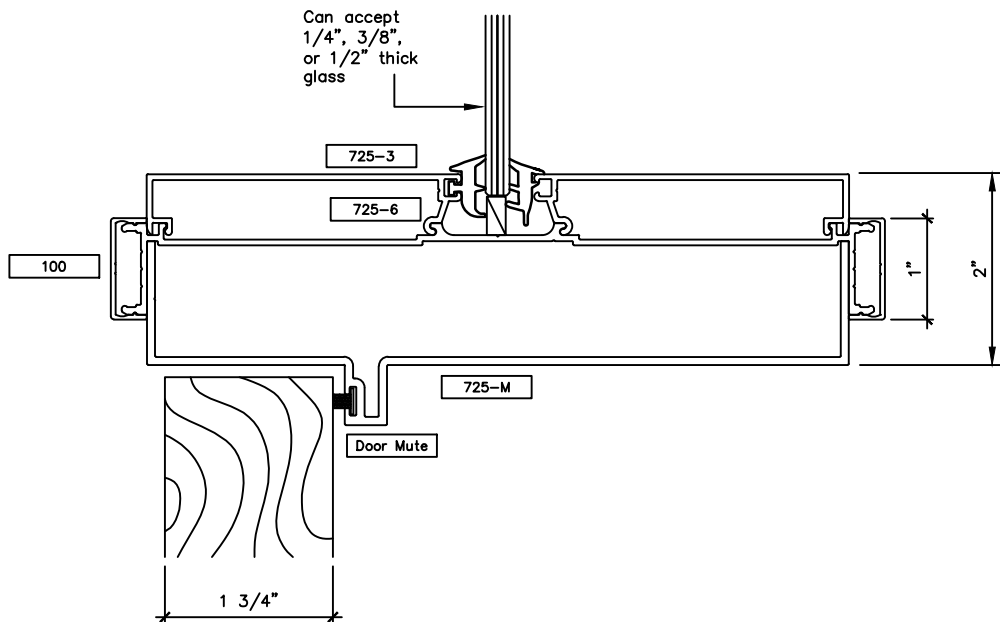
www.wilsonpart.com

SNAP-ON TRIM - SERIES 725 WITH 1" TRIM FOR A 7 1/4" PARTITION



INTERMEDIATE HORIZONTAL MULLION

Scale: Half Dwg File: S725T100_07.dwg



HEADER AT GLASS TRANSOM

Scale: Half Dwg File: S725T100_07.dwg



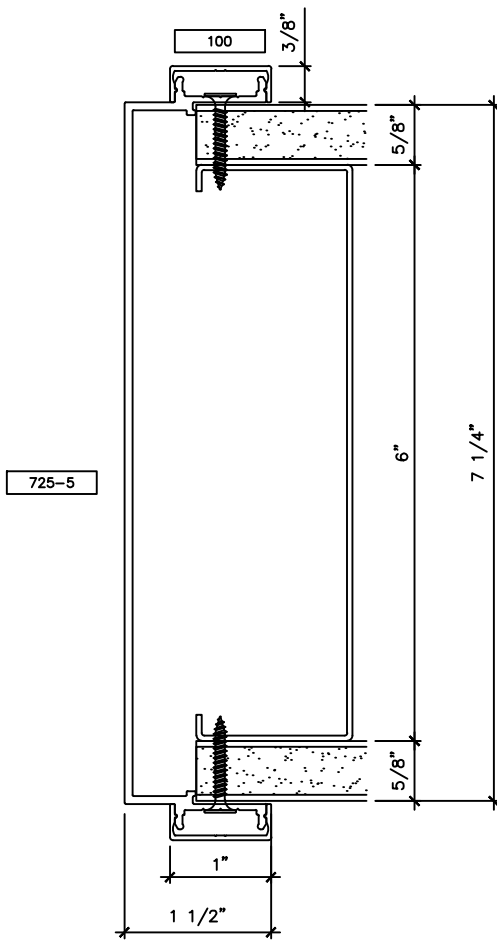
2301 E. Vernon Ave.
Vernon, CA 90058
866.443.7258
323.908.5430
323.908.5451 Fax

7601 Ambassador Row
Suite 102
Dallas, TX 75247
214.295.2165
214.496.0156 Fax

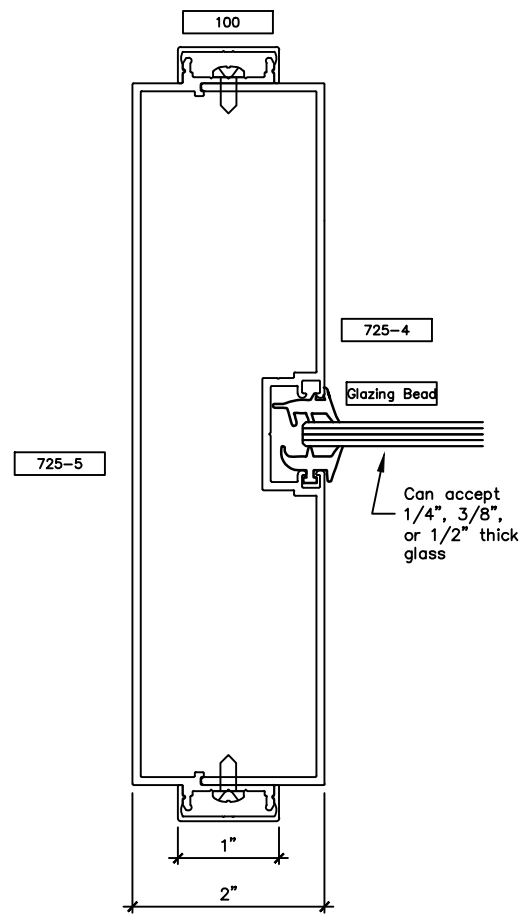
110 Viaduct Rd
Stamford, CT 06907
203.316.8033
203.316.0019 Fax

www.wilsonpart.com

SNAP-ON TRIM - SERIES 725 WITH 1" TRIM FOR A 7 1/4" PARTITION

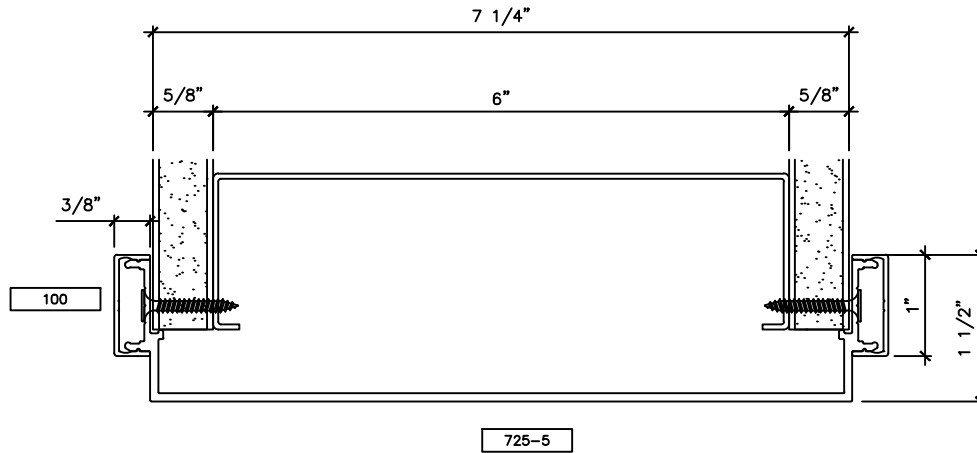


K CASED OPENING JAMB
Scale: Half Dwg File: S725T100_08.dwg



L CASED OPENING JAMB
WITH SIDELITE
Scale: Half Dwg File: S725T100_08.dwg

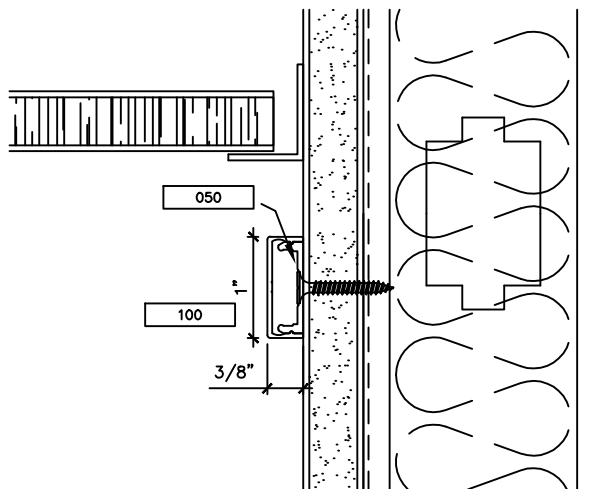
SNAP-ON TRIM - SERIES 725 WITH 1" TRIM FOR A 7 1/4" PARTITION



CASED OPENING HEADER

Scale: Half

Dwg File: S725T100_09.dwg



APPLIED TRIM

Scale: Half

Dwg File: S725T100_09.dwg

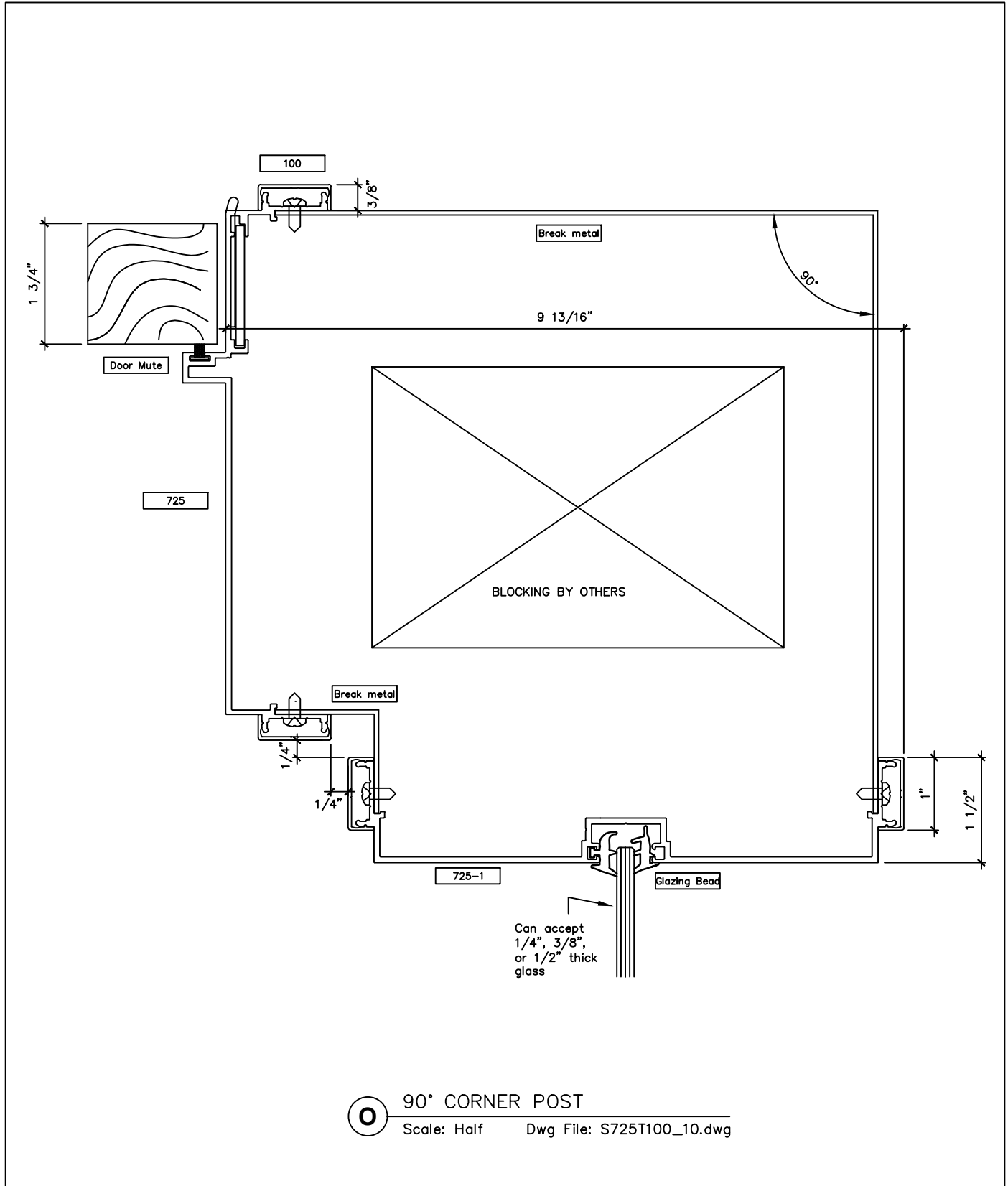
2301 E. Vernon Ave.
Vernon, CA 90058
866.443.7258
323.908.5430
323.908.5451 Fax

7601 Ambassador Row
Suite 102
Dallas, TX 75247
214.295.2165
214.496.0156 Fax

110 Viaduct Rd
Stamford, CT 06907
203.316.8033
203.316.0019 Fax

www.wilsonpart.com

SNAP-ON TRIM - SERIES 725 WITH 1" TRIM FOR A 7 1/4" PARTITION





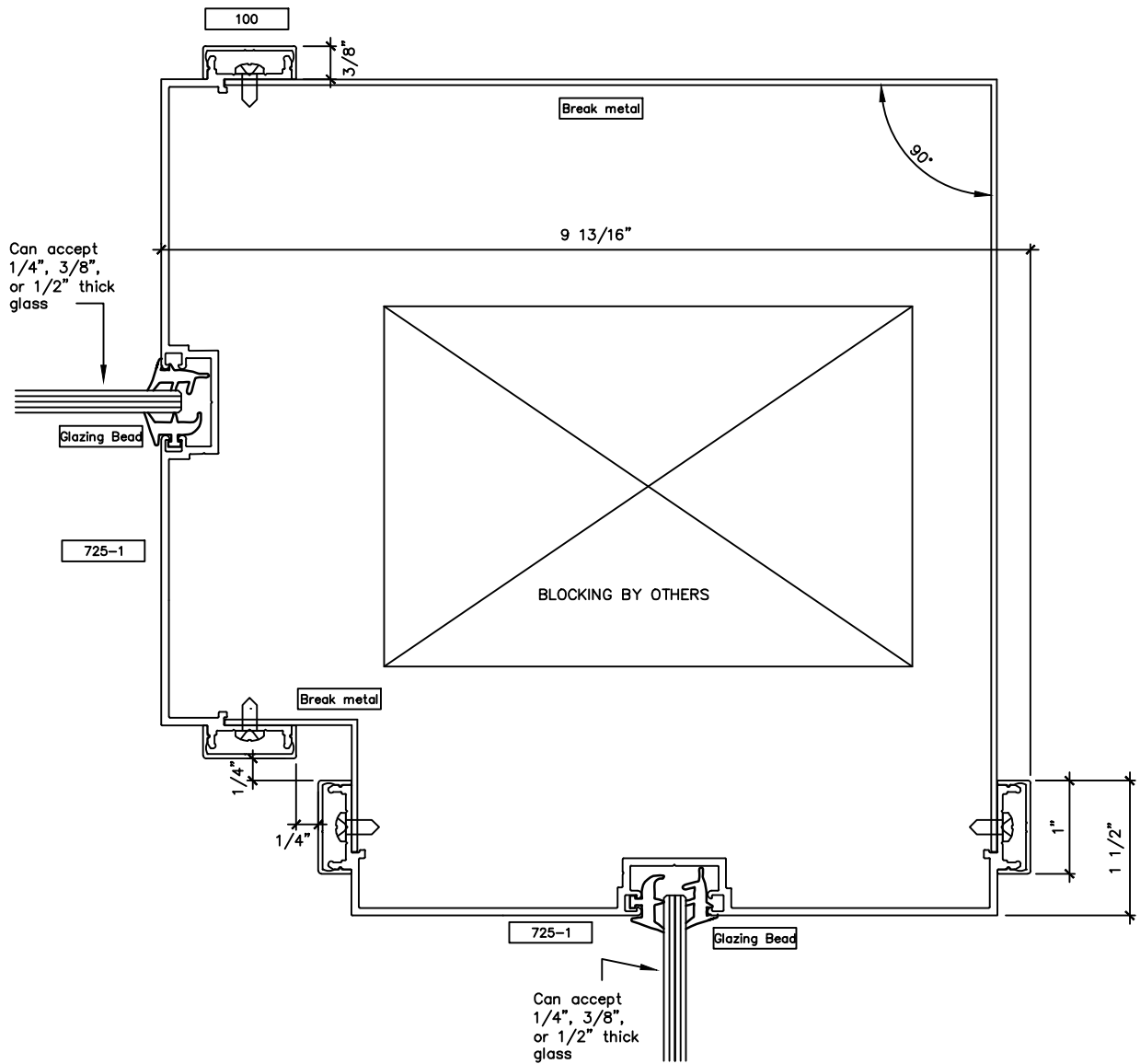
2301 E. Vernon Ave.
Vernon, CA 90058
866.443.7258
323.908.5430
323.908.5451 Fax

7601 Ambassador Row
Suite 102
Dallas, TX 75247
214.295.2165
214.496.0156 Fax

110 Viaduct Rd
Stamford, CT 06907
203.316.8033
203.316.0019 Fax

www.wilsonpart.com

SNAP-ON TRIM - SERIES 725 WITH 1" TRIM FOR A 7 1/4" PARTITION



P

90° CORNER POST

Scale: Half

Dwg File: S725T100_11.dwg

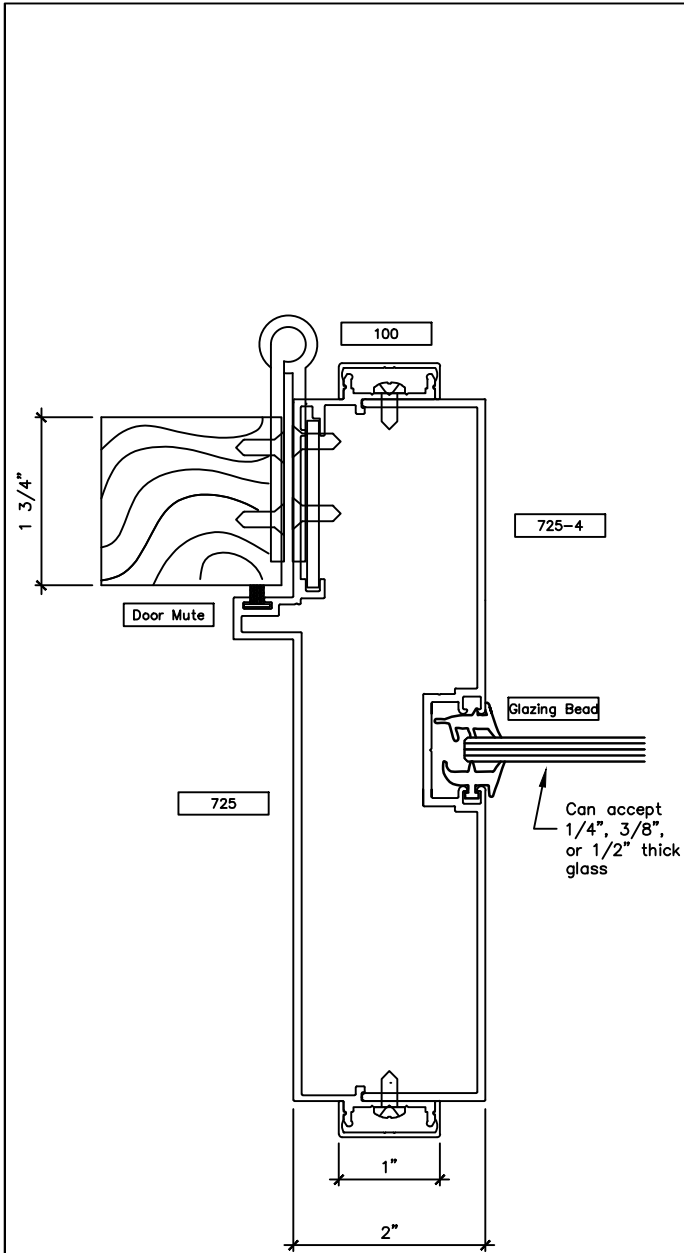
2301 E. Vernon Ave.
Vernon, CA 90058
866.443.7258
323.908.5430
323.908.5451 Fax

7601 Ambassador Row
Suite 102
Dallas, TX 75247
214.295.2165
214.496.0156 Fax

110 Viaduct Rd
Stamford, CT 06907
203.316.8033
203.316.0019 Fax

www.wilsonpart.com

SNAP-ON TRIM - SERIES 725 WITH 1" TRIM FOR A 7 1/4" PARTITION



Can accept
1/4", 3/8",
or 1/2" thick
glass

Q

HINGE JAMB WITH SIDELITE

Scale: Half

Dwg File: S725T100_12.dwg



2301 E. Vernon Ave.
Vernon, CA 90058
866.443.7258
323.908.5430
323.908.5451 Fax

7601 Ambassador Row
Suite 102
Dallas, TX 75247
214.295.2165
214.496.0156 Fax

110 Viaduct Rd
Stamford, CT 06907
203.316.8033
203.316.0019 Fax

www.wilsonpart.com

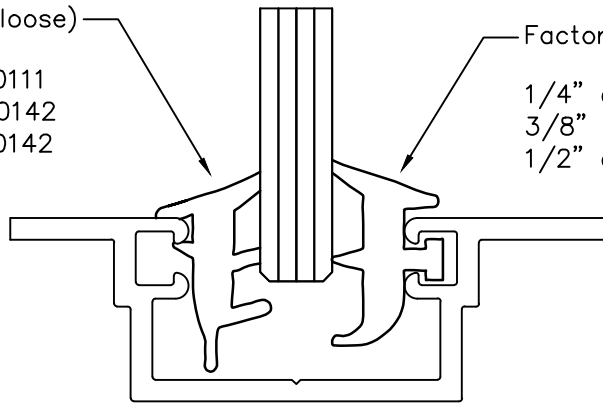
SNAP-ON TRIM - SERIES 725 WITH 1" TRIM FOR A 7 1/4" PARTITION

Push-in vinyl (shipped loose)

1/4" glass = PART # 0111
3/8" glass = PART # 0142
1/2" glass = PART # 0142

Factory installed pull-in vinyl

1/4" glass = Part # 0140
3/8" glass = Part # 0141
1/2" glass = Part # 0113



GLAZING VINYL OPTIONS

Scale: Half

Dwg File: S725T100_13.dwg