

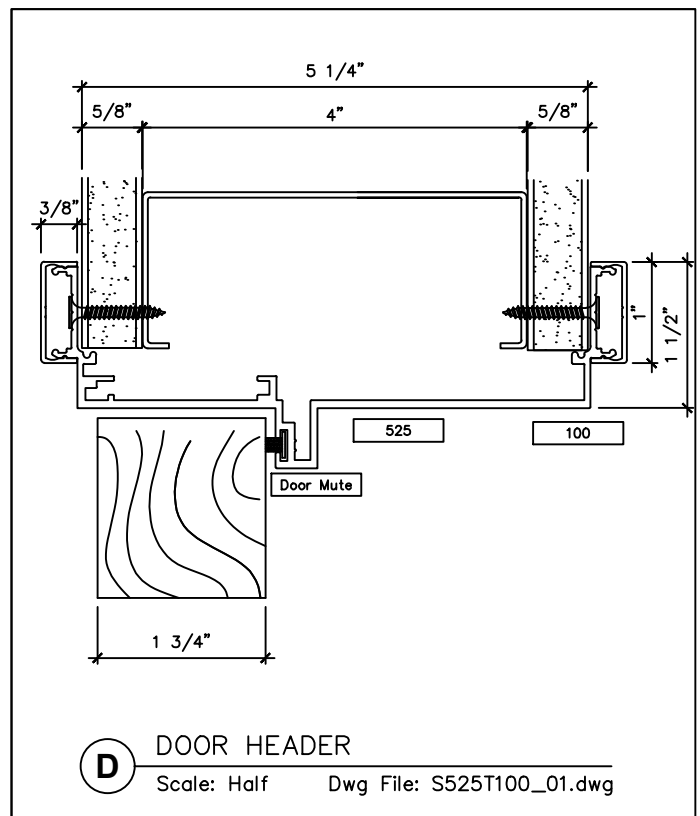
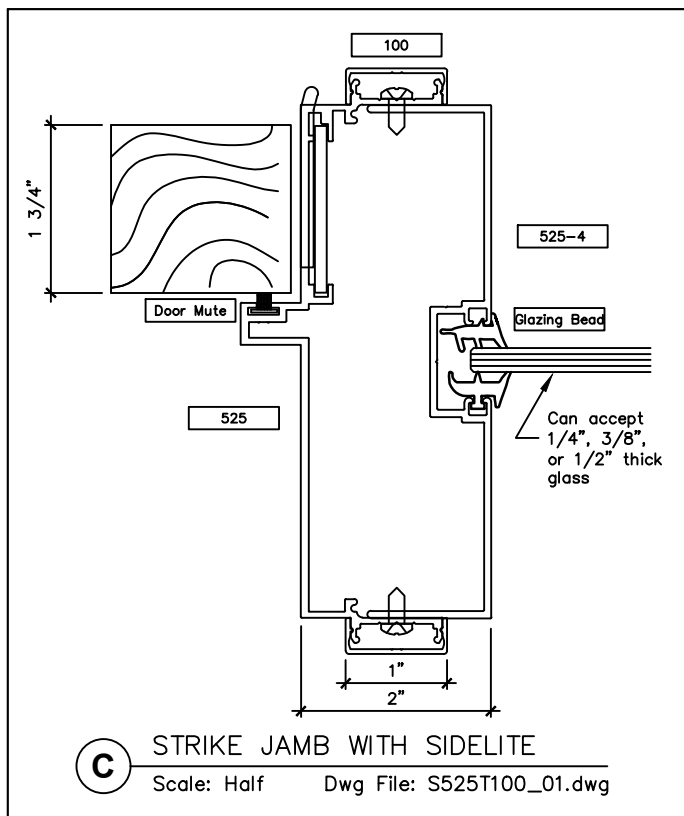
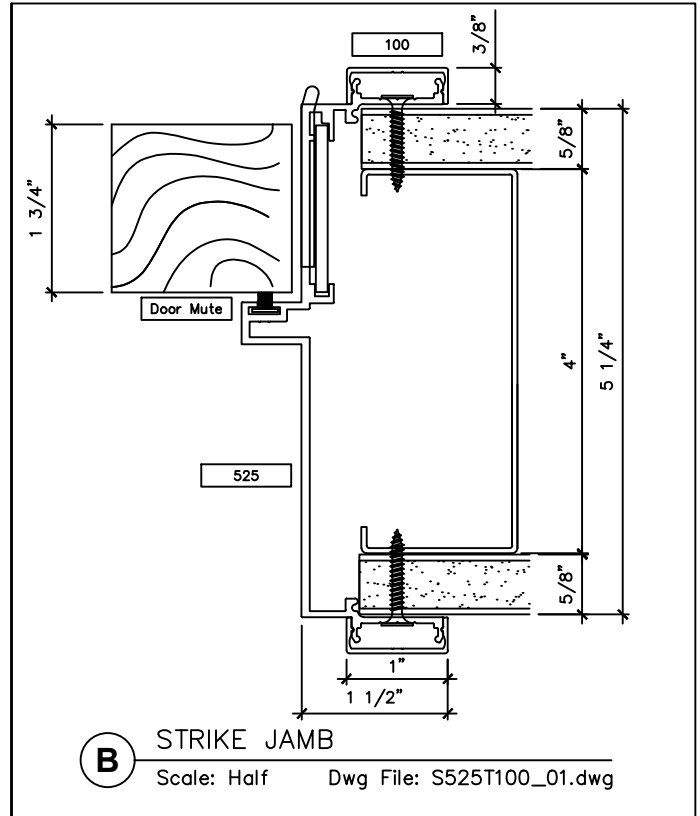
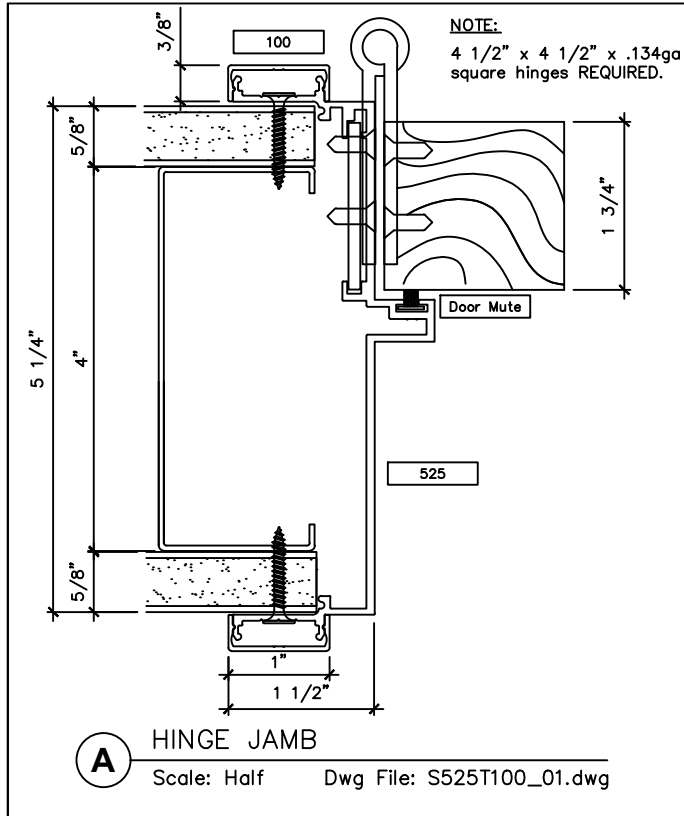
2301 E. Vernon Ave.  
Vernon, CA 90058  
866.443.7258  
323.908.5430  
323.908.5451 Fax

 7601 Ambassador Row  
Suite 102  
Dallas, TX 75247  
214.295.2165  
214.496.0156 Fax

 110 Viaduct Rd  
Stamford, CT 06907  
203.316.8033  
203.316.0019 Fax

[www.wilsonpart.com](http://www.wilsonpart.com)

## SNAP-ON TRIM - SERIES 525 WITH 1" TRIM FOR A 5 1/4" PARTITION



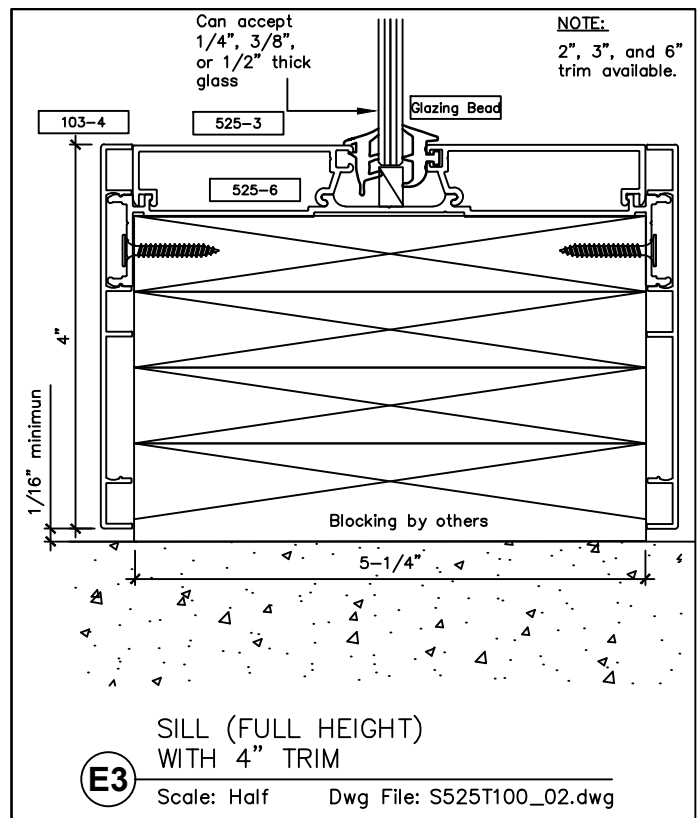
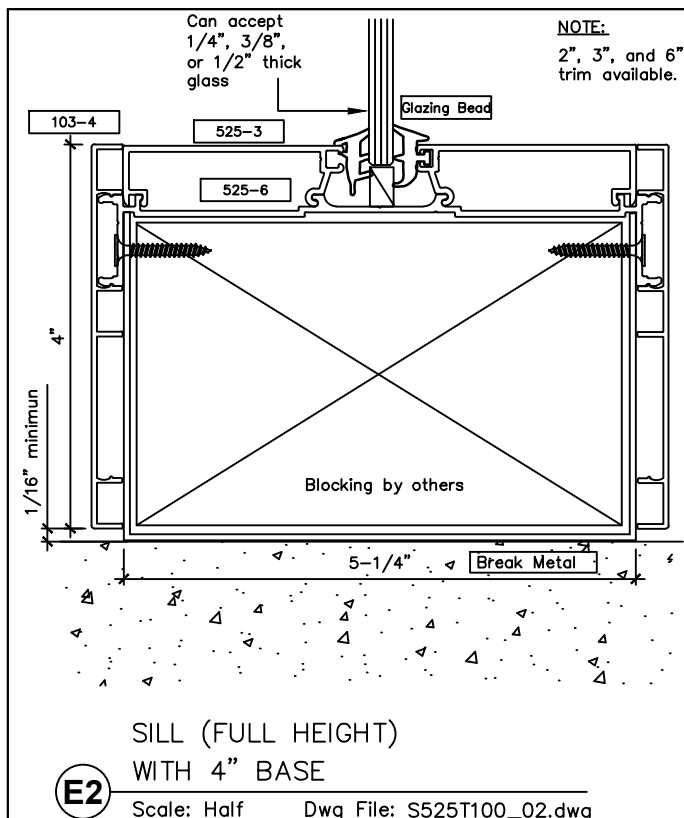
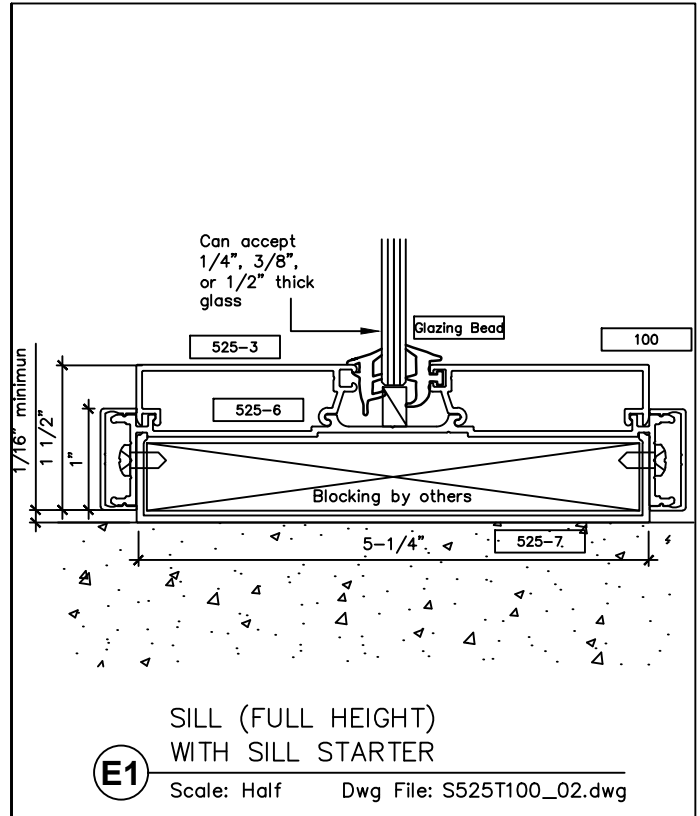
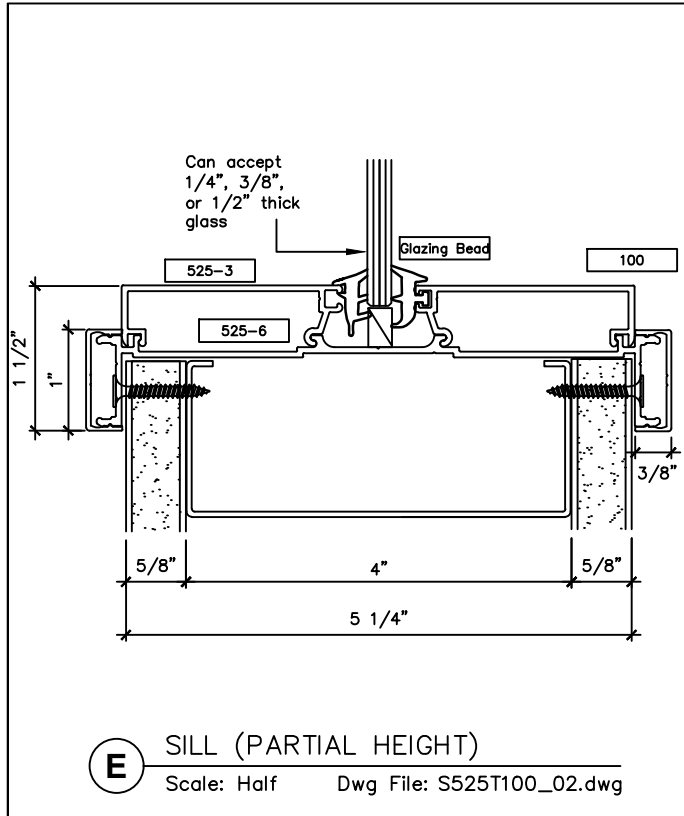
2301 E. Vernon Ave.  
Vernon, CA 90058  
866.443.7258  
323.908.5430  
323.908.5451 Fax

7601 Ambassador Row  
Suite 102  
Dallas, TX 75247  
214.295.2165  
214.496.0156 Fax

110 Viaduct Rd  
Stamford, CT 06907  
203.316.8033  
203.316.0019 Fax

www.wilsonpart.com

## SNAP-ON TRIM - SERIES 525 WITH 1" TRIM FOR A 5 1/4" PARTITION



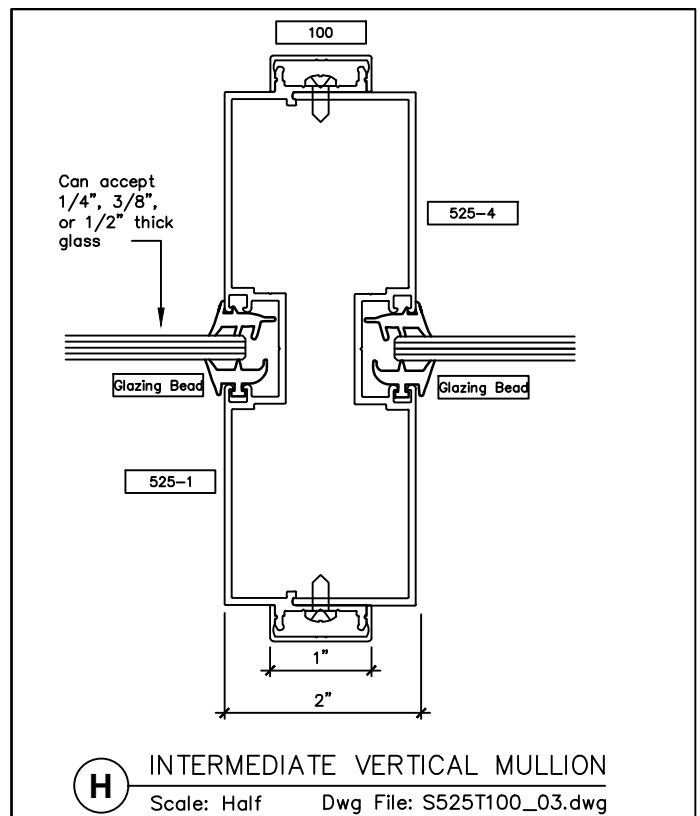
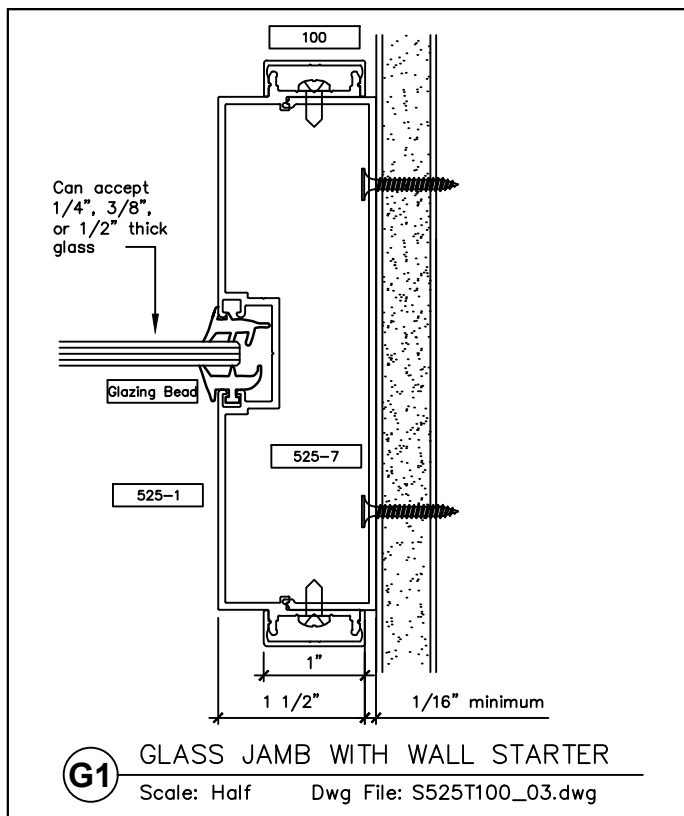
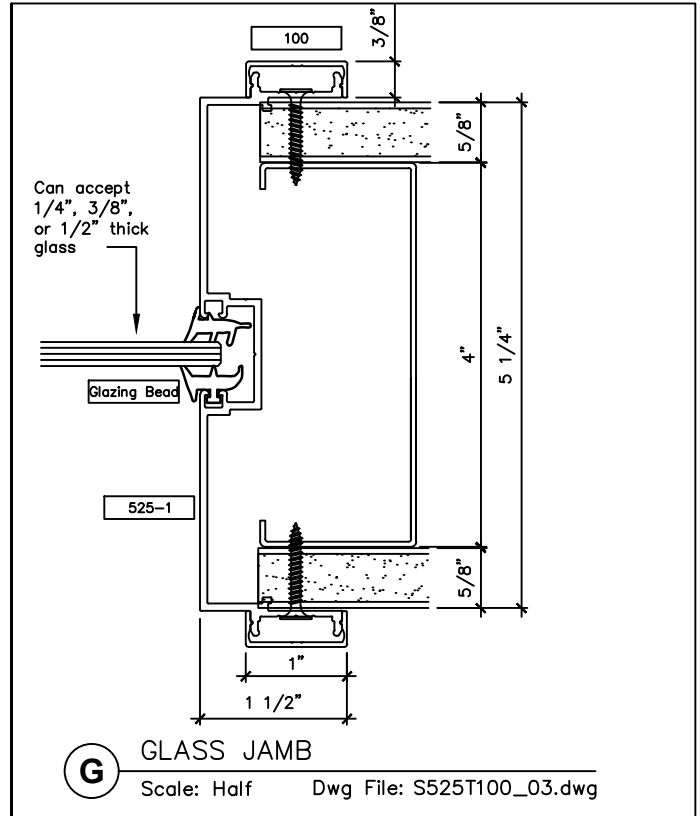
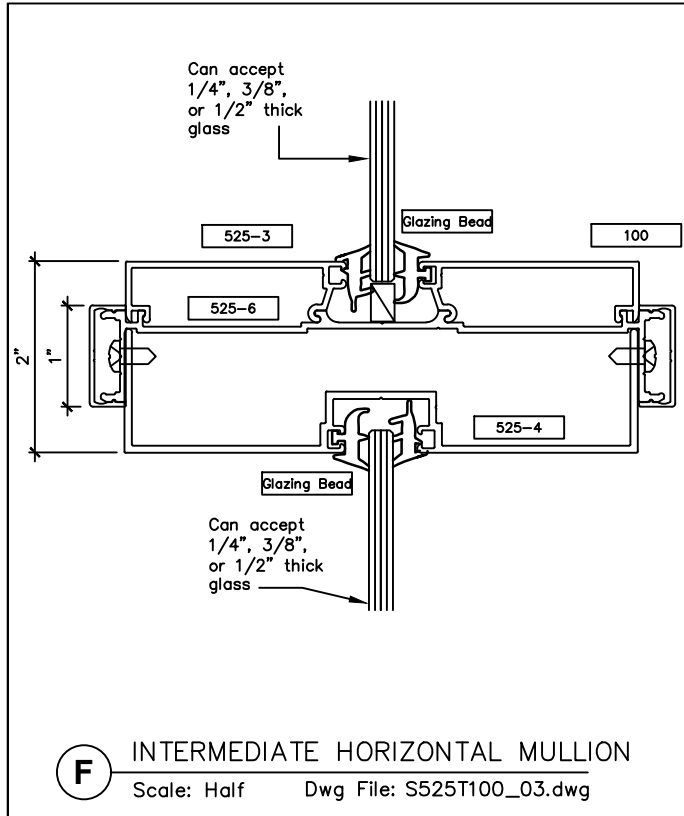
2301 E. Vernon Ave.  
Vernon, CA 90058  
866.443.7258  
323.908.5430  
323.908.5451 Fax

7601 Ambassador Row  
Suite 102  
Dallas, TX 75247  
214.295.2165  
214.496.0156 Fax

110 Viaduct Rd  
Stamford, CT 06907  
203.316.8033  
203.316.0019 Fax

www.wilsonpart.com

## SNAP-ON TRIM - SERIES 525 WITH 1" TRIM FOR A 5 1/4" PARTITION



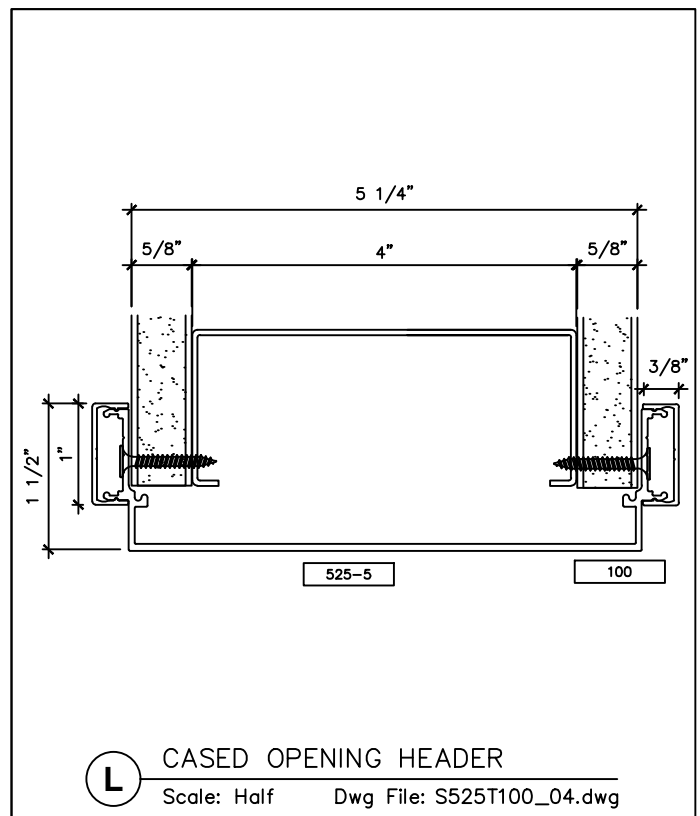
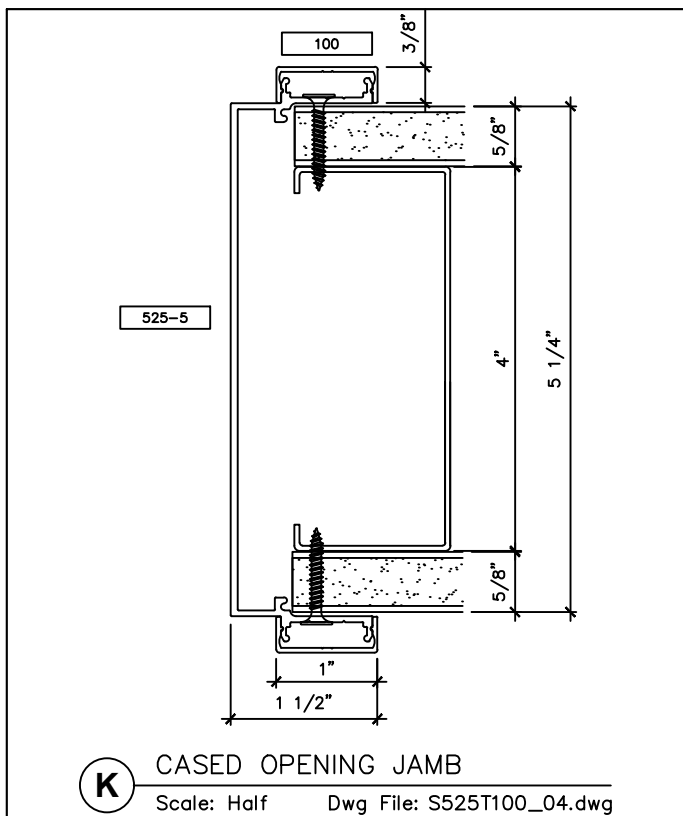
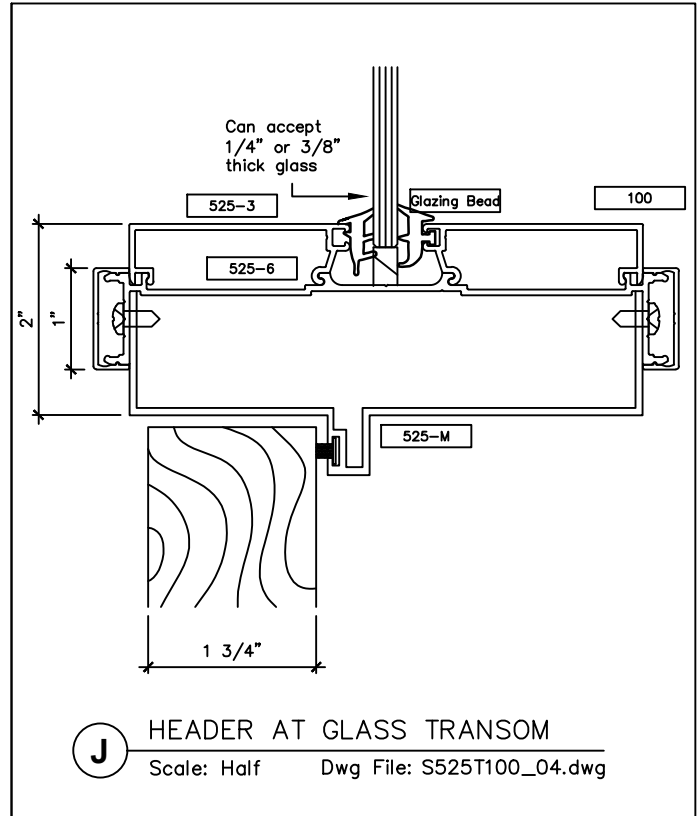
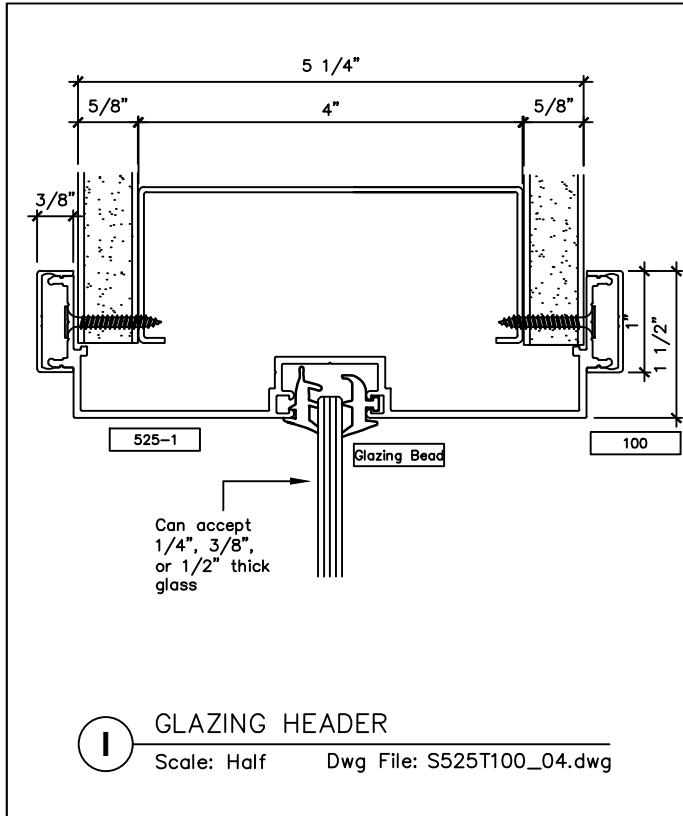
2301 E. Vernon Ave.  
Vernon, CA 90058  
866.443.7258  
323.908.5430  
323.908.5451 Fax

7601 Ambassador Row  
Suite 102  
Dallas, TX 75247  
214.295.2165  
214.496.0156 Fax

110 Viaduct Rd  
Stamford, CT 06907  
203.316.8033  
203.316.0019 Fax

www.wilsonpart.com

## SNAP-ON TRIM - SERIES 525 WITH 1" TRIM FOR A 5 1/4" PARTITION





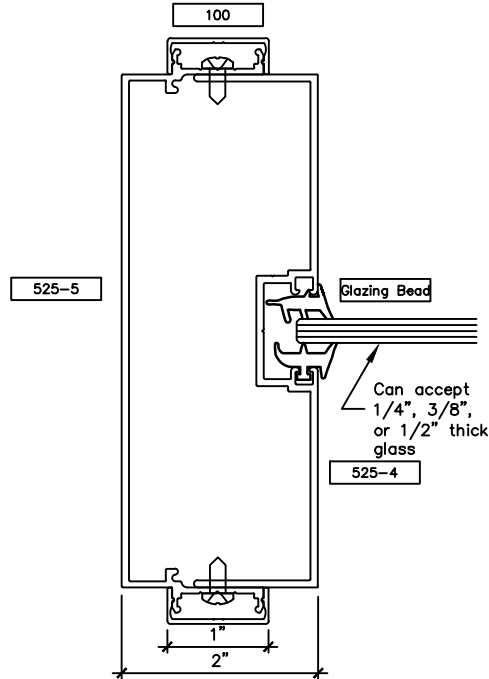
2301 E. Vernon Ave.  
Vernon, CA 90058  
866.443.7258  
323.908.5430  
323.908.5451 Fax

7601 Ambassador Row  
Suite 102  
Dallas, TX 75247  
214.295.2165  
214.496.0156 Fax

110 Viaduct Rd  
Stamford, CT 06907  
203.316.8033  
203.316.0019 Fax

www.wilsonpart.com

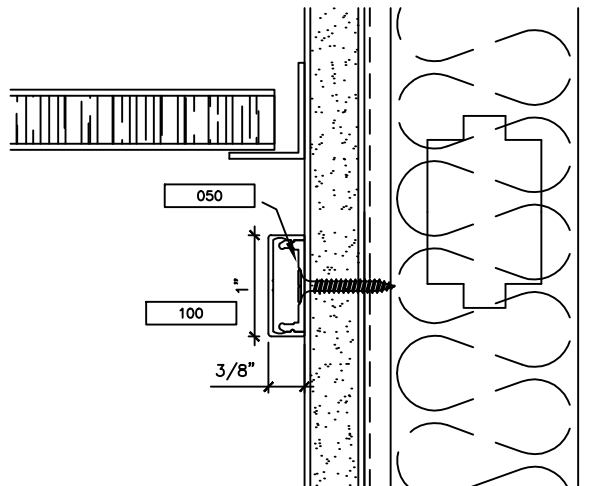
### SNAP-ON TRIM - SERIES 525 WITH 1" TRIM FOR A 5 1/4" PARTITION



CASED OPENING JAMB WITH SIDELITE



Scale: Half Dwg File: S525T100\_05.dwg



APPLIED TRIM

Scale: Half Dwg File: S525T100\_05.dwg

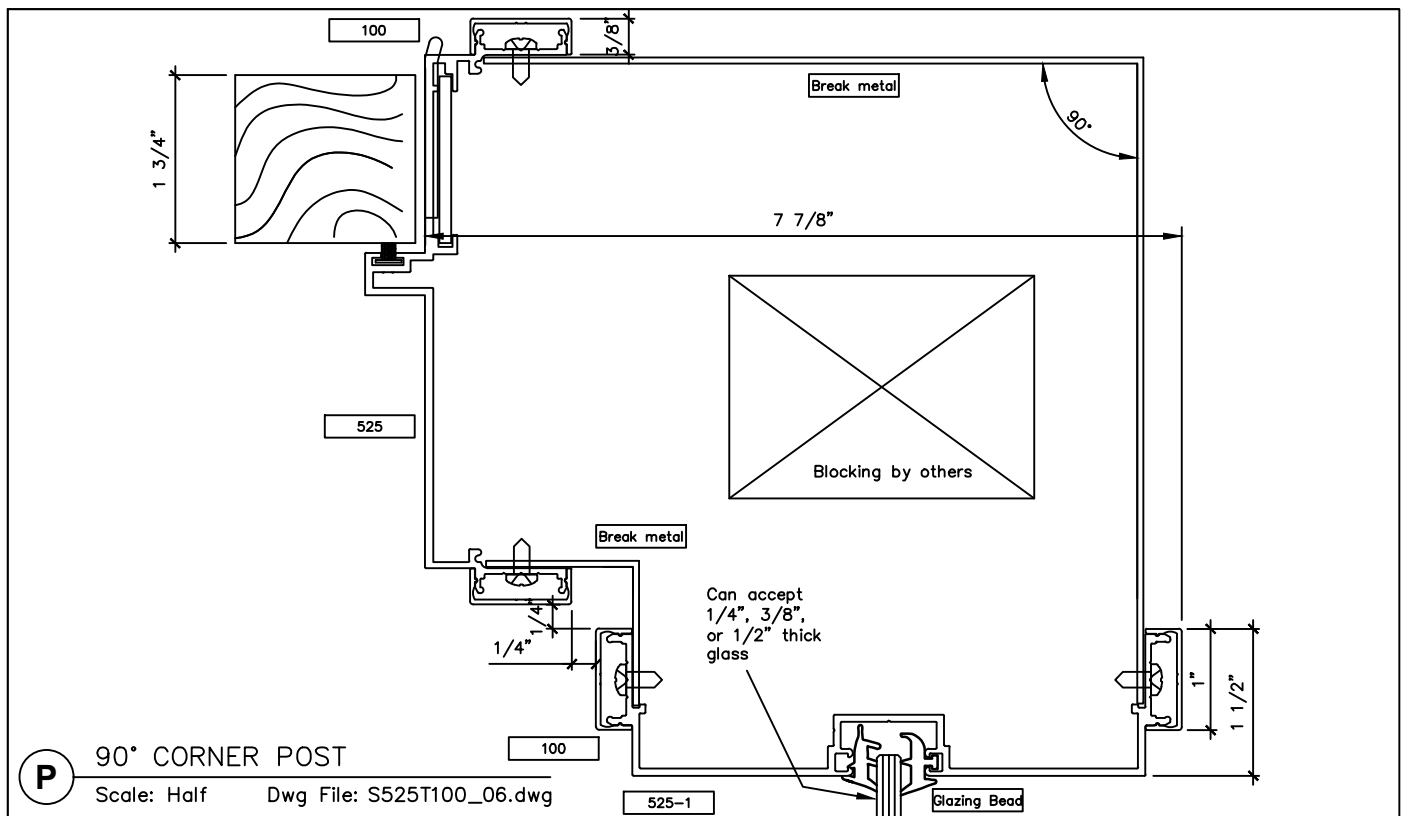
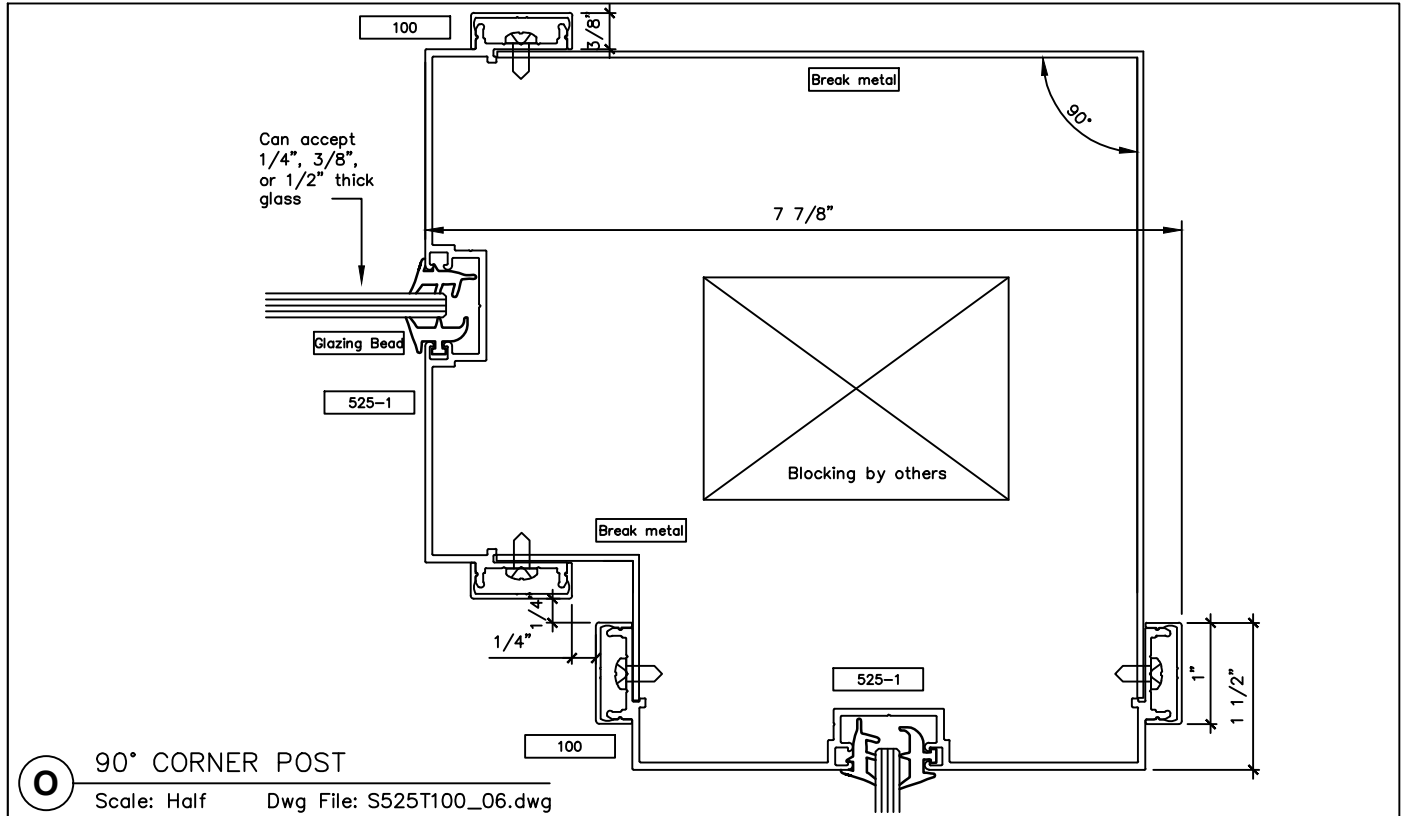
2301 E. Vernon Ave.  
Vernon, CA 90058  
866.443.7258  
323.908.5430  
323.908.5451 Fax

7601 Ambassador Row  
Suite 102  
Dallas, TX 75247  
214.295.2165  
214.496.0156 Fax

110 Viaduct Rd  
Stamford, CT 06907  
203.316.8033  
203.316.0019 Fax

www.wilsonpart.com

## SNAP-ON TRIM - SERIES 525 WITH 1" TRIM FOR A 5 1/4" PARTITION



2301 E. Vernon Ave.  
Vernon, CA 90058  
866.443.7258  
323.908.5430  
323.908.5451 Fax

7601 Ambassador Row  
Suite 102  
Dallas, TX 75247  
214.295.2165  
214.496.0156 Fax

110 Viaduct Rd  
Stamford, CT 06907  
203.316.8033  
203.316.0019 Fax

www.wilsonpart.com

## SNAP-ON TRIM - SERIES 525 WITH 1" TRIM FOR A 5-1/4" PARTITION

