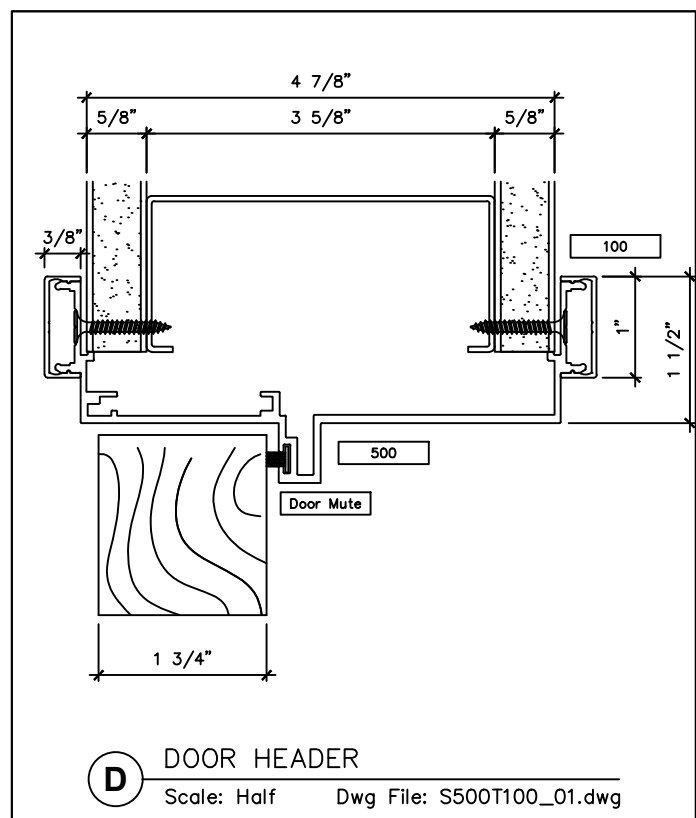
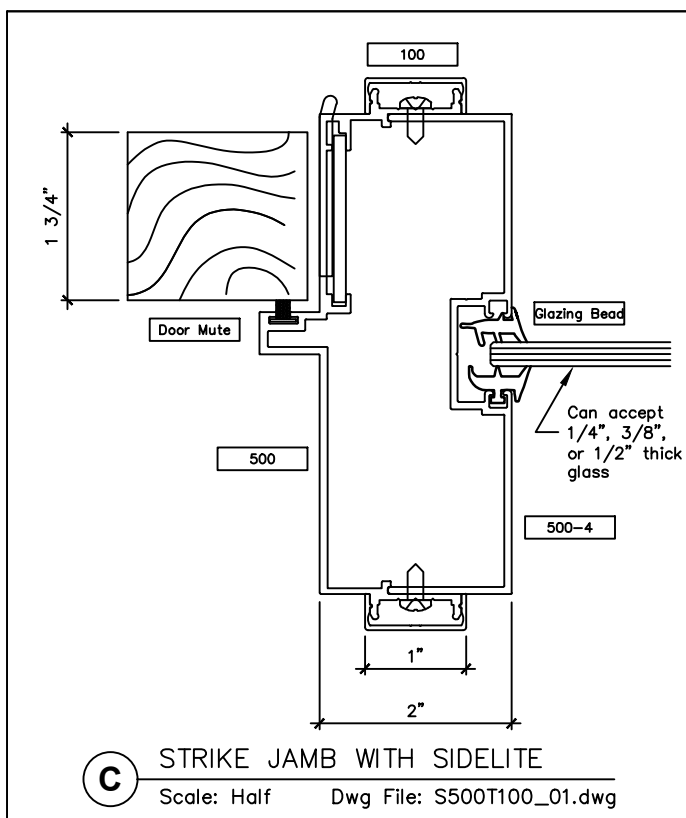
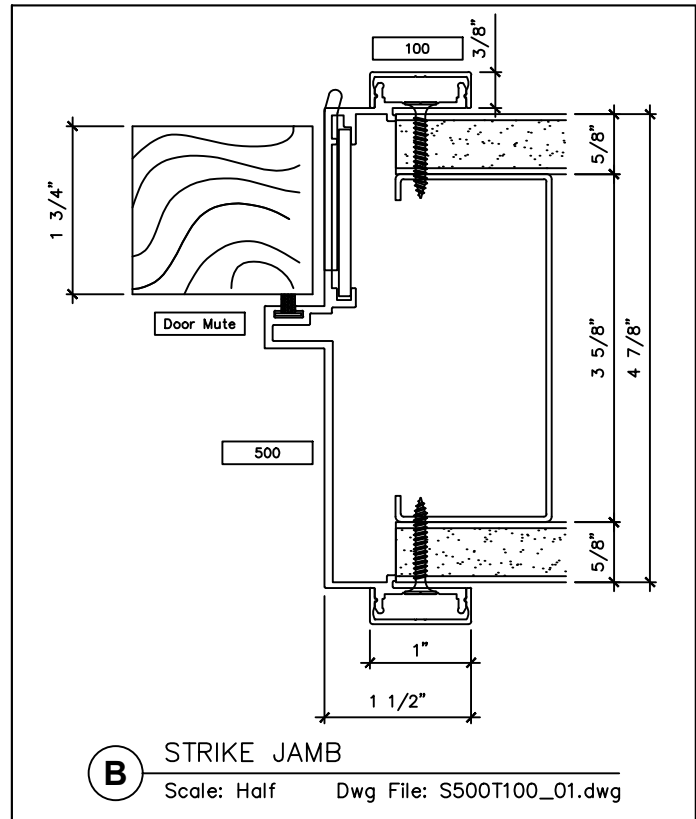
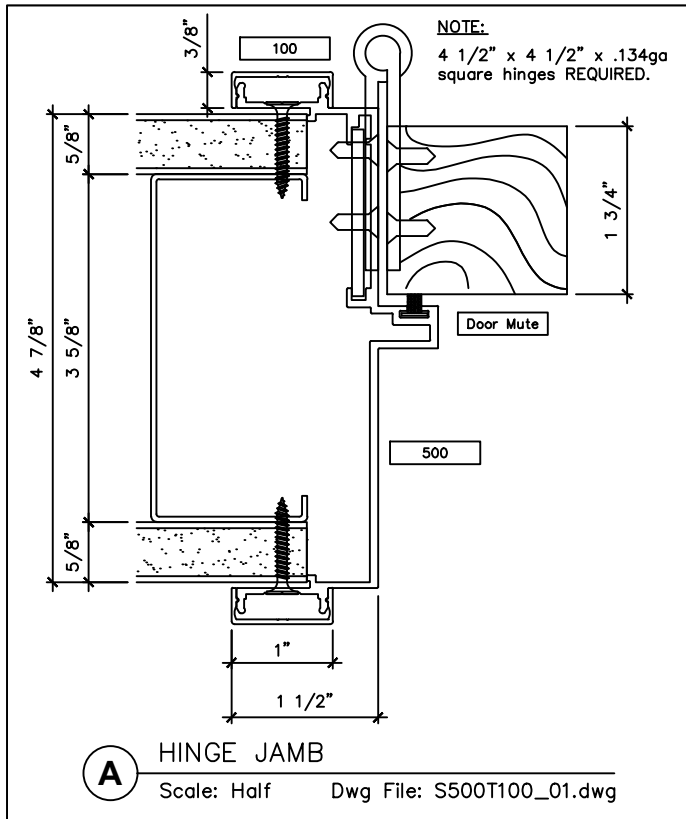


## SNAP ON TRIM - SERIES 500 WITH 1" TRIM FOR A 4 7/8"(5") PARTITION



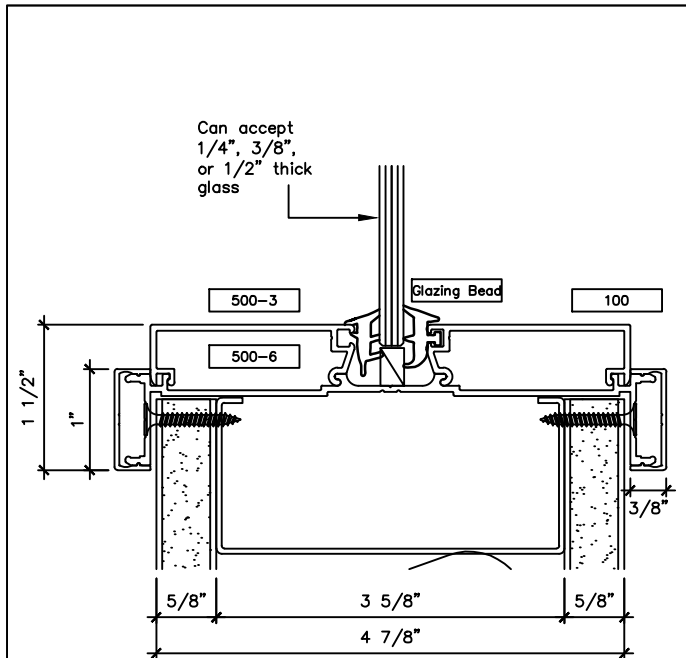
2301 E. Vernon Ave.  
Vernon, CA 90058  
866.443.7258  
323.908.5430  
323.908.5451 Fax

7601 Ambassador Row  
Suite 102  
Dallas, TX 75247  
214.295.2165  
214.496.0156 Fax

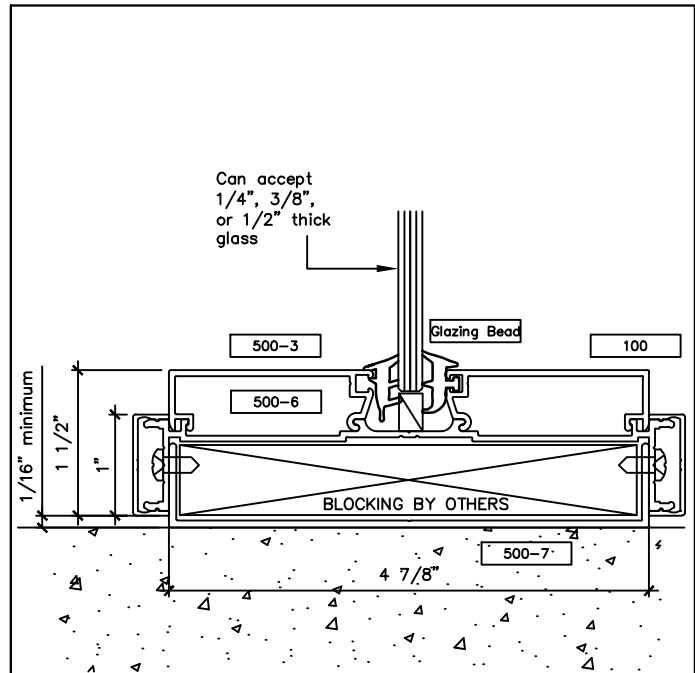
110 Viaduct Rd  
Stamford, CT 06907  
203.316.8033  
203.316.0019 Fax

www.wilsonpart.com

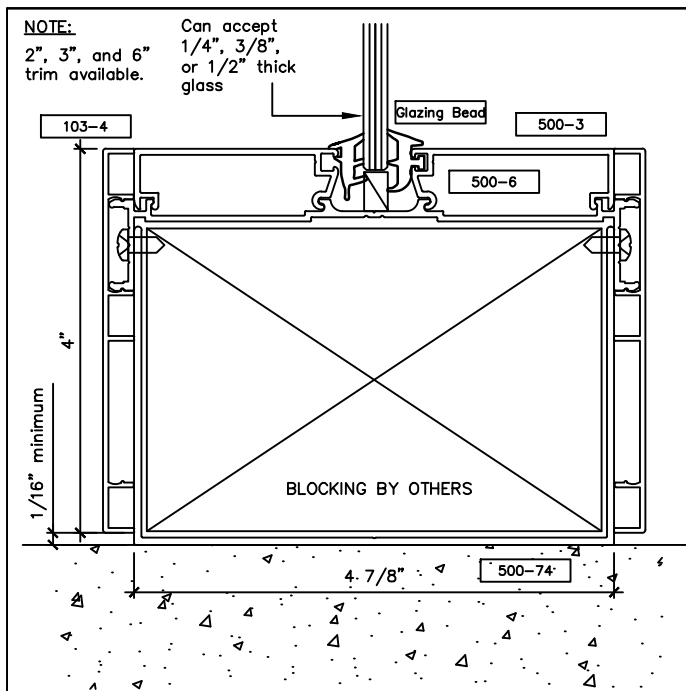
## SNAP ON TRIM - SERIES 500 WITH 1" TRIM FOR A 4 7/8"(5") PARTITION



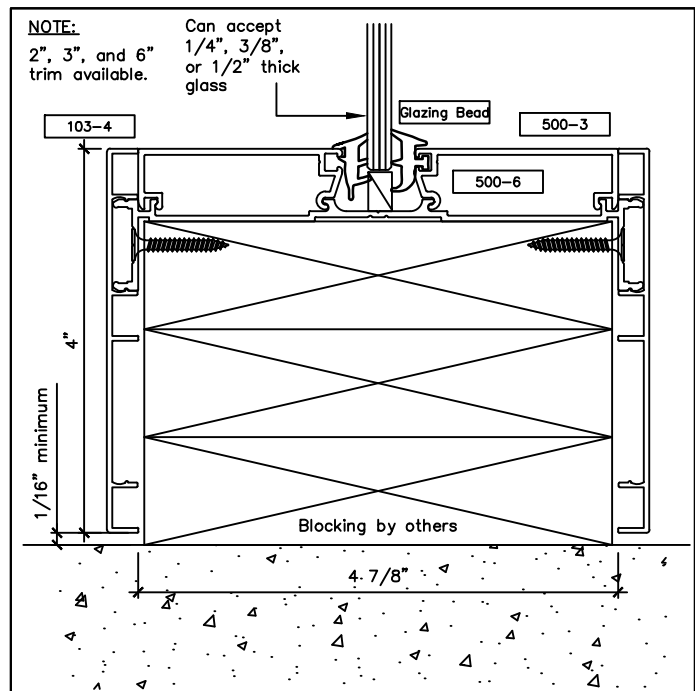
**E** SILL (PARTIAL HEIGHT)  
Scale: Half Dwg File: S500T100\_02.dwg



**E1** SILL (FULL HEIGHT)  
WITH SILL STARTER  
Scale: Half Dwg File: S500T100\_02.dwg



**E2** SILL (FULL HEIGHT)  
WITH 4" BASE  
Scale: Half Dwg File: S500T100\_02.dwg



**E3** SILL (FULL HEIGHT)  
WITH 4" TRIM  
Scale: Half Dwg File: S500T100\_02.dwg

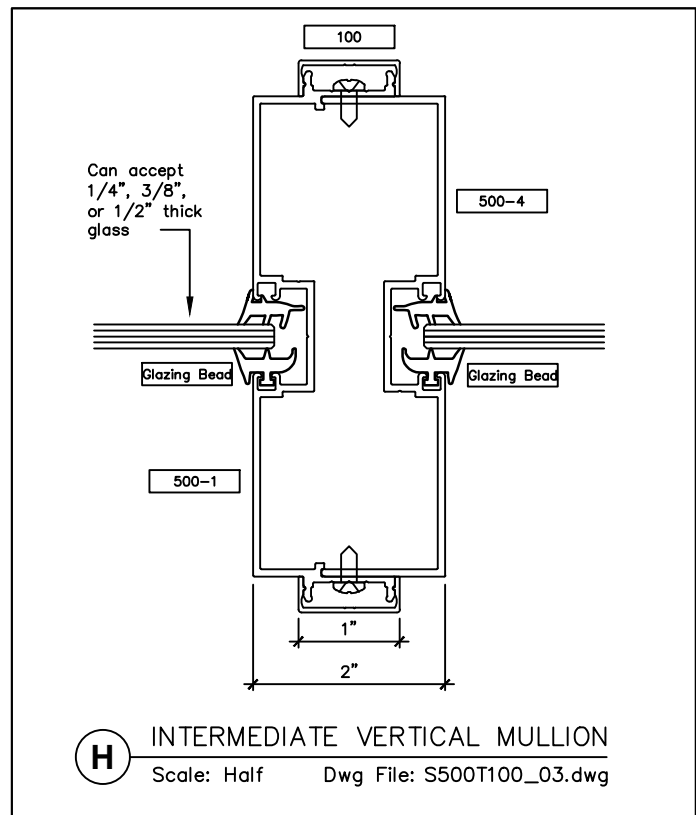
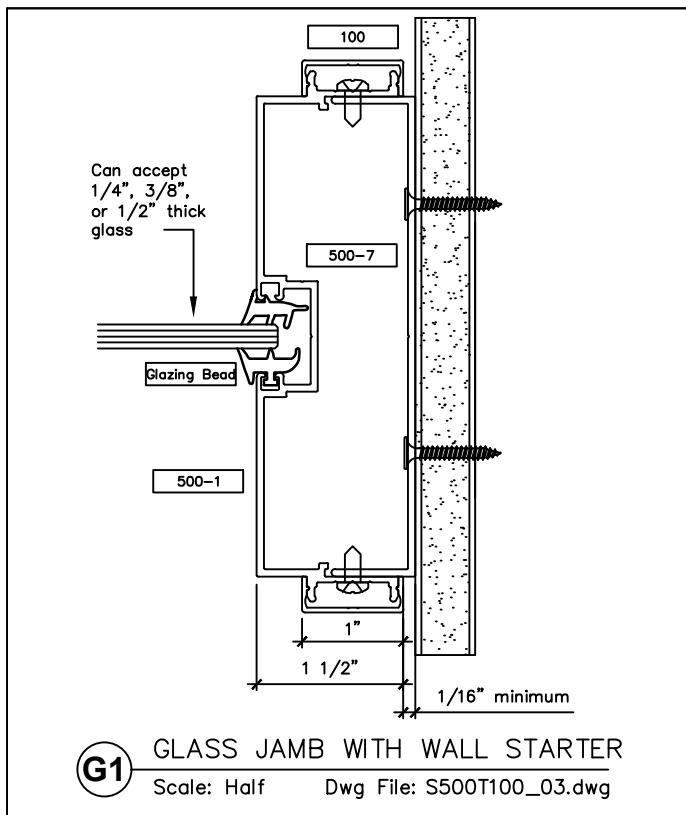
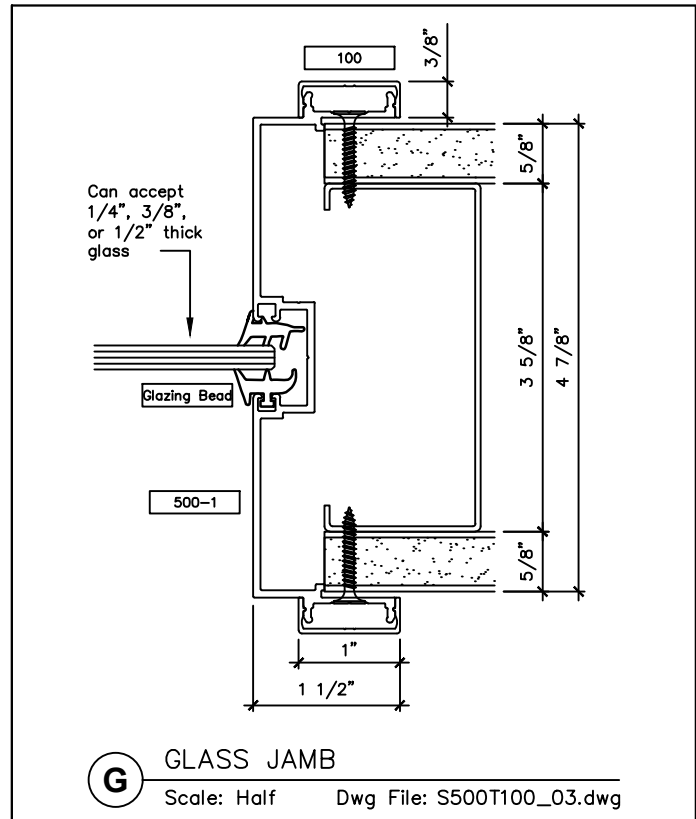
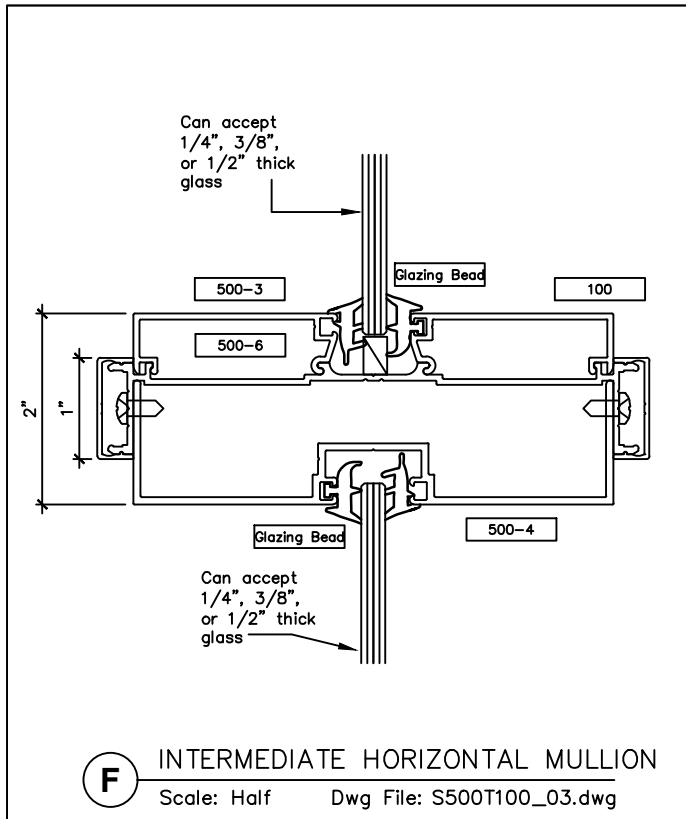
2301 E. Vernon Ave.  
Vernon, CA 90058  
866.443.7258  
323.908.5430  
323.908.5451 Fax

7601 Ambassador Row  
Suite 102  
Dallas, TX 75247  
214.295.2165  
214.496.0156 Fax

110 Viaduct Rd  
Stamford, CT 06907  
203.316.8033  
203.316.0019 Fax

www.wilsonpart.com

## SNAP ON TRIM - SERIES 500 WITH 1" TRIM FOR A 4 7/8"(5") PARTITION



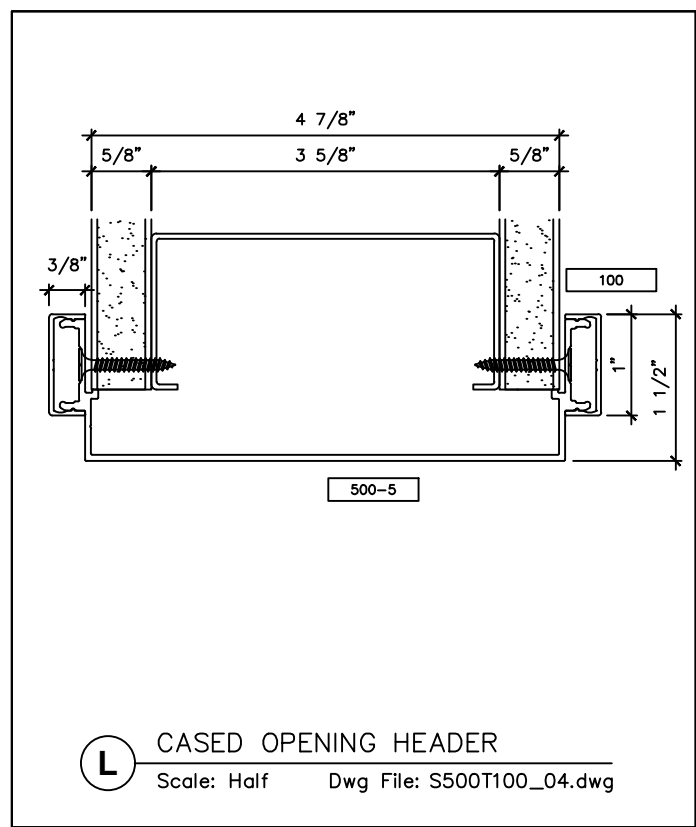
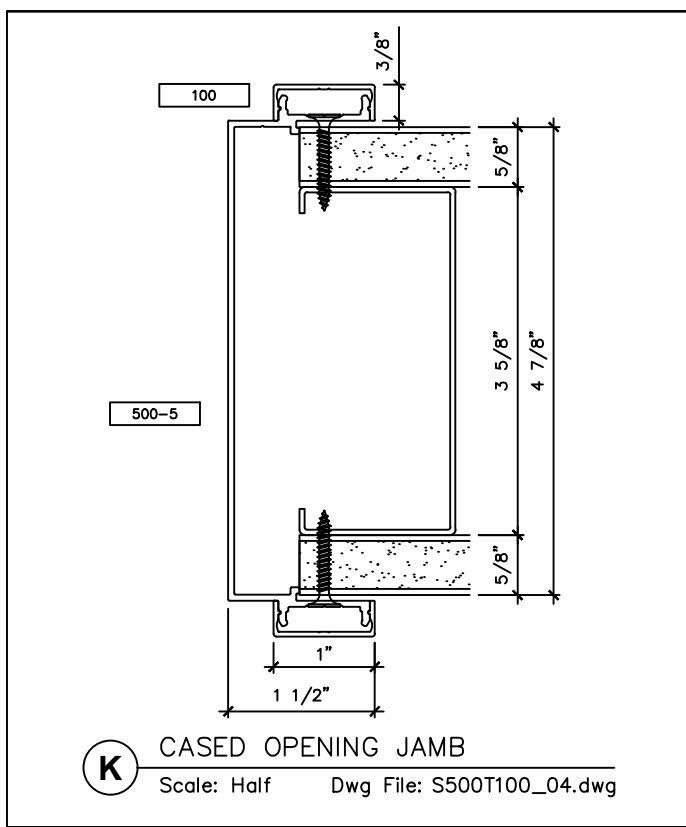
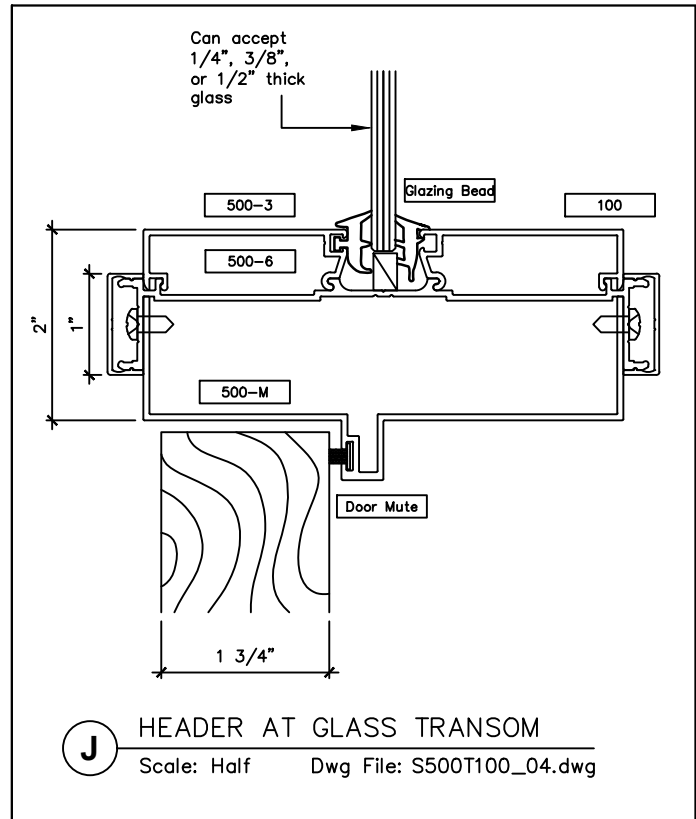
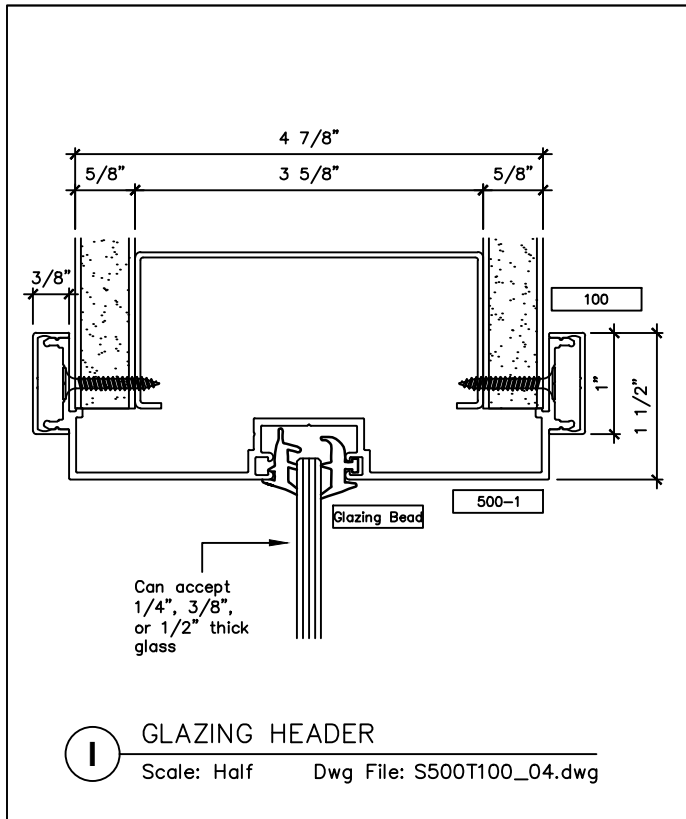
2301 E. Vernon Ave.  
Vernon, CA 90058  
866.443.7258  
323.908.5430  
323.908.5451 Fax

7601 Ambassador Row  
Suite 102  
Dallas, TX 75247  
214.295.2165  
214.496.0156 Fax

110 Viaduct Rd  
Stamford, CT 06907  
203.316.8033  
203.316.0019 Fax

www.wilsonpart.com

## SNAP ON TRIM - SERIES 500 WITH 1" TRIM FOR A 4 7/8"(5") PARTITION



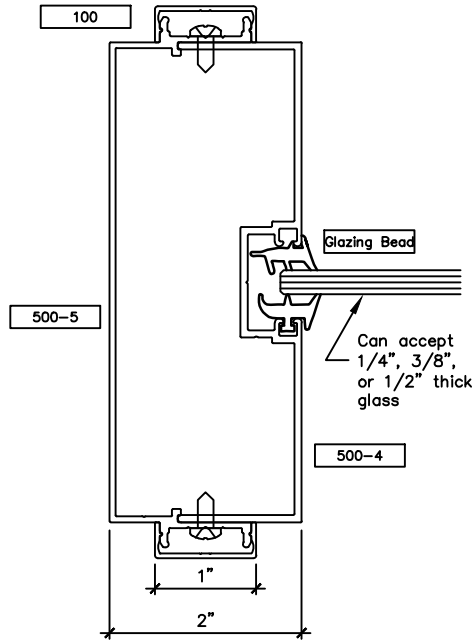
2301 E. Vernon Ave.  
Vernon, CA 90058  
866.443.7258  
323.908.5430  
323.908.5451 Fax

7601 Ambassador Row  
Suite 102  
Dallas, TX 75247  
214.295.2165  
214.496.0156 Fax

110 Viaduct Rd  
Stamford, CT 06907  
203.316.8033  
203.316.0019 Fax

www.wilsonpart.com

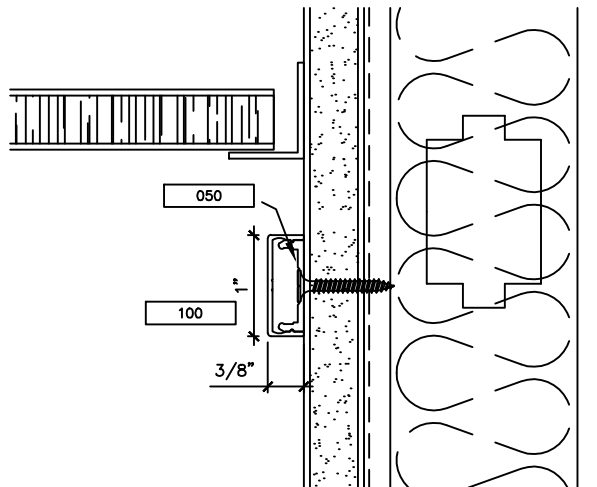
**SNAP ON TRIM - SERIES 500 WITH 1" TRIM FOR A 4 7/8"(5") PARTITION**



CASED OPENING JAMB  
WITH SIDELITE



Scale: Half Dwg File: S500T100\_05.dwg



APPLIED TRIM

Scale: Half Dwg File: S500T100\_05.dwg

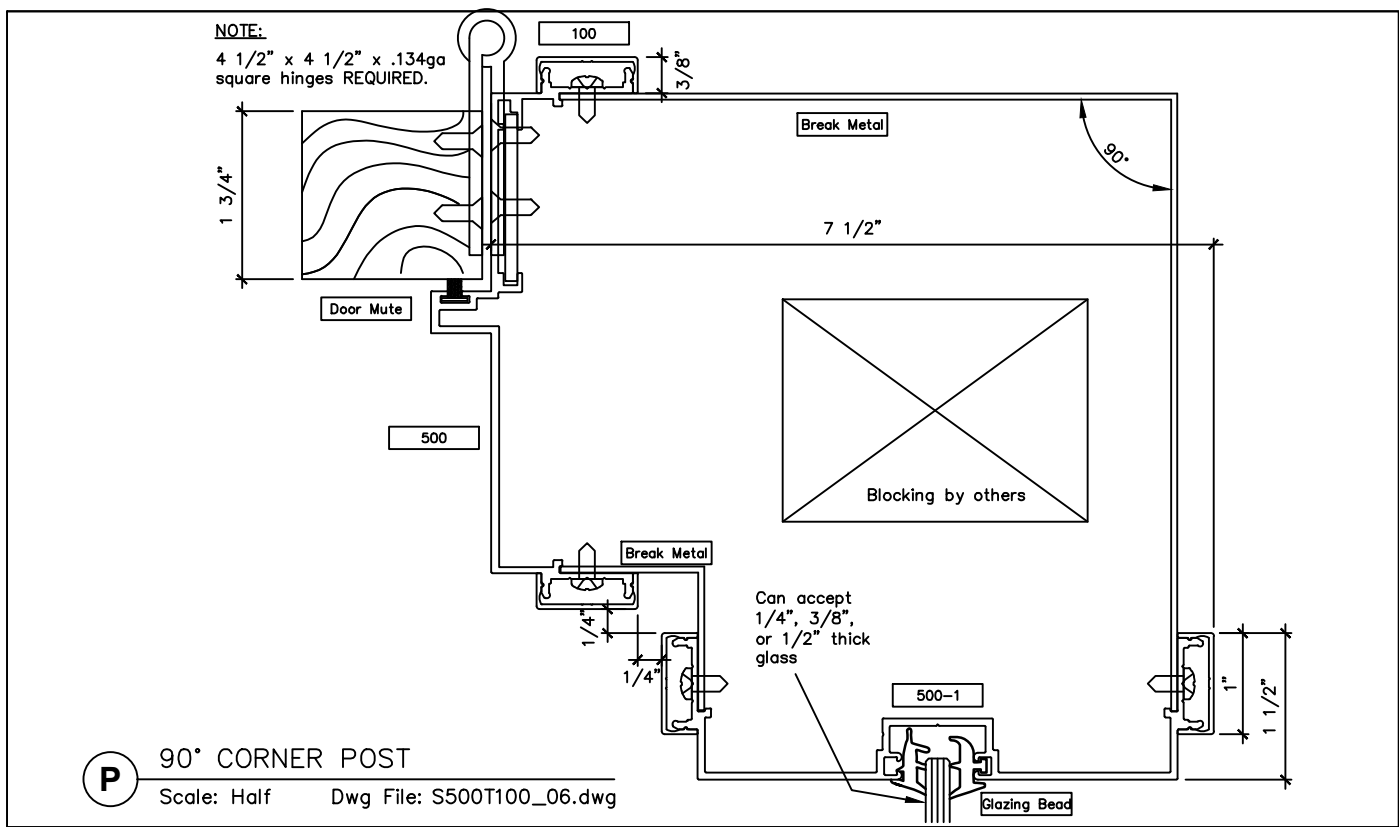
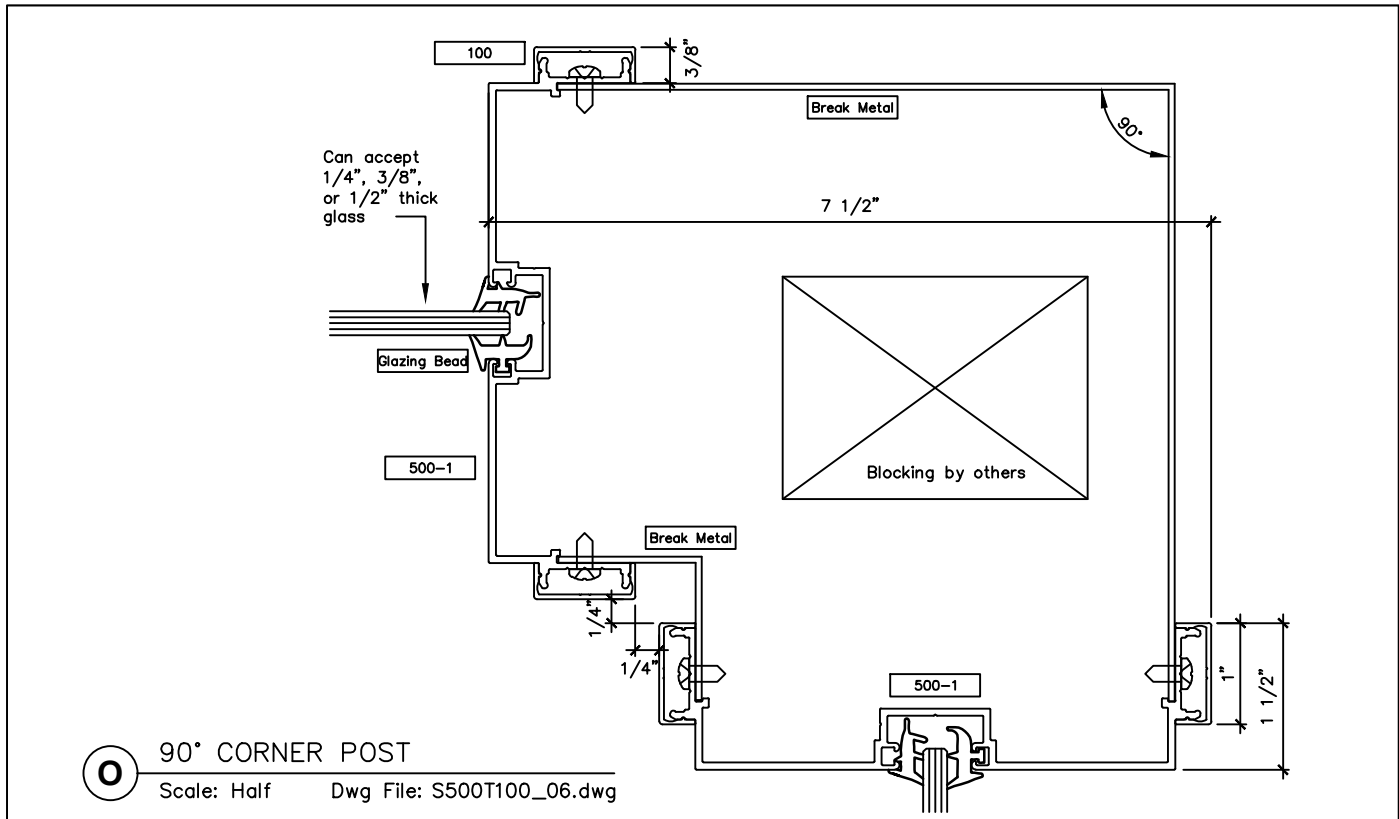
2301 E. Vernon Ave.  
Vernon, CA 90058  
866.443.7258  
323.908.5430  
323.908.5451 Fax

7601 Ambassador Row  
Suite 102  
Dallas, TX 75247  
214.295.2165  
214.496.0156 Fax

110 Viaduct Rd  
Stamford, CT 06907  
203.316.8033  
203.316.0019 Fax

www.wilsonpart.com

## SNAP ON TRIM - SERIES 500 WITH 1" TRIM FOR A 4 7/8"(5") PARTITION



2301 E. Vernon Ave.  
Vernon, CA 90058  
866.443.7258  
323.908.5430  
323.908.5451 Fax

 7601 Ambassador Row  
Suite 102  
Dallas, TX 75247  
214.295.2165  
214.496.0156 Fax

 110 Viaduct Rd  
Stamford, CT 06907  
203.316.8033  
203.316.0019 Fax

[www.wilsonpart.com](http://www.wilsonpart.com)

## SNAP-ON TRIM - SERIES 500 WITH 1" TRIM FOR A 4 7/8" (5") PARTITION

