



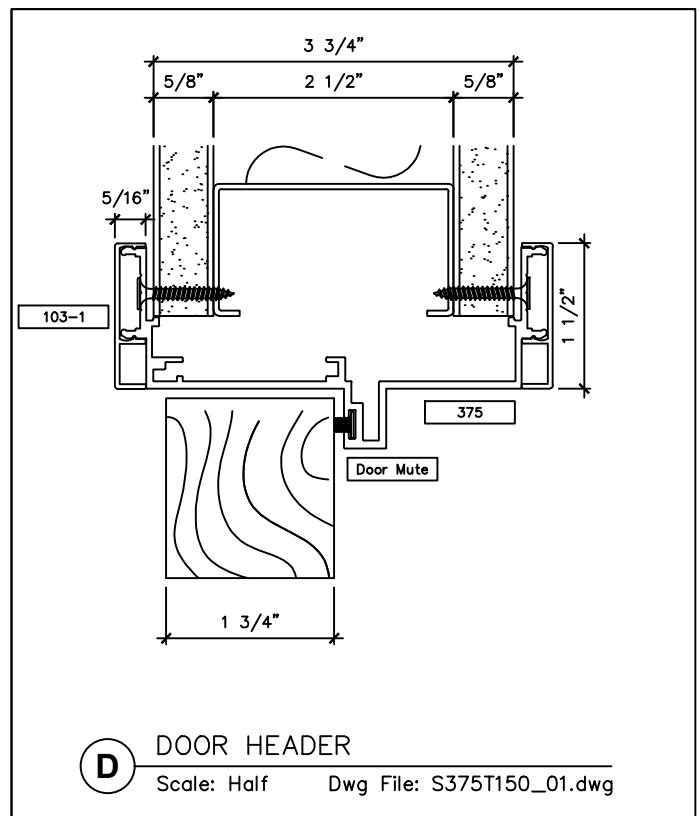
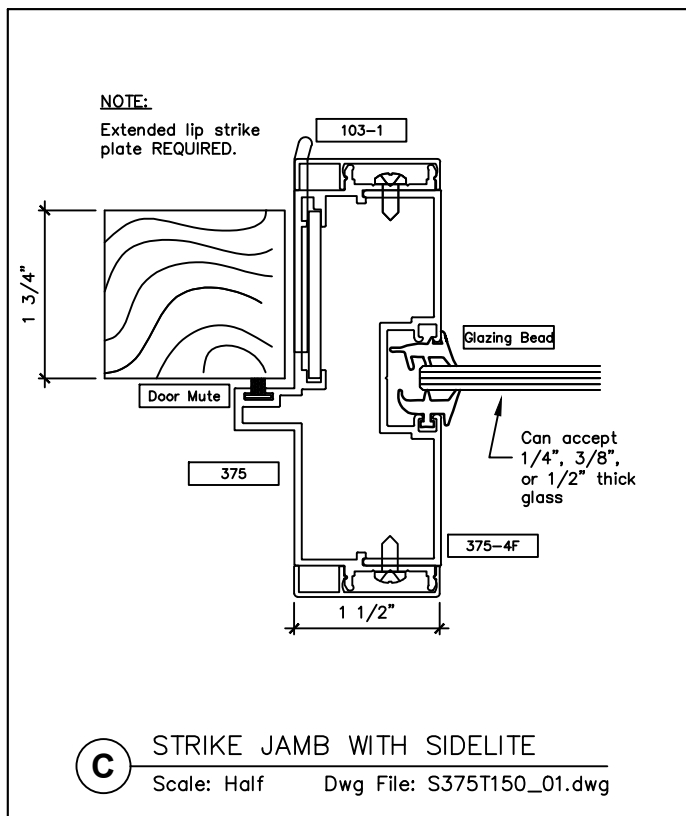
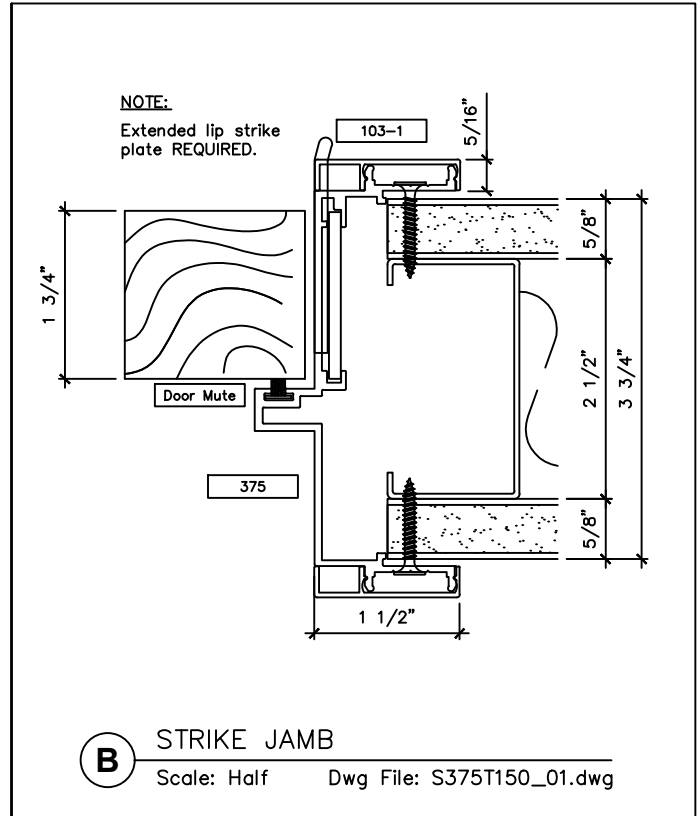
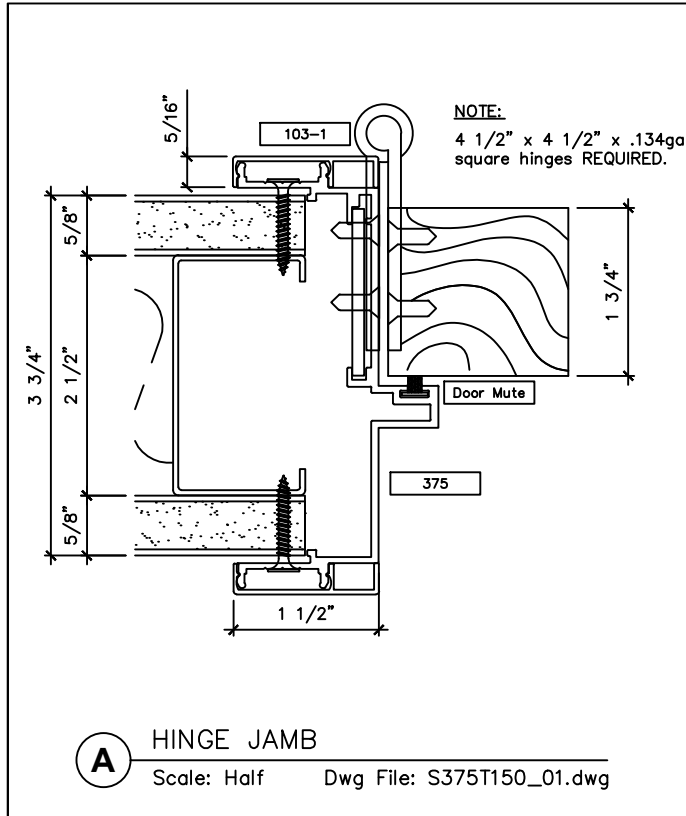
2301 E. Vernon Ave.
Vernon, CA 90058
866.443.7258
323.908.5430
323.908.5451 Fax

7601 Ambassador Row
Suite 102
Dallas, TX 75247
214.295.2165
214.496.0156 Fax

110 Viaduct Rd
Stamford, CT 06907
203.316.8033
203.316.0019 Fax

www.wilsonpart.com

SNAP-ON TRIM - SERIES 375 WITH 1 1/2" TRIM FOR A 3 3/4" PARTITION



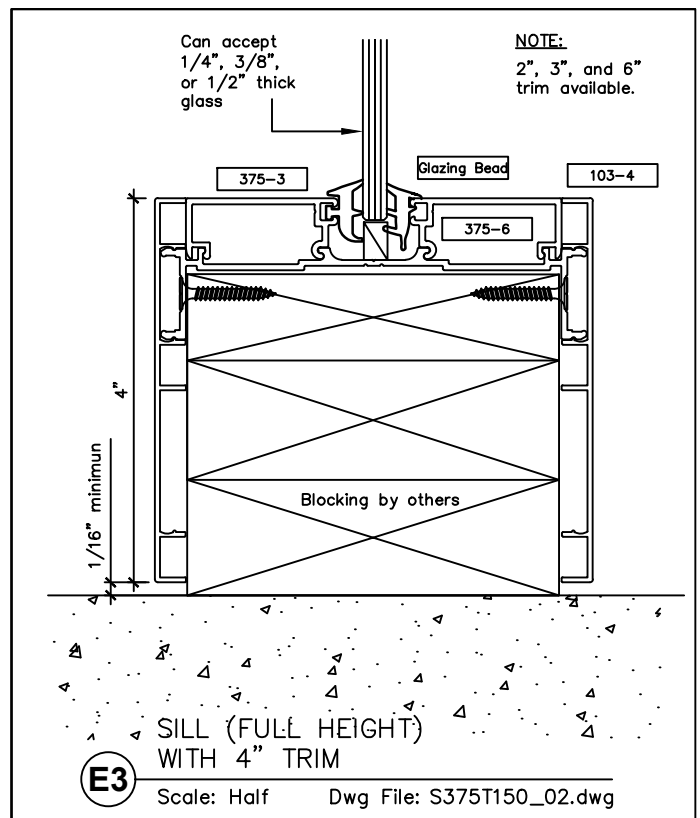
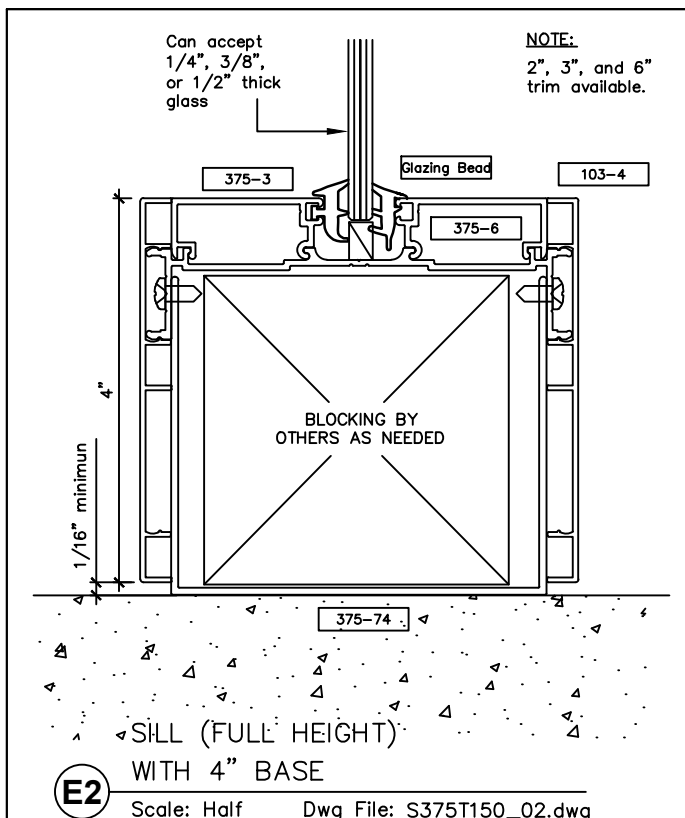
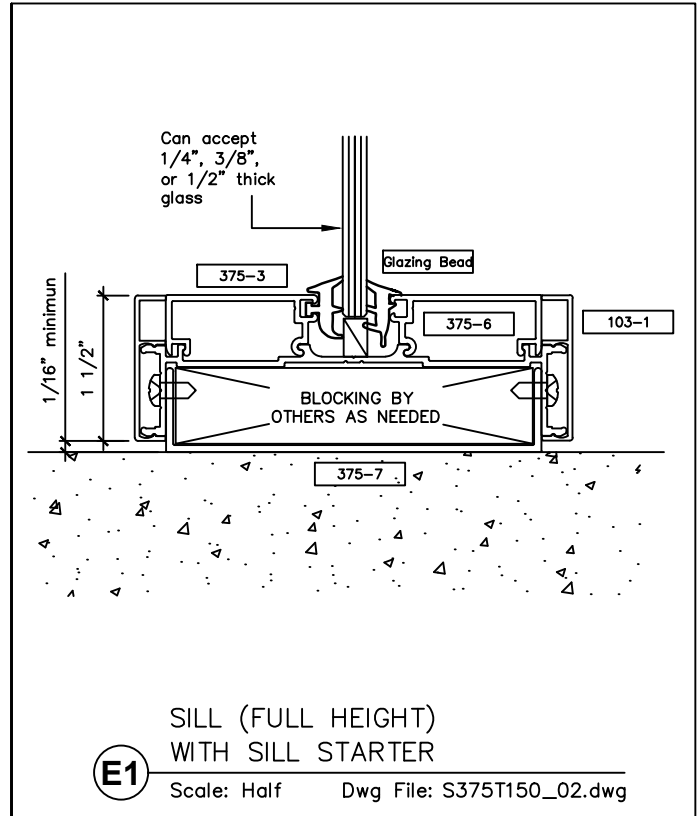
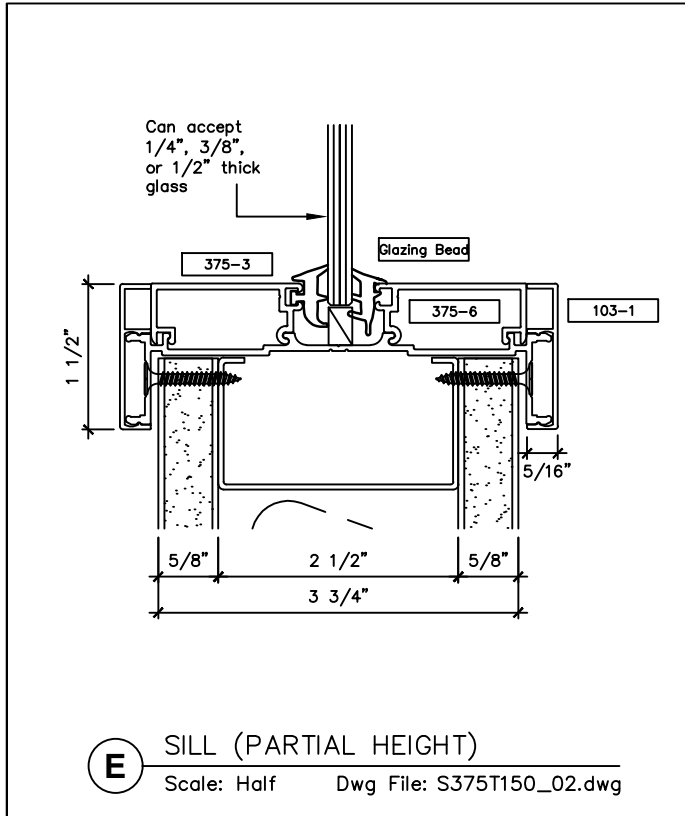
2301 E. Vernon Ave.
Vernon, CA 90058
866.443.7258
323.908.5430
323.908.5451 Fax

7601 Ambassador Row
Suite 102
Dallas, TX 75247
214.295.2165
214.496.0156 Fax

110 Viaduct Rd
Stamford, CT 06907
203.316.8033
203.316.0019 Fax

www.wilsonpart.com

SNAP-ON TRIM - SERIES 375 WITH 1 1/2" TRIM FOR A 3 3/4" PARTITION



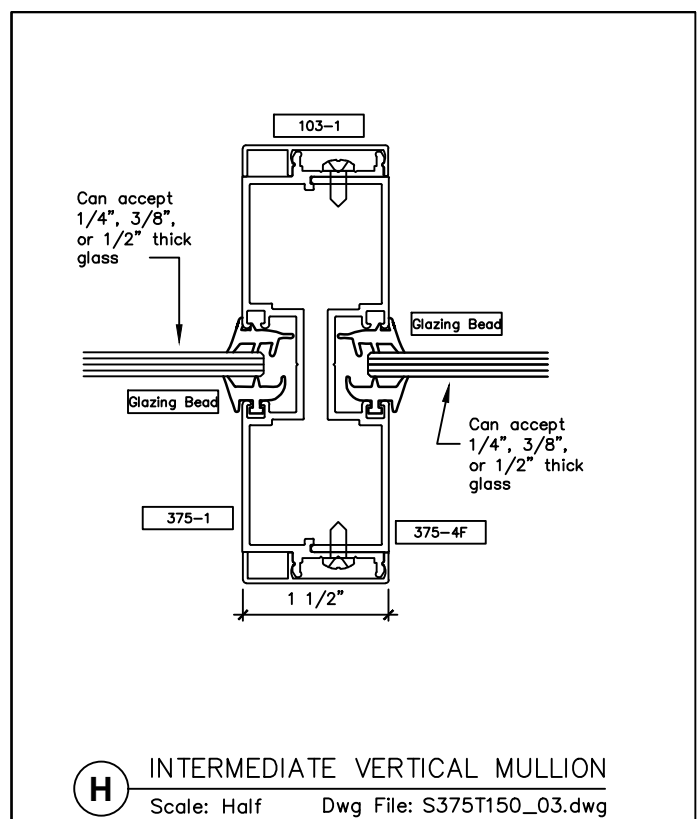
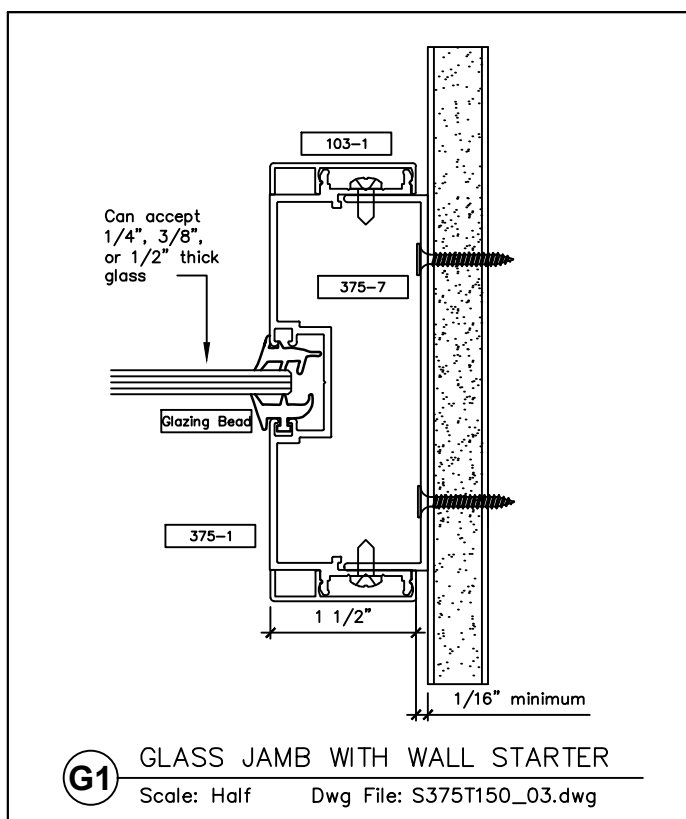
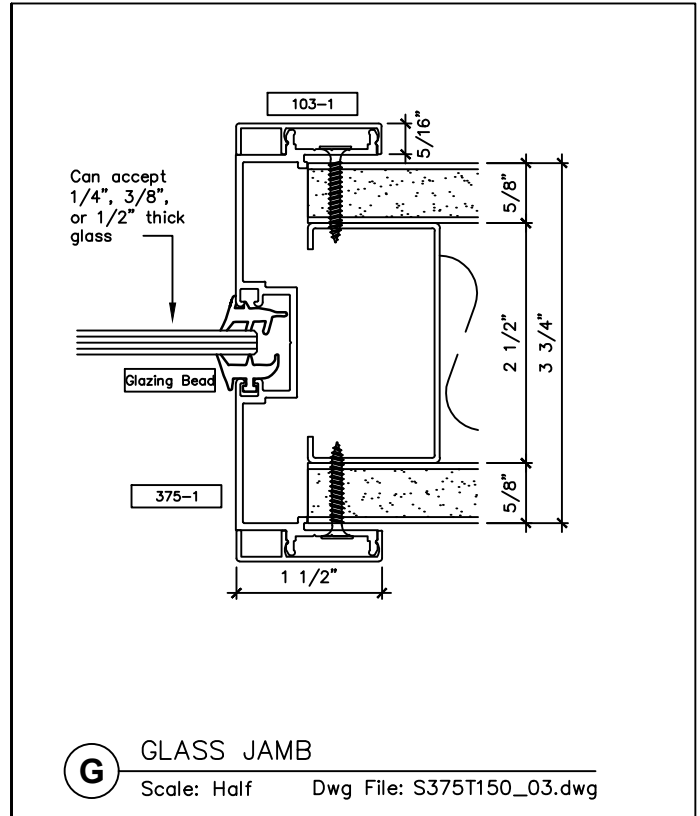
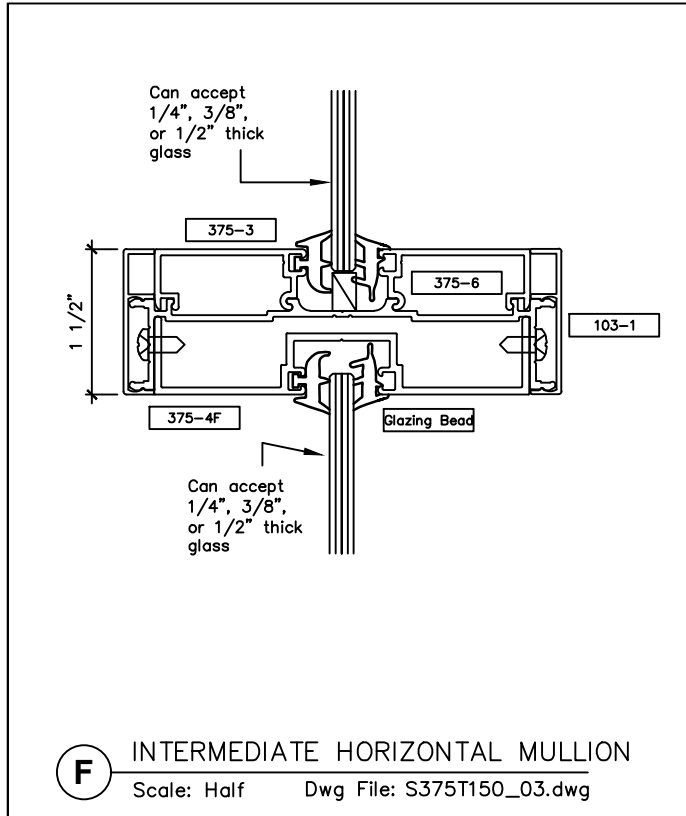
2301 E. Vernon Ave.
Vernon, CA 90058
866.443.7258
323.908.5430
323.908.5451 Fax

7601 Ambassador Row
Suite 102
Dallas, TX 75247
214.295.2165
214.496.0156 Fax

110 Viaduct Rd
Stamford, CT 06907
203.316.8033
203.316.0019 Fax

www.wilsonpart.com

SNAP-ON TRIM - SERIES 375 WITH 1 1/2" TRIM FOR A 3 3/4" PARTITION



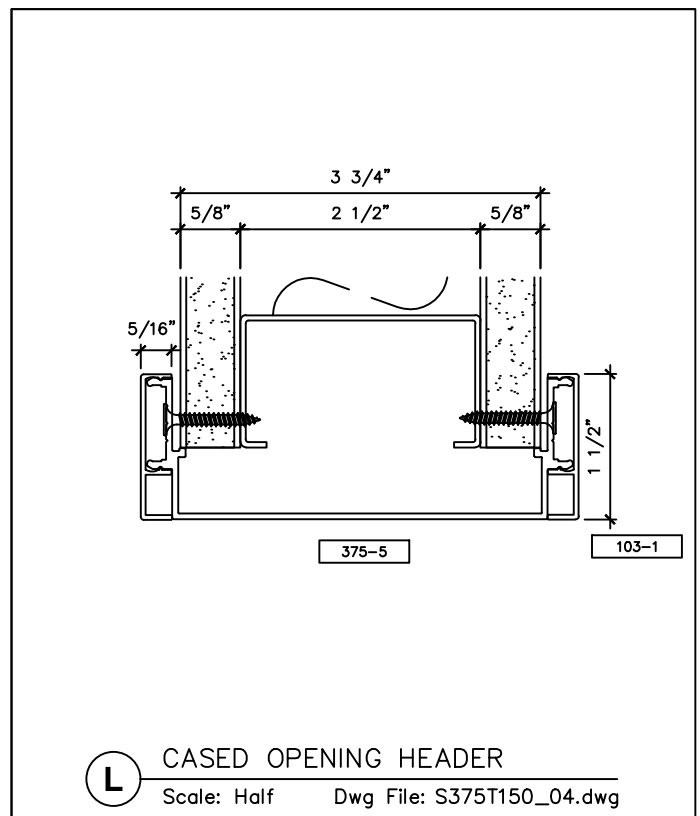
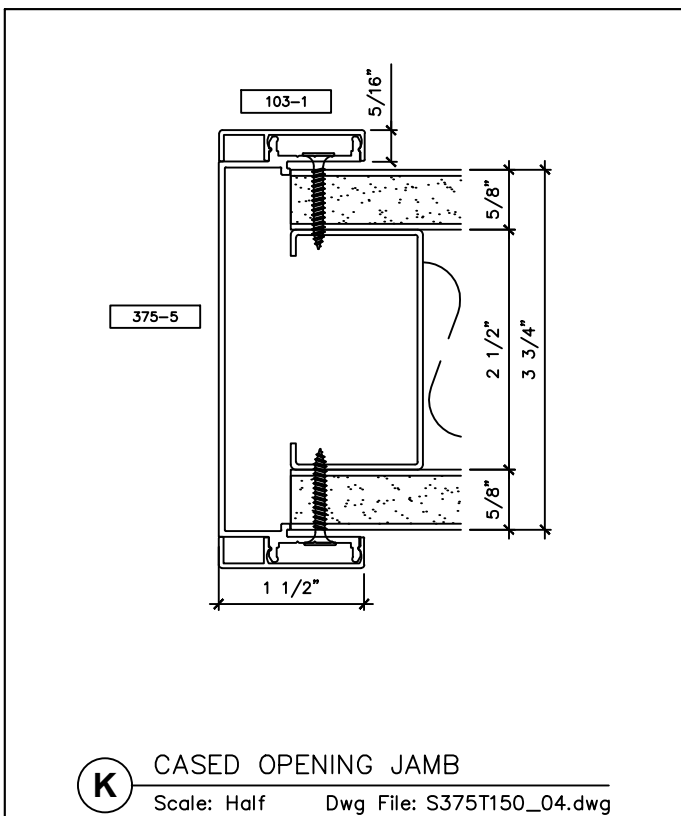
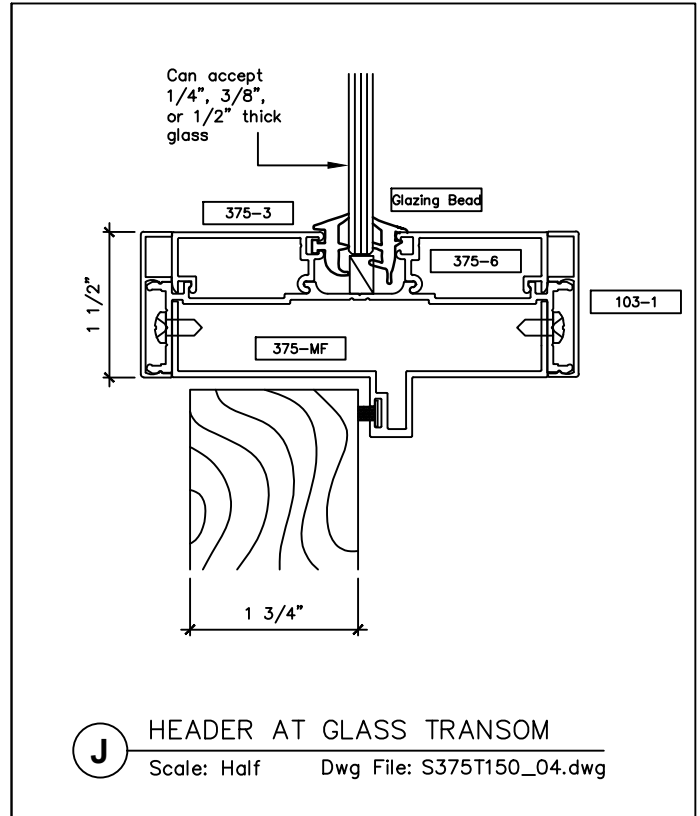
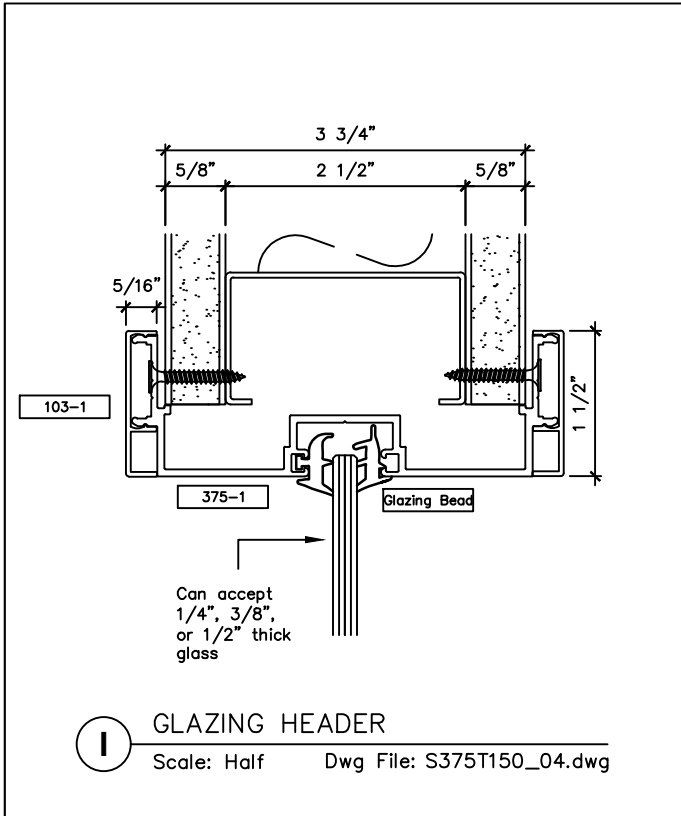
2301 E. Vernon Ave.
Vernon, CA 90058
866.443.7258
323.908.5430
323.908.5451 Fax

7601 Ambassador Row
Suite 102
Dallas, TX 75247
214.295.2165
214.496.0156 Fax

110 Viaduct Rd
Stamford, CT 06907
203.316.8033
203.316.0019 Fax

www.wilsonpart.com

SNAP-ON TRIM - SERIES 375 WITH 1 1/2" TRIM FOR A 3 3/4" PARTITION





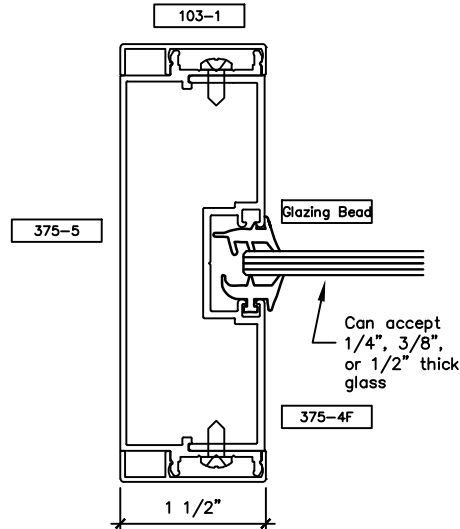
2301 E. Vernon Ave.
Vernon, CA 90058
866.443.7258
323.908.5430
323.908.5451 Fax

7601 Ambassador Row
Suite 102
Dallas, TX 75247
214.295.2165
214.496.0156 Fax

110 Viaduct Rd
Stamford, CT 06907
203.316.8033
203.316.0019 Fax

www.wilsonpart.com

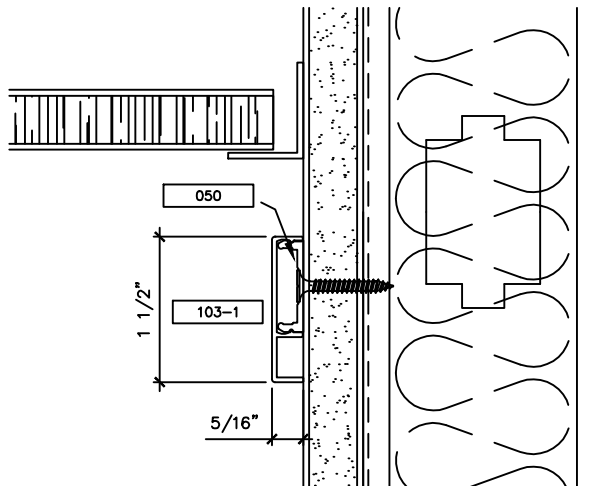
SNAP-ON TRIM - SERIES 375 WITH 1 1/2" TRIM FOR A 3 3/4" PARTITION



CASED OPENING JAMB
WITH SIDELITE



Scale: Half Dwg File: S375T150_05.dwg



APPLIED TRIM

Scale: Half Dwg File: S375T150_05.dwg

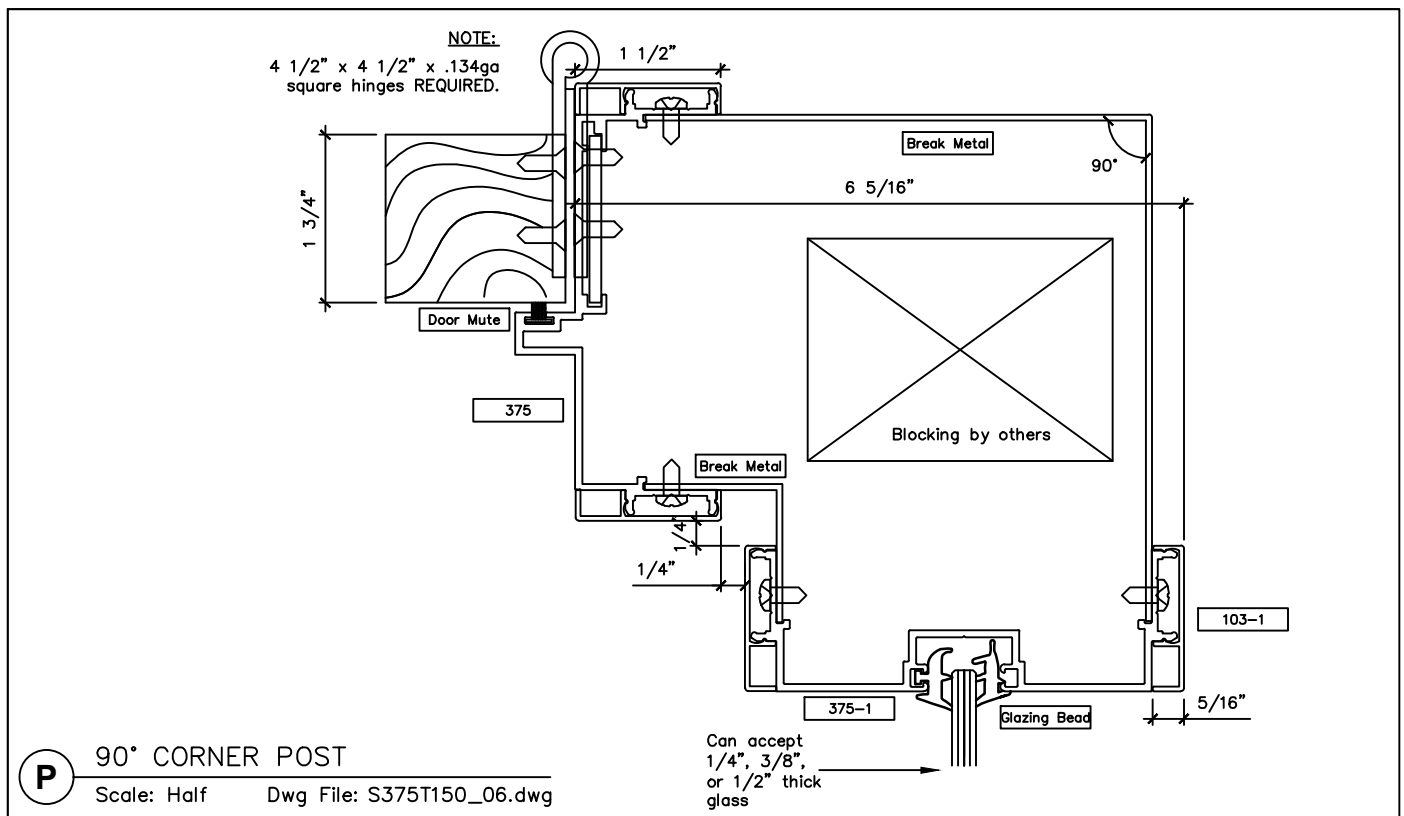
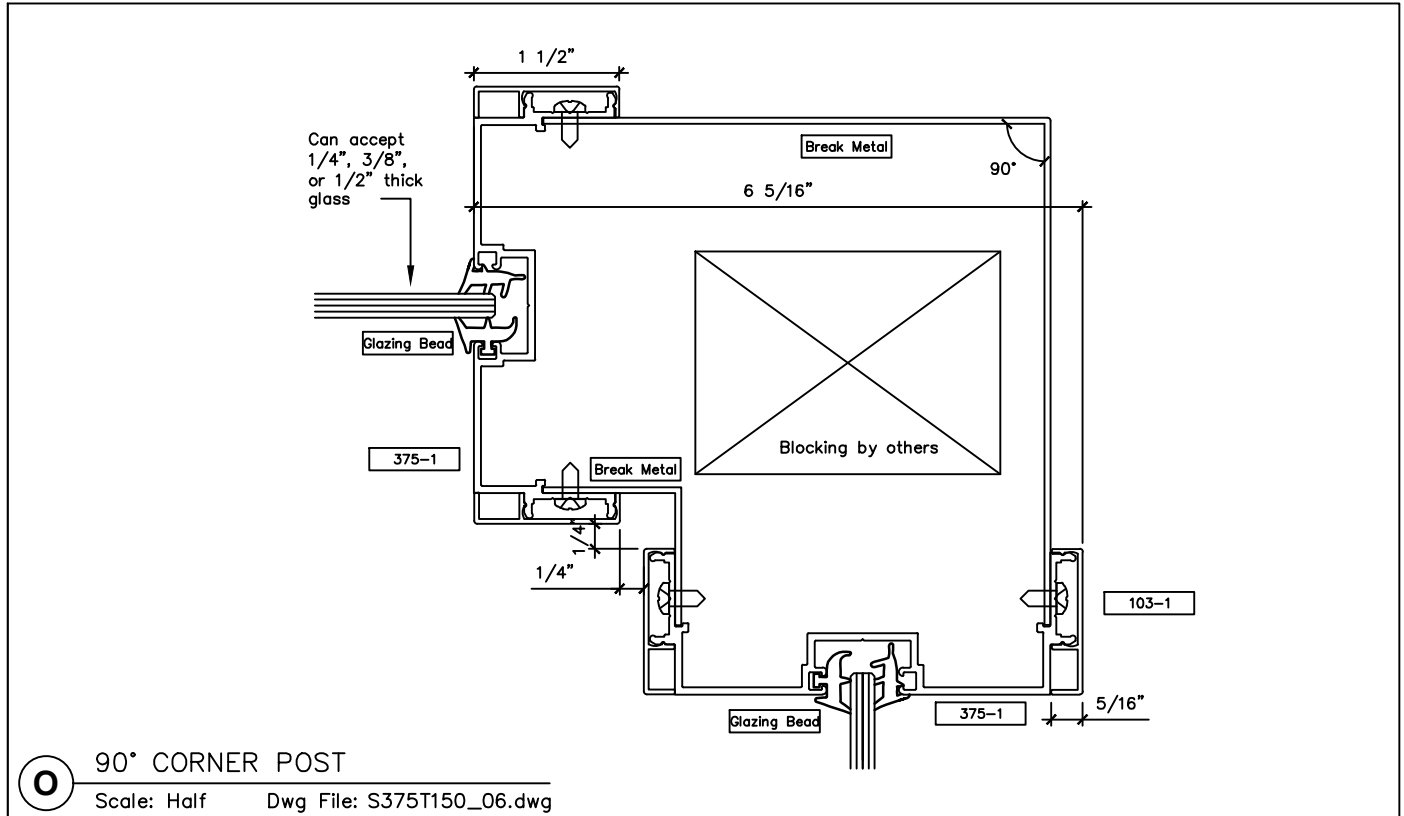
2301 E. Vernon Ave.
Vernon, CA 90058
866.443.7258
323.908.5430
323.908.5451 Fax

7601 Ambassador Row
Suite 102
Dallas, TX 75247
214.295.2165
214.496.0156 Fax

110 Viaduct Rd
Stamford, CT 06907
203.316.8033
203.316.0019 Fax

www.wilsonpart.com

SNAP-ON TRIM - SERIES 375 WITH 1 1/2" TRIM FOR A 3 3/4" PARTITION



2301 E. Vernon Ave.
Vernon, CA 90058
866.443.7258
323.908.5430
323.908.5451 Fax

7601 Ambassador Row
Suite 102
Dallas, TX 75247
214.295.2165
214.496.0156 Fax

110 Viaduct Rd
Stamford, CT 06907
203.316.8033
203.316.0019 Fax

www.wilsonpart.com

SNAP-ON TRIM - SERIES 375 WITH 1 1/2" TRIM FOR A 3 3/4" PARTITION

