



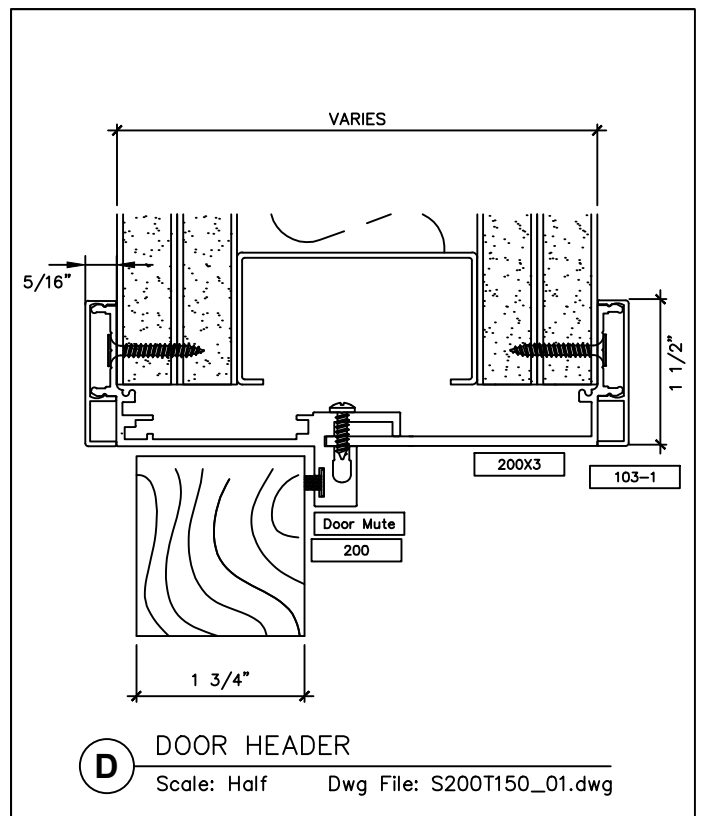
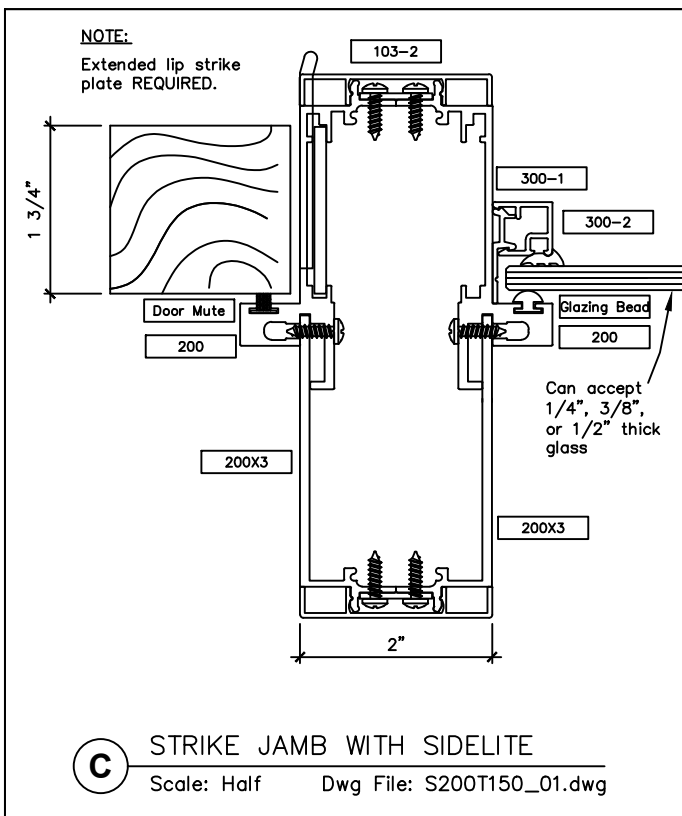
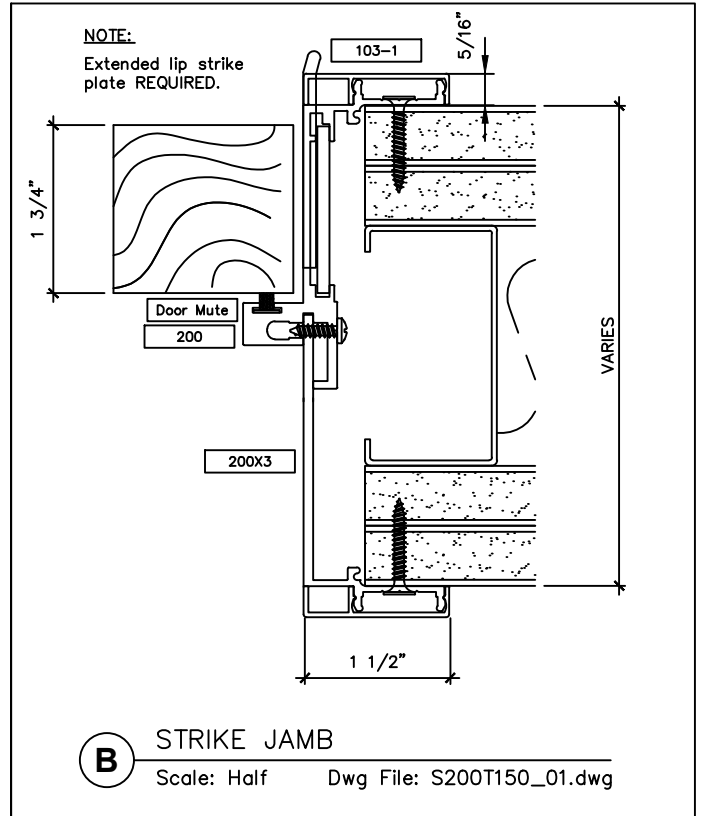
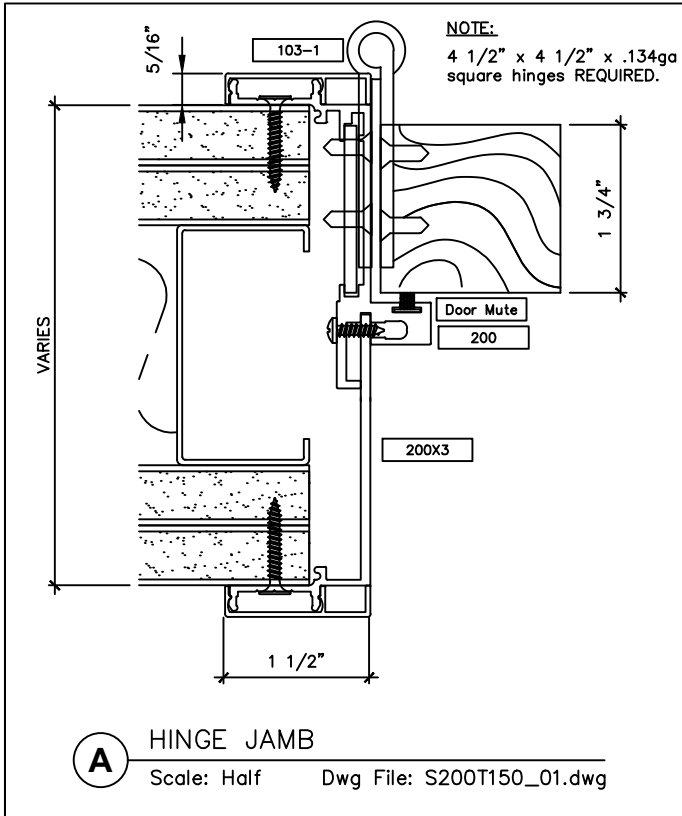
2301 E. Vernon Ave.  
Vernon, CA 90058  
866.443.7258  
323.908.5430  
323.908.5451 Fax

7601 Ambassador Row  
Suite 102  
Dallas, TX 75247  
214.295.2165  
214.496.0156 Fax

110 Viaduct Rd  
Stamford, CT 06907  
203.316.8033  
203.316.0019 Fax

www.wilsonpart.com

## SNAP-ON TRIM - SERIES 200 WITH 1 1/2" TRIM FOR A NON-STANDARD PARTITION



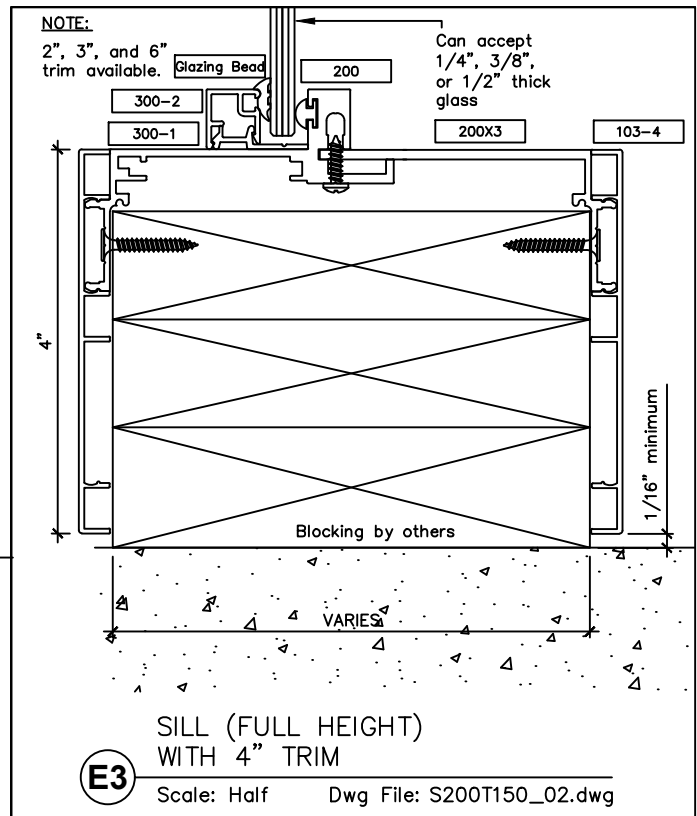
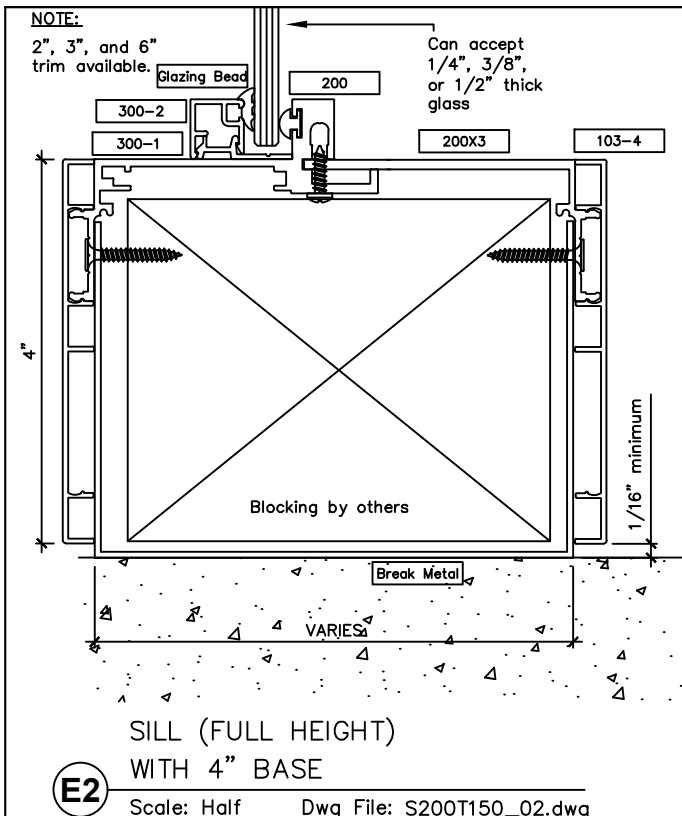
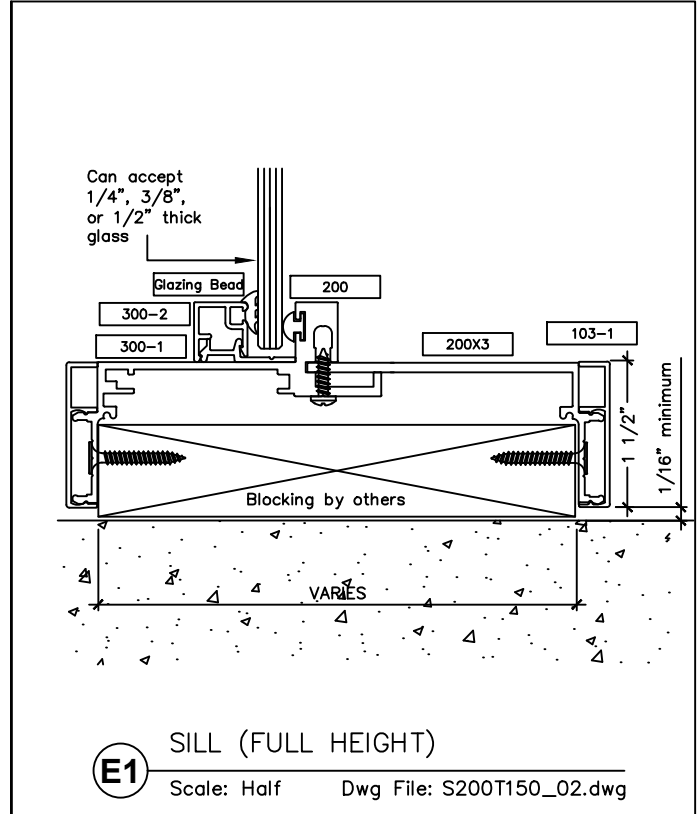
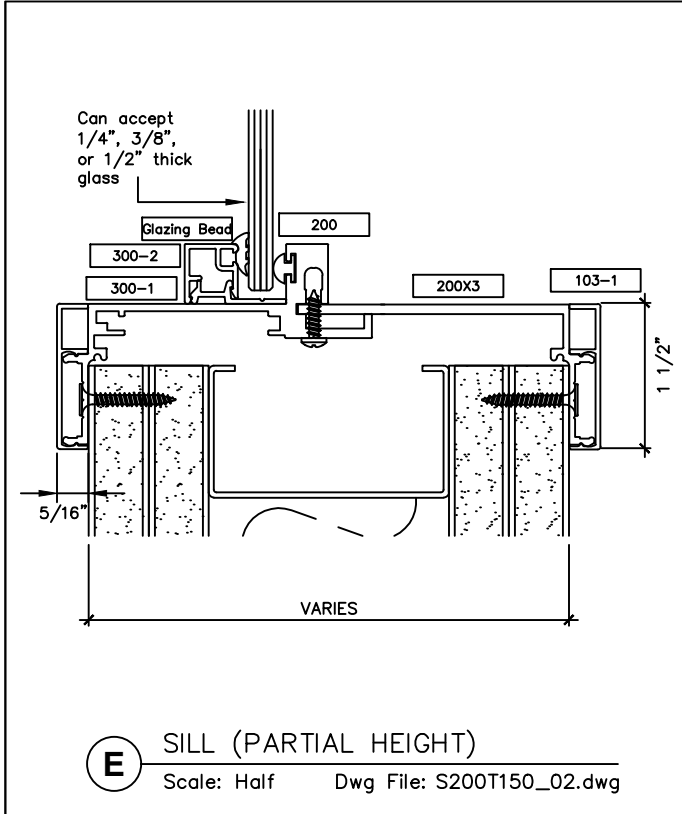
2301 E. Vernon Ave.  
Vernon, CA 90058  
866.443.7258  
323.908.5430  
323.908.5451 Fax

7601 Ambassador Row  
Suite 102  
Dallas, TX 75247  
214.295.2165  
214.496.0156 Fax

110 Viaduct Rd  
Stamford, CT 06907  
203.316.8033  
203.316.0019 Fax

www.wilsonpart.com

## SNAP-ON TRIM - SERIES 200 WITH 1 1/2" TRIM FOR A NON-STANDARD PARTITION



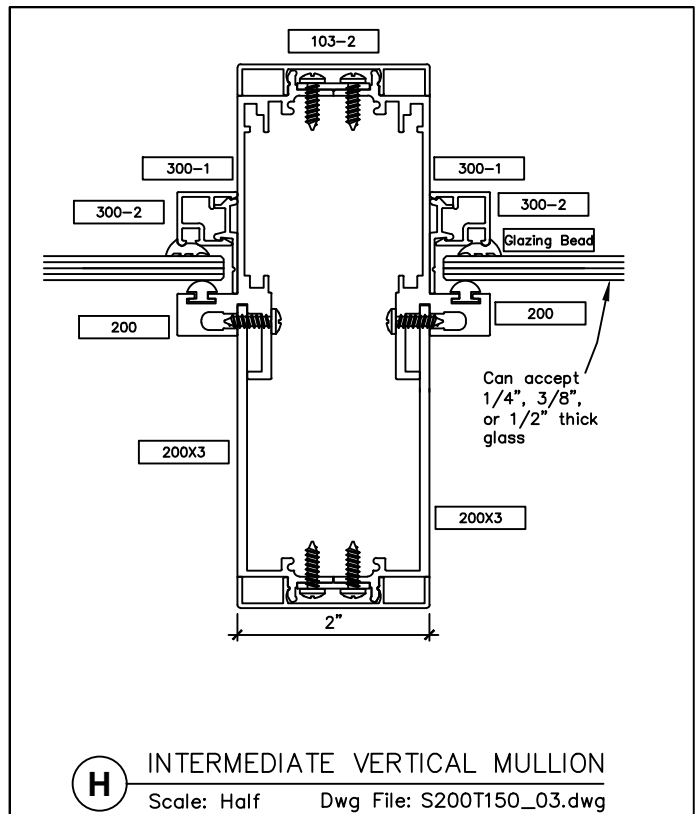
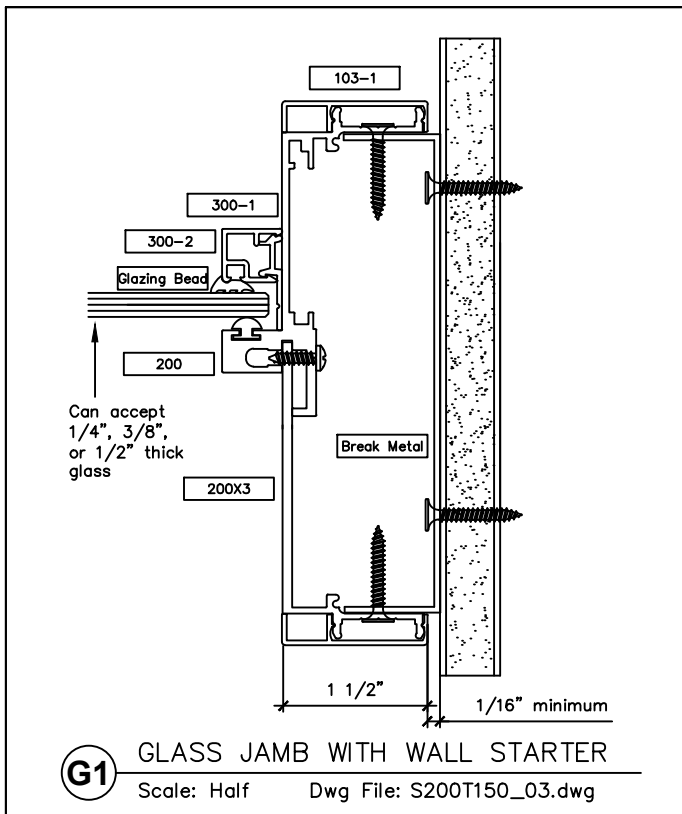
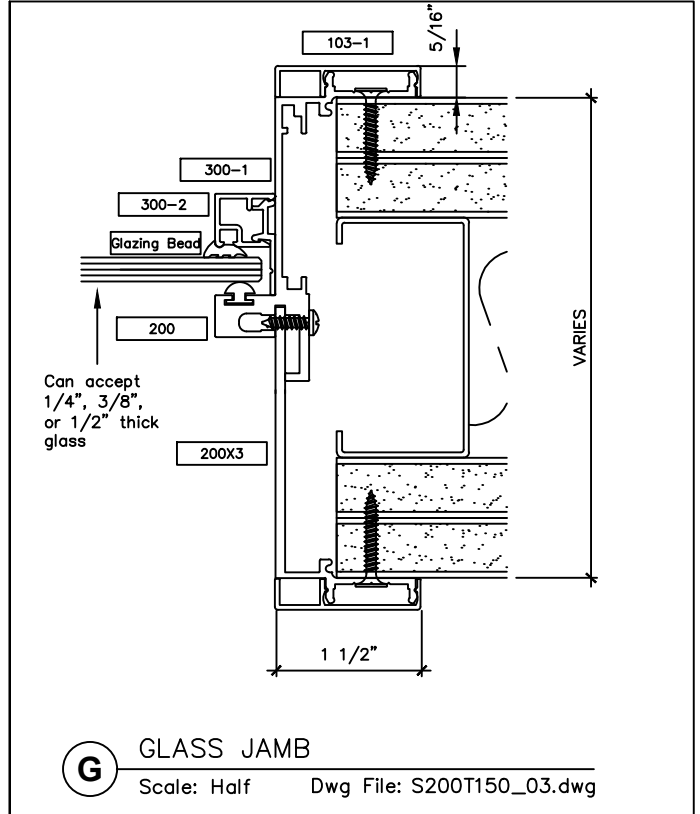
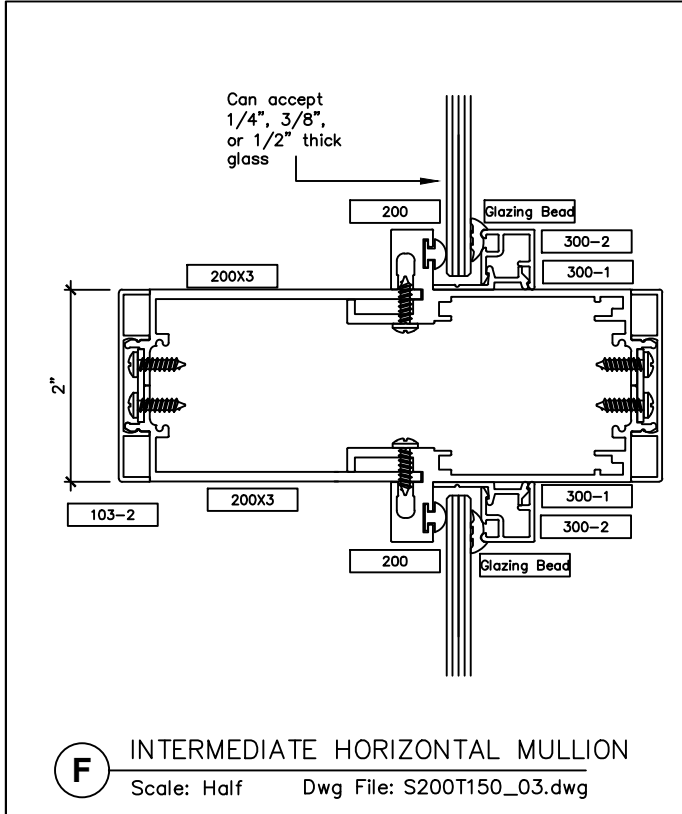
2301 E. Vernon Ave.  
Vernon, CA 90058  
866.443.7258  
323.908.5430  
323.908.5451 Fax

7601 Ambassador Row  
Suite 102  
Dallas, TX 75247  
214.295.2165  
214.496.0156 Fax

110 Viaduct Rd  
Stamford, CT 06907  
203.316.8033  
203.316.0019 Fax

www.wilsonpart.com

## SNAP-ON TRIM - SERIES 200 WITH 1 1/2" TRIM FOR A NON-STANDARD PARTITION



2301 E. Vernon Ave.  
Vernon, CA 90058  
866.443.7258  
323.908.5430  
323.908.5451 Fax

7601 Ambassador Row  
Suite 102  
Dallas, TX 75247  
214.295.2165  
214.496.0156 Fax

110 Viaduct Rd  
Stamford, CT 06907  
203.316.8033  
203.316.0019 Fax

www.wilsonpart.com

## SNAP-ON TRIM - SERIES 200 WITH 1 1/2" TRIM FOR A NON-STANDARD PARTITION

