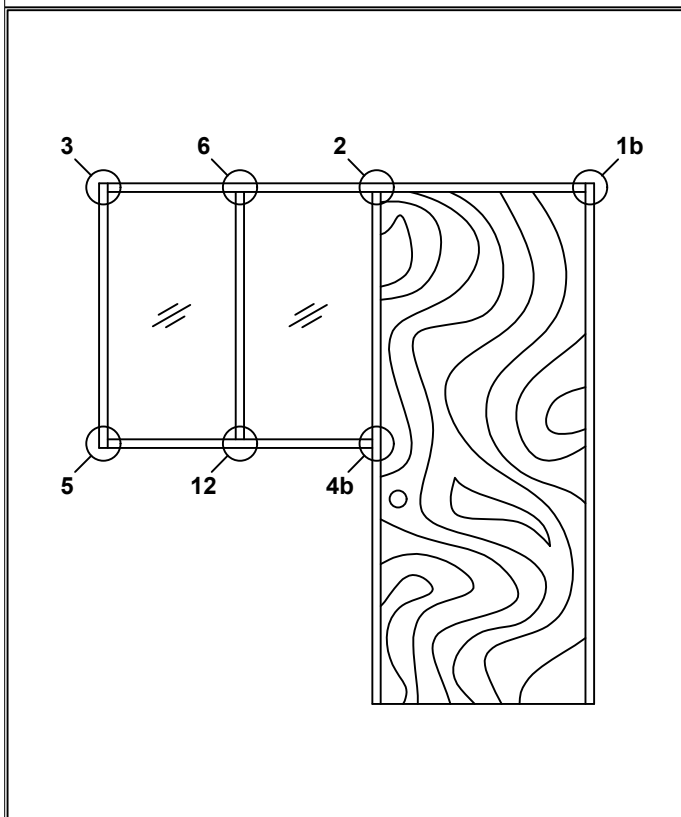
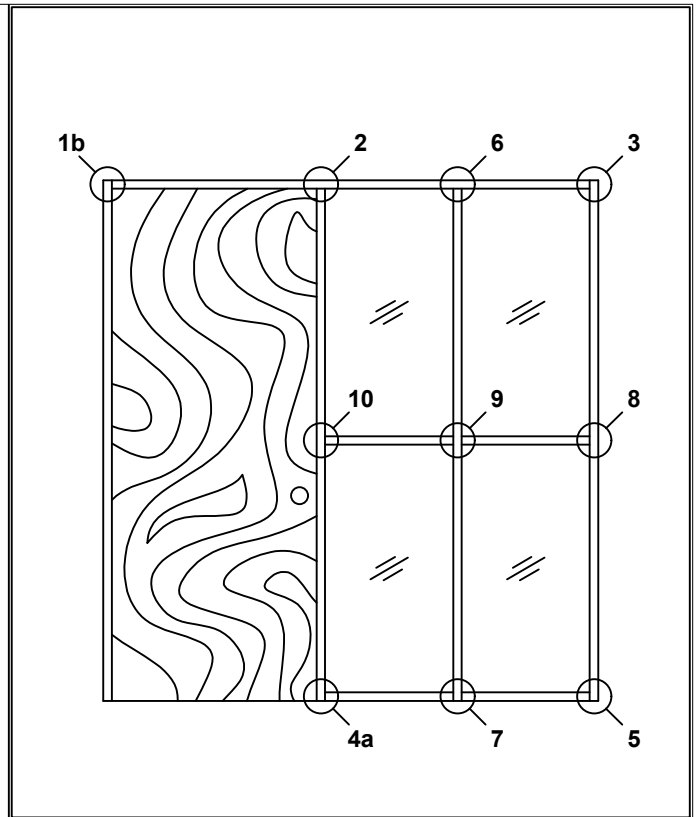
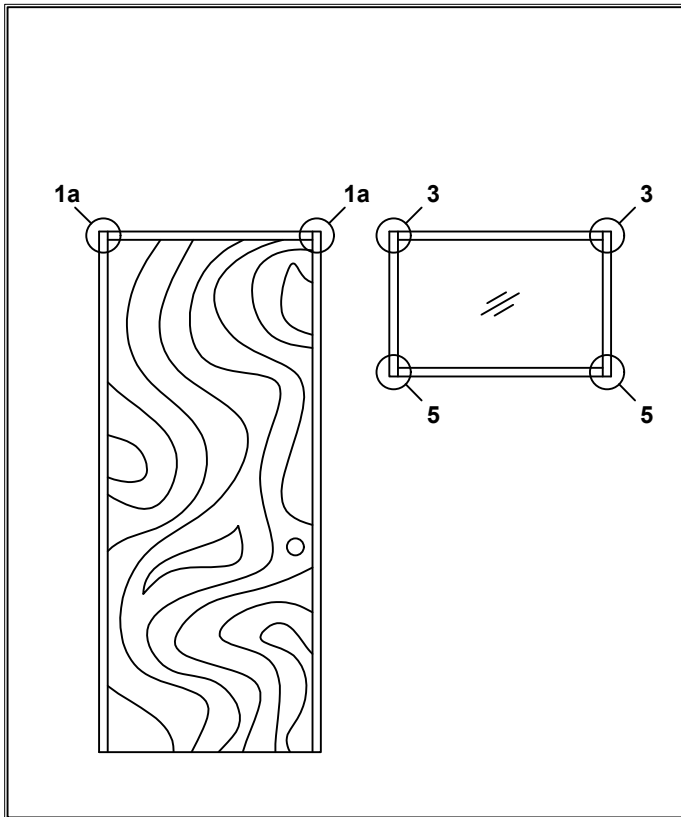


INSTALLATION CLIPS FOR PROJECTED PROFILE





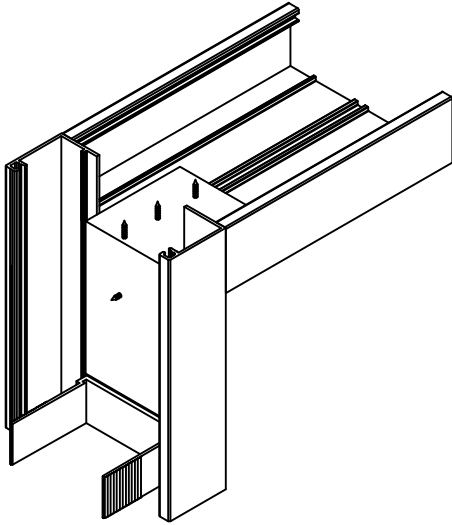
2301 E. Vernon Ave.
Vernon, CA 90058
866.443.7258
323.908.5430
323.908.5451 Fax

7601 Ambassador Row
Suite 102
Dallas, TX 75247
214.295.2165
214.496.0156 Fax

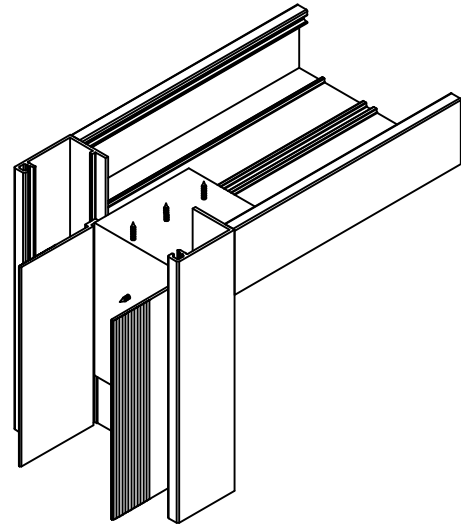
110 Viaduct Rd
Stamford, CT 06907
203.316.8033
203.316.0019 Fax

www.wilsonpart.com

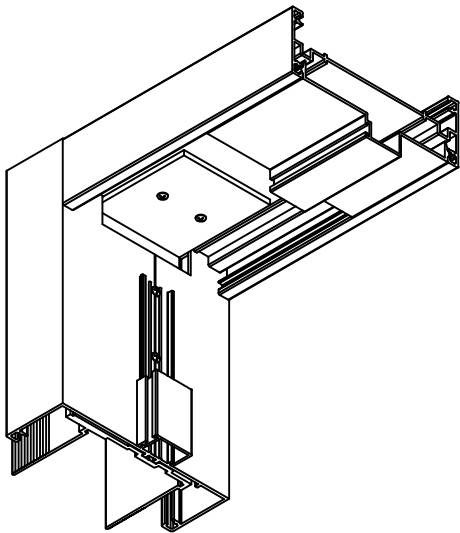
INSTALLATION CLIPS FOR PROJECTED PROFILE



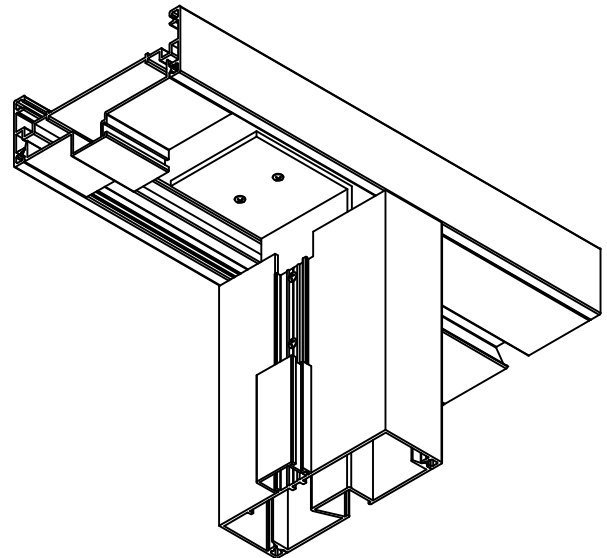
1a DOOR JAMB TO DOOR HEADER
CC2 CLIP - 1 REQUIRED



1b DOOR JAMB TO SIDELITE HEADER
(OUTSIDE VIEW)
CC2 CLIP - 1 REQUIRED



1b DOOR JAMB TO SIDELITE HEADER
(INSIDE VIEW)
CC2 CLIP - 1 REQUIRED



2 STRIKE JAMB AT SIDELITE HEADER
HC3 OR HC4 CLIP - 1 REQUIRED



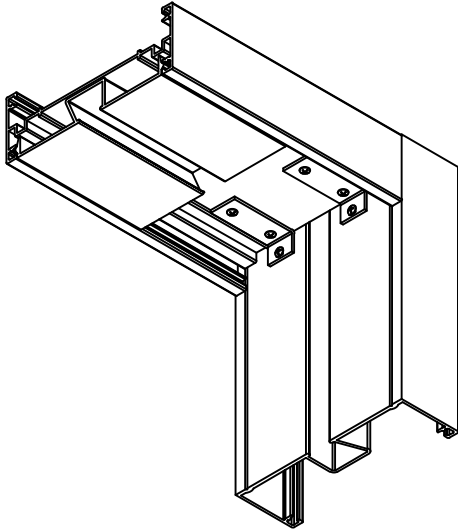
2301 E. Vernon Ave.
Vernon, CA 90058
866.443.7258
323.908.5430
323.908.5451 Fax

7601 Ambassador Row
Suite 102
Dallas, TX 75247
214.295.2165
214.496.0156 Fax

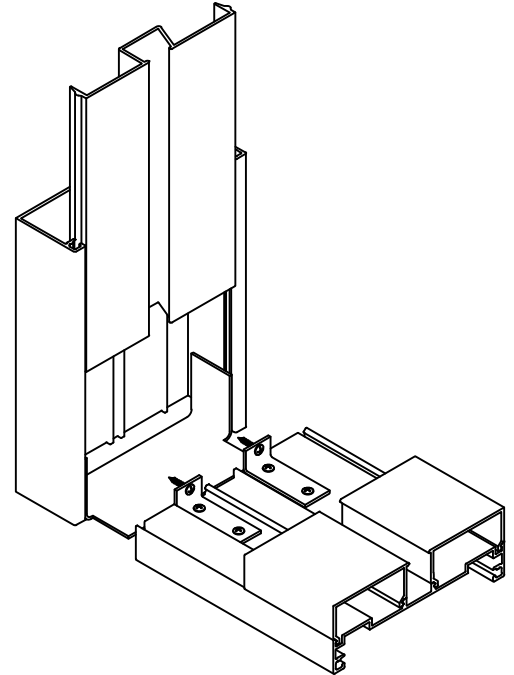
110 Viaduct Rd
Stamford, CT 06907
203.316.8033
203.316.0019 Fax

www.wilsonpart.com

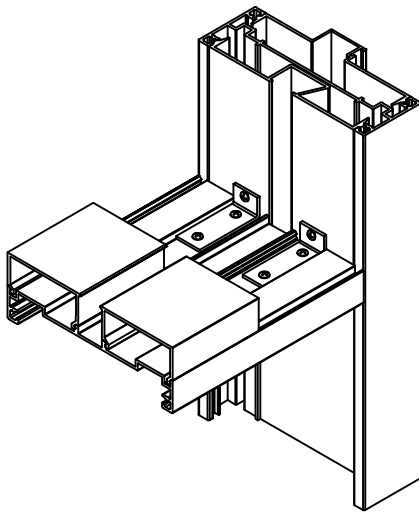
INSTALLATION CLIPS FOR PROJECTED PROFILE



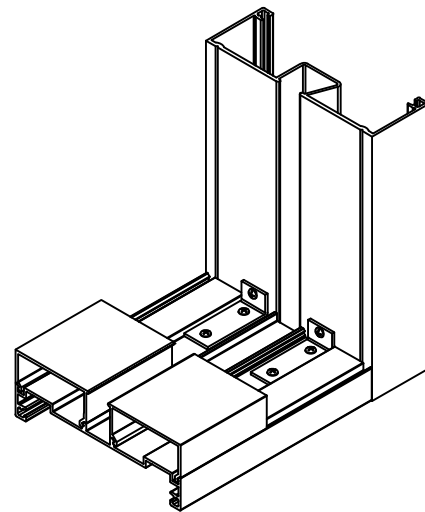
3 GLAZING HEADER TO GLASS JAMB
SC1 CLIPS - 2 REQUIRED



4a SILL TO DOOR JAMB
SC1 CLIPS - 2 REQUIRED
FC3 OR FC4 - 1 REQUIRED



4b HORIZONTAL TO DOOR JAMB
SC1 CLIPS - 2 REQUIRED



5 SILL TO GLASS JAMB
SC1 CLIPS - 2 REQUIRED

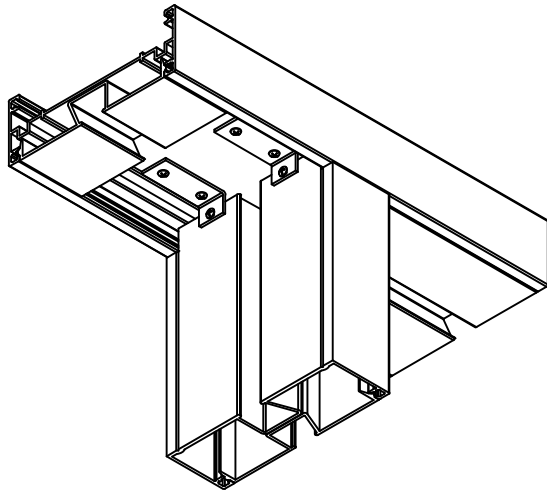
2301 E. Vernon Ave.
Vernon, CA 90058
866.443.7258
323.908.5430
323.908.5451 Fax

7601 Ambassador Row
Suite 102
Dallas, TX 75247
214.295.2165
214.496.0156 Fax

110 Viaduct Rd
Stamford, CT 06907
203.316.8033
203.316.0019 Fax

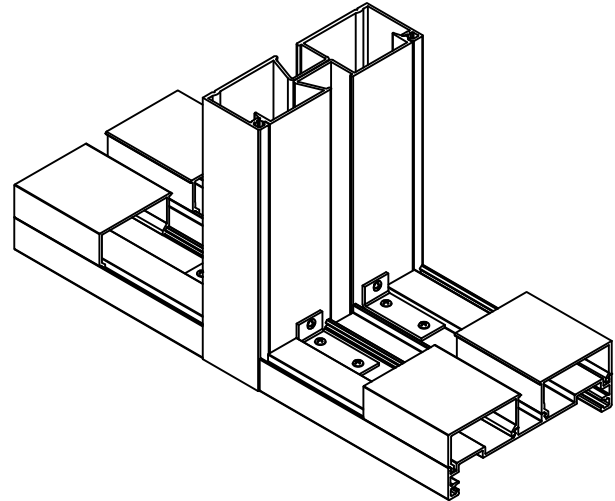
www.wilsonpart.com

INSTALLATION CLIPS FOR PROJECTED PROFILE



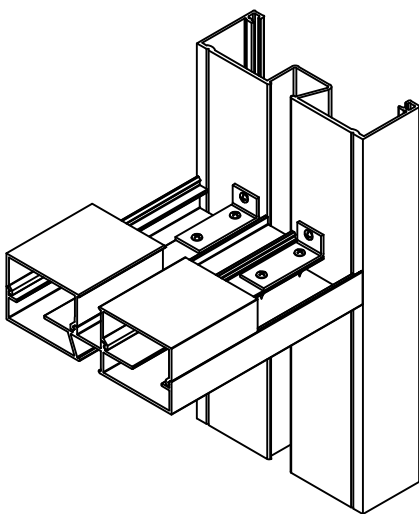
6

VERTICAL MULLION TO GLAZING HEADER
SC1 CLIPS - 2 REQUIRED



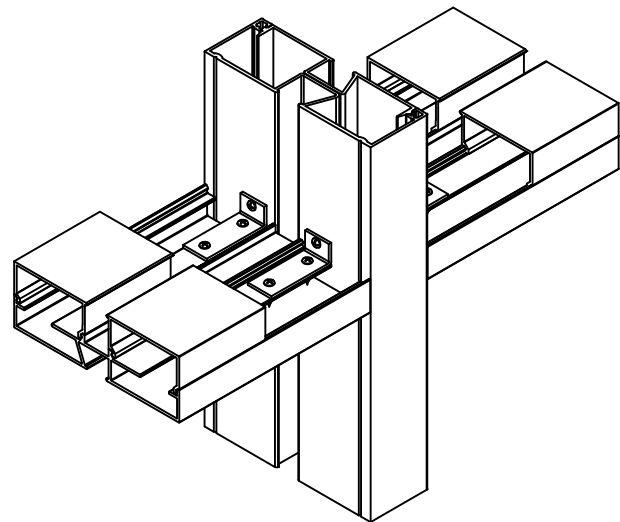
7

SILL TO VERTICAL MULLION
SC1 CLIPS - 2 REQUIRED EACH



8

HORIZONTAL TO GLASS JAMB
SC1 CLIPS - 2 REQUIRED



9

HORIZONTAL TO VERTICAL MULLION
SC1 CLIPS - 2 REQUIRED EACH



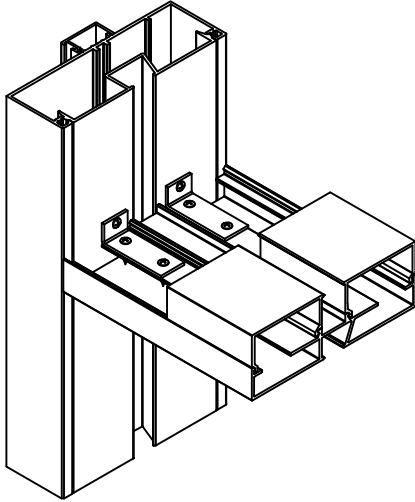
2301 E. Vernon Ave.
Vernon, CA 90058
866.443.7258
323.908.5430
323.908.5451 Fax

7601 Ambassador Row
Suite 102
Dallas, TX 75247
214.295.2165
214.496.0156 Fax

110 Viaduct Rd
Stamford, CT 06907
203.316.8033
203.316.0019 Fax

www.wilsonpart.com

INSTALLATION CLIPS FOR PROJECTED PROFILE



10

HORIZONTAL TO DOOR JAMB

SC1 CLIPS - 2 REQUIRED