



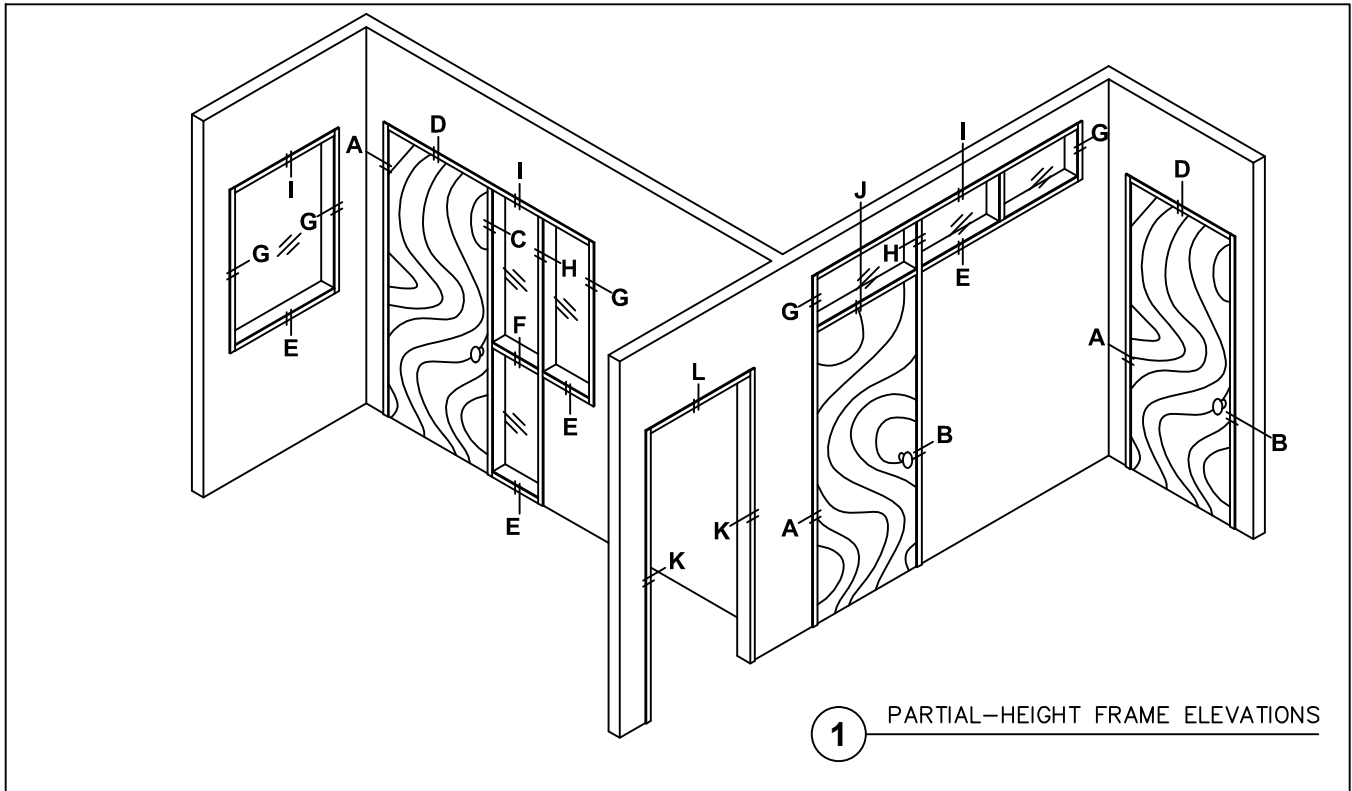
2301 E. Vernon Ave.  
Vernon, CA 90058  
866.443.7258  
323.908.5430  
323.908.5451 Fax

2221 Manana Drive  
Suite 150  
Dallas, TX 75220  
203.316.8033  
203.316.0019 Fax

60 Bonner Street  
Stamford, CT 06902  
203.316.8033  
203.316.0019 Fax

[www.wilsonpart.com](http://www.wilsonpart.com)

## TYPICAL FRAME ELEVATIONS





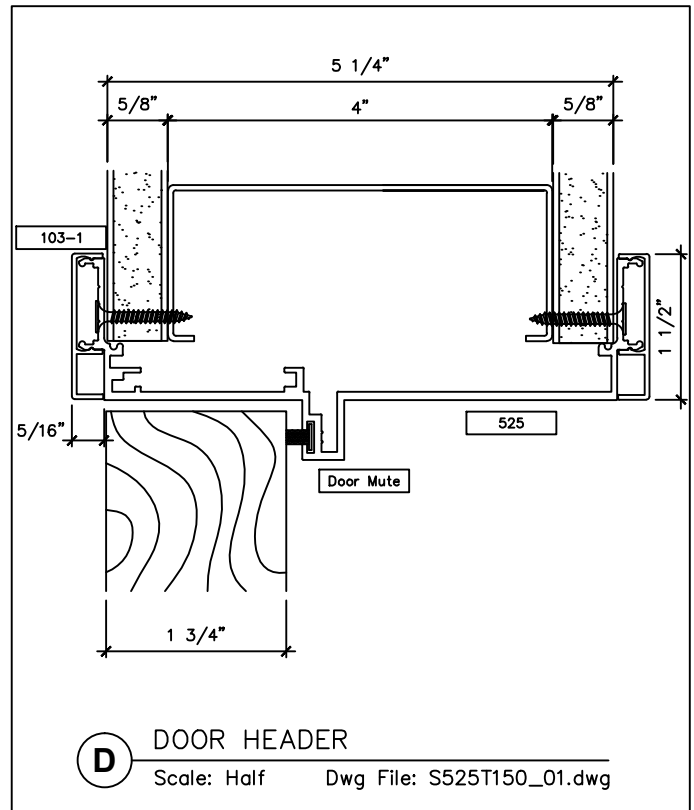
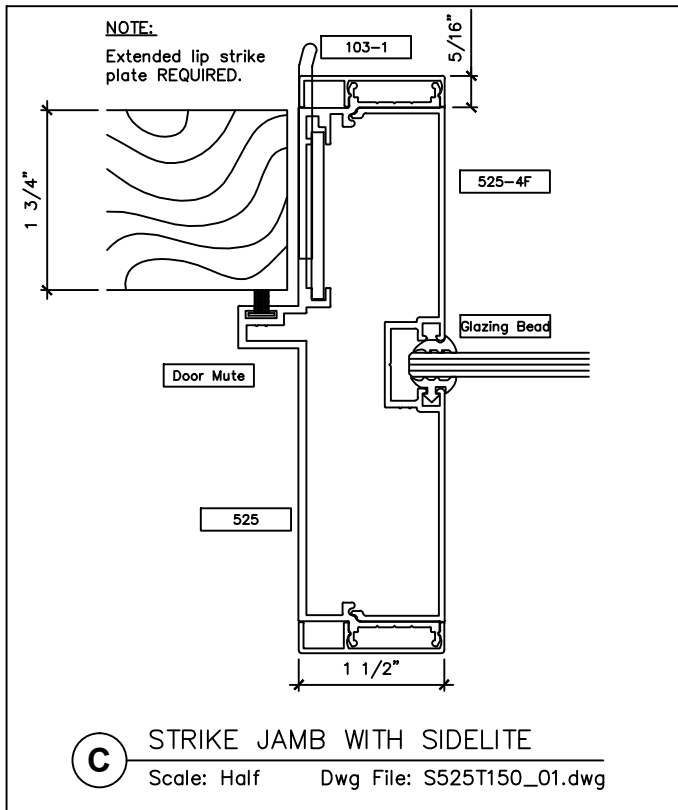
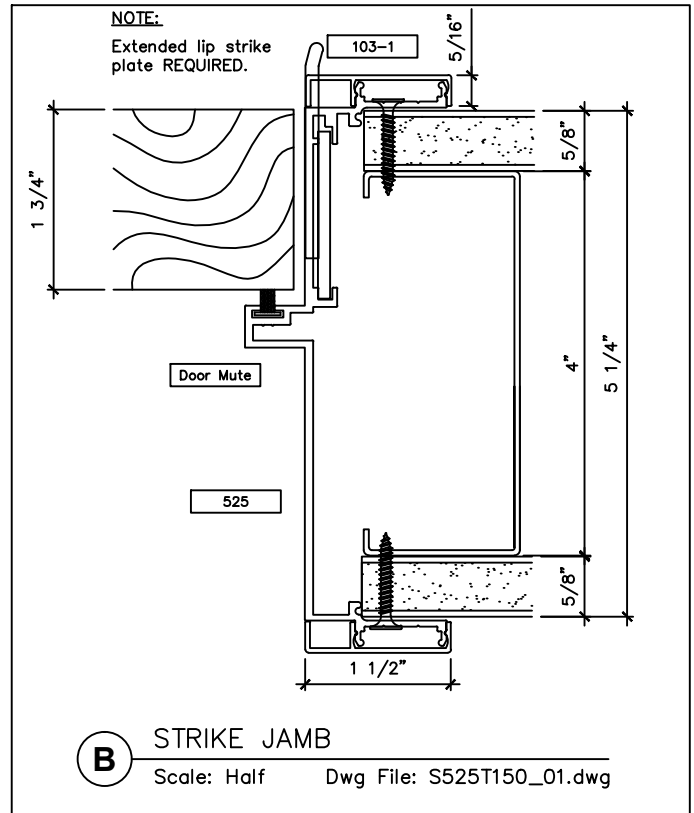
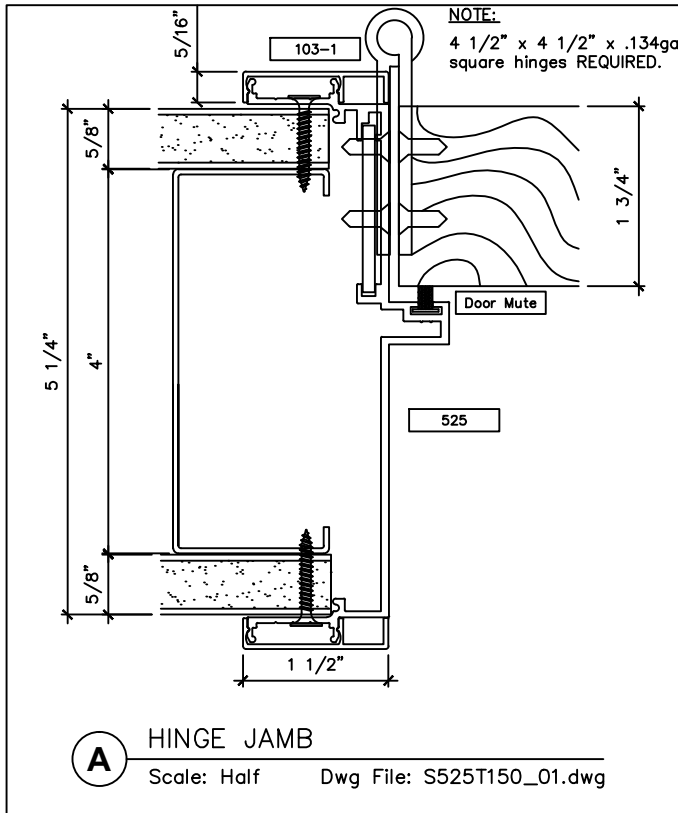
2301 E. Vernon Ave.  
Vernon, CA 90058  
866.443.7258  
323.908.5430  
323.908.5451 Fax

2221 Manana Drive  
Suite 150  
Dallas, TX 75220  
203.316.8033  
203.316.0019 Fax

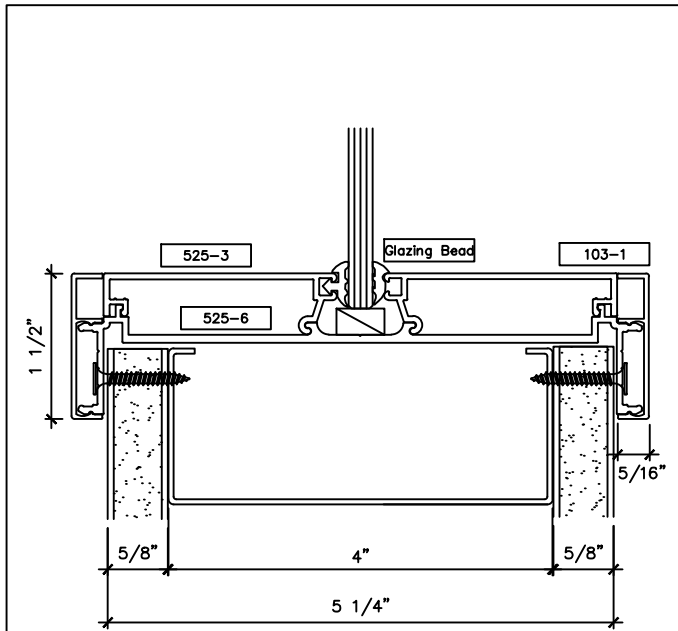
60 Bonner Street  
Stamford, CT 06902  
203.316.8033  
203.316.0019 Fax

www.wilsonpart.com

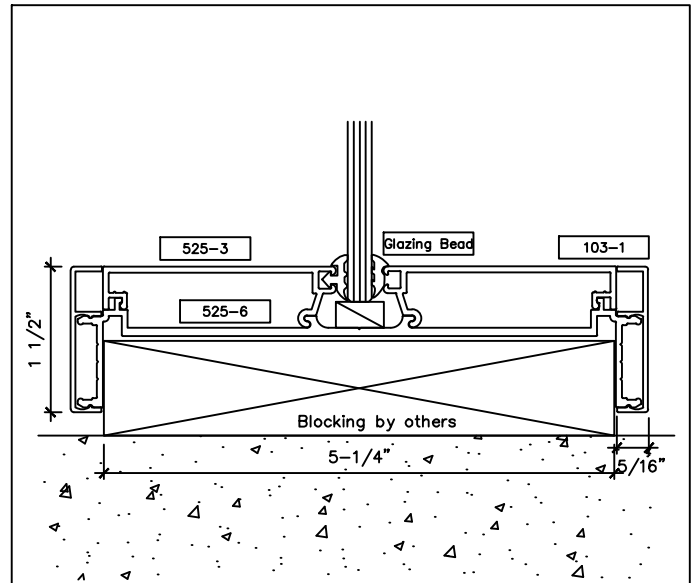
## SNAP ON TRIM- SERIES 525 WITH 1 1/2" TRIM FOR A 5 1/4" PARTITION



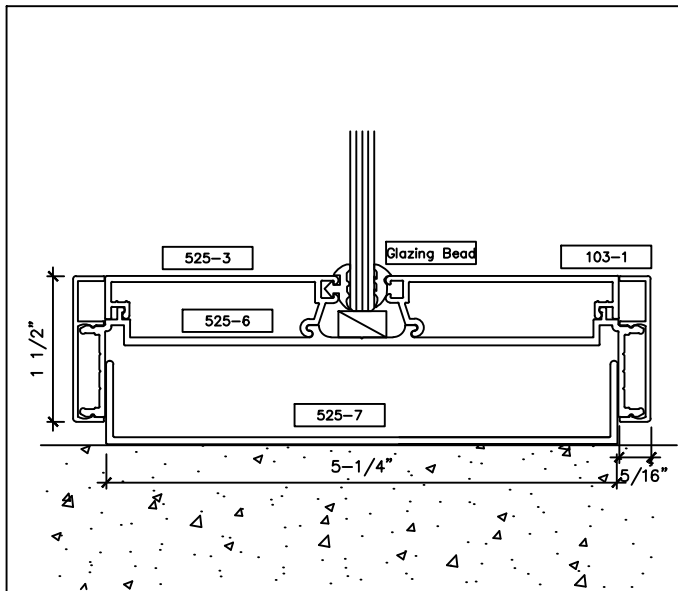
## SNAP ON TRIM- SERIES 525 WITH 1 1/2" TRIM FOR A 5 1/4" PARTITION



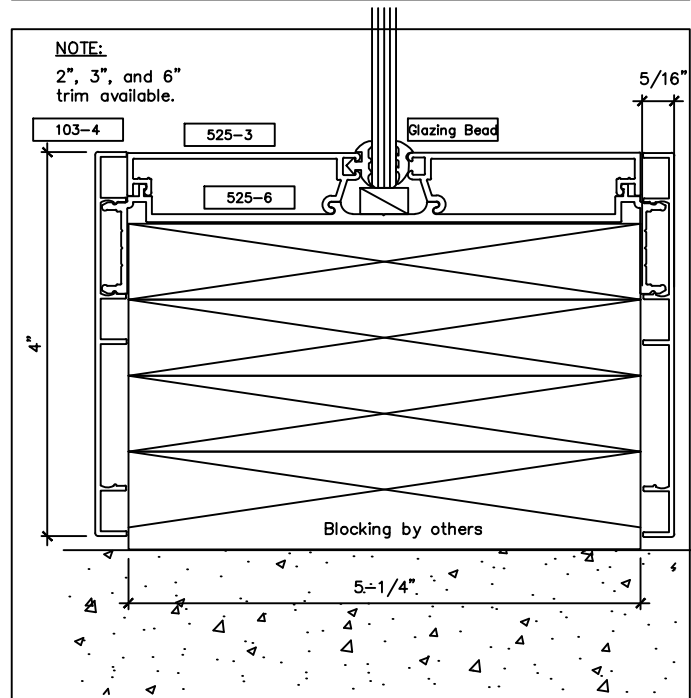
**E** SILL (PARTIAL HEIGHT)  
Scale: Half Dwg File: S525T150\_02.dwg



**E1** SILL (FULL HEIGHT)  
Scale: Half Dwg File: S525T150\_02.dwg



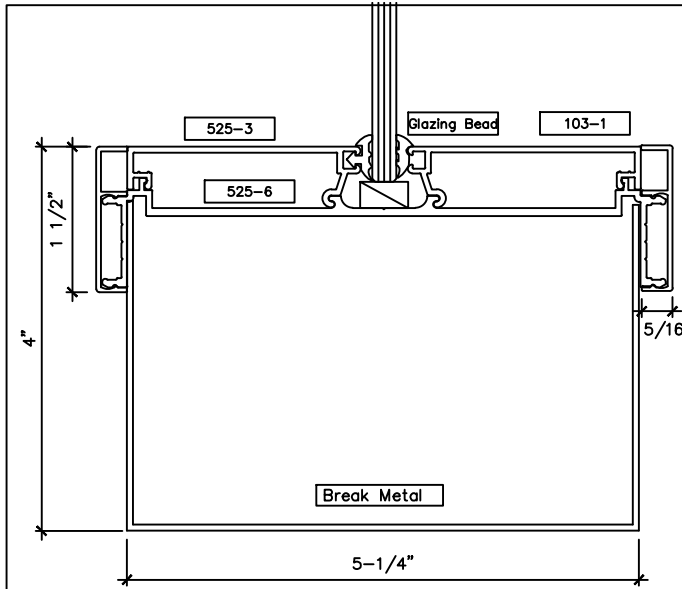
**E2** SILL (FULL HEIGHT)  
WITH SILL STARTER  
Scale: Half Dwg File: S525T150\_02.dwg



**E3** SILL (FULL HEIGHT)  
WITH 4" TRIM (OPTIONAL)  
Scale: Half Dwg File: S525T150\_02.dwg

**NOTE:**  
2", 3", and 6"  
trim available.

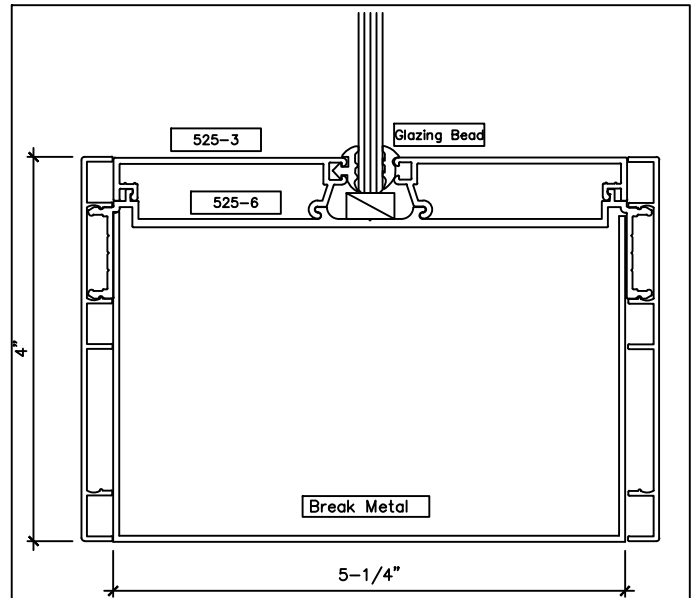
## SNAP ON TRIM- SERIES 525 WITH 1 1/2" TRIM FOR A 5 1/4" PARTITION



SILL (FULL HEIGHT)  
WITH 4" BASE

**E4**

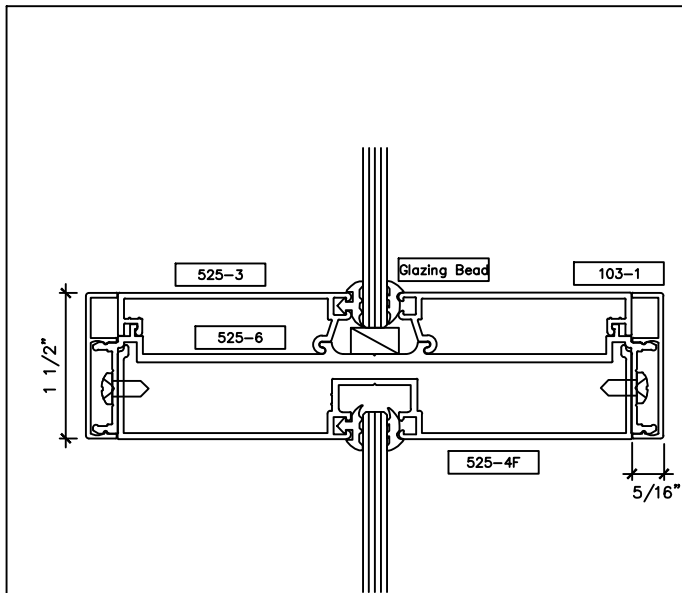
Scale: Half Dwg File: S525T150\_03.dwg



SILL (FULL HEIGHT)  
WITH 4" BASE

**E5**

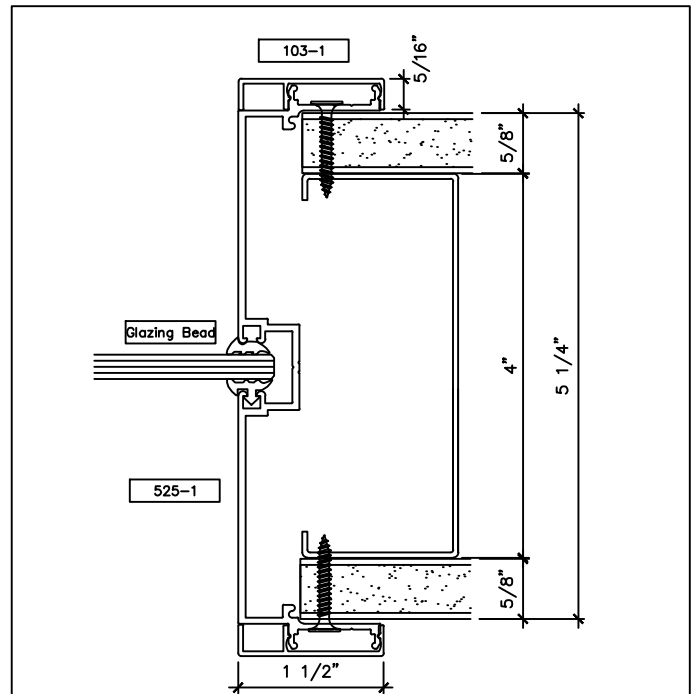
Scale: Half Dwg File: S525T150\_03.dwg



HORIZONTAL MUNTIN

**F**

Scale: Half Dwg File: S525T150\_03.dwg



JAMB MULLION

**G**

Scale: Half Dwg File: S525T150\_03.dwg



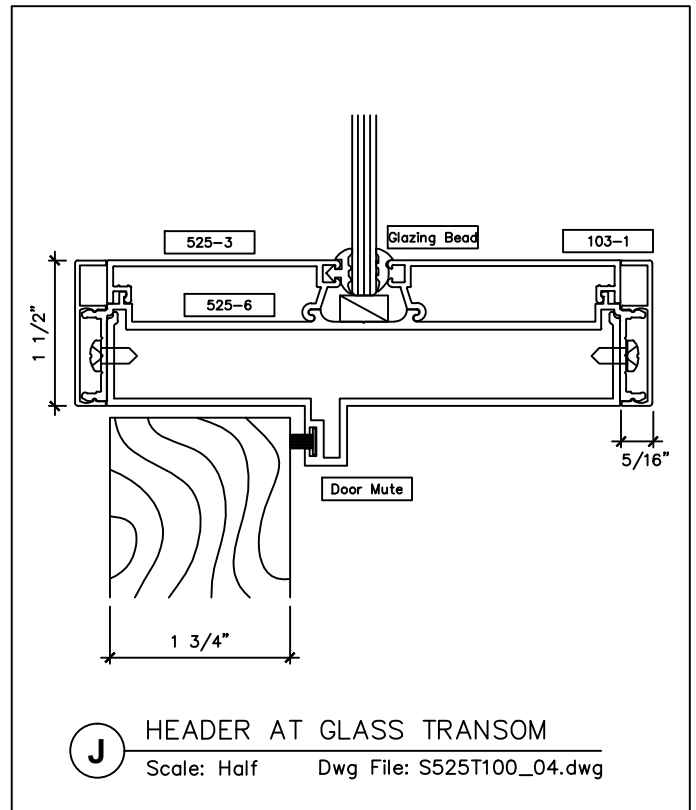
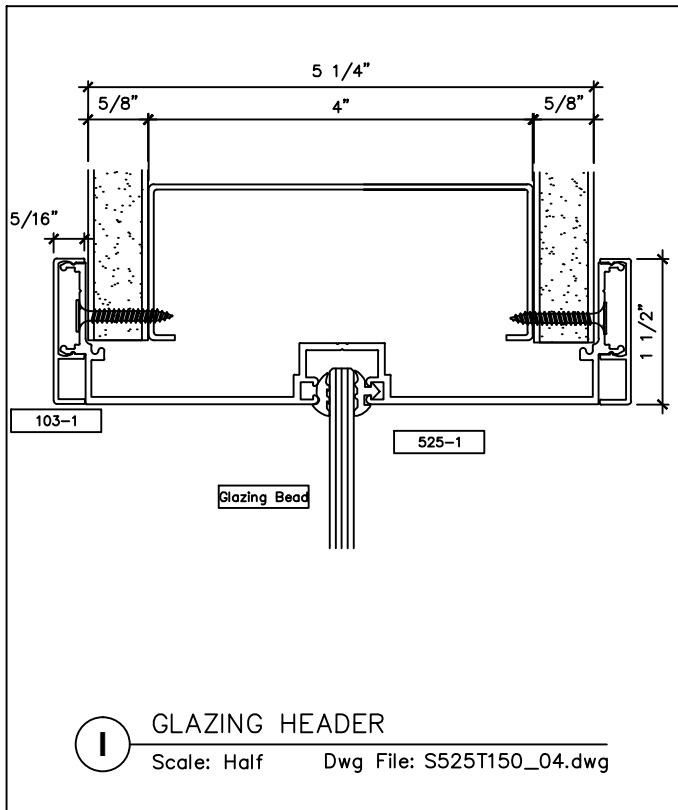
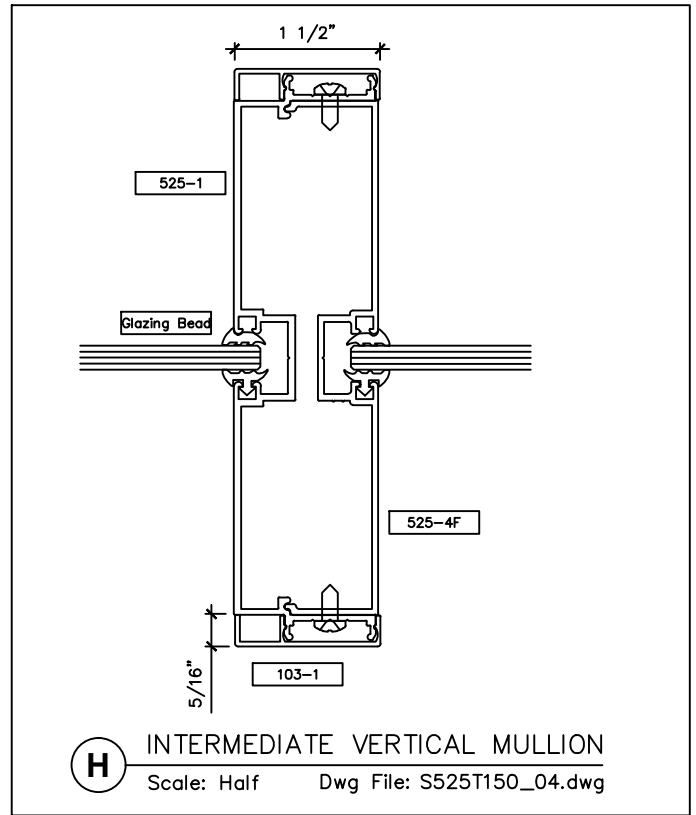
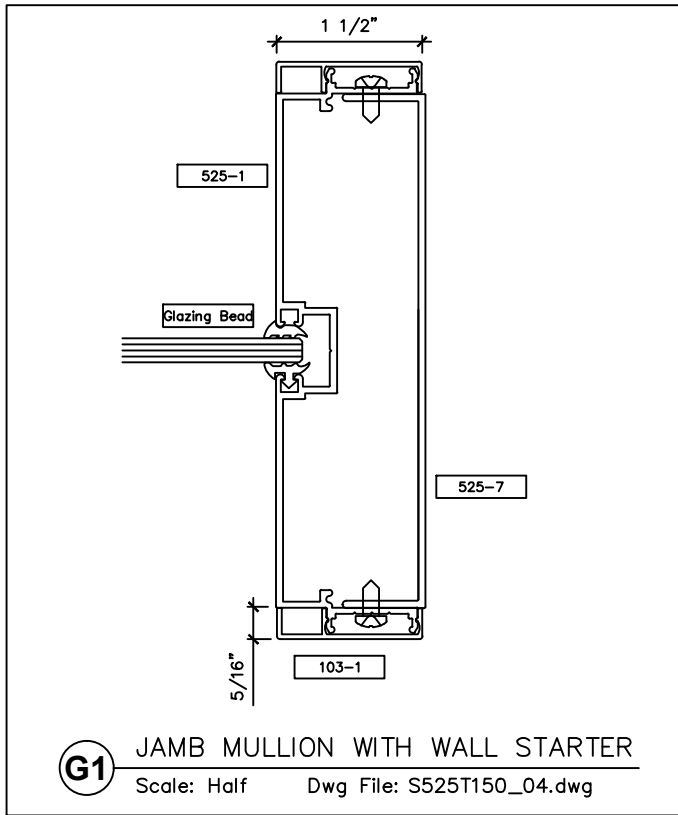
2301 E. Vernon Ave.  
Vernon, CA 90058  
866.443.7258  
323.908.5430  
323.908.5451 Fax

2221 Manana Drive  
Suite 150  
Dallas, TX 75220  
203.316.8033  
203.316.0019 Fax

60 Bonner Street  
Stamford, CT 06902  
203.316.8033  
203.316.0019 Fax

[www.wilsonpart.com](http://www.wilsonpart.com)

## SNAP ON TRIM- SERIES 525 WITH 1 1/2" TRIM FOR A 5 1/4" PARTITION





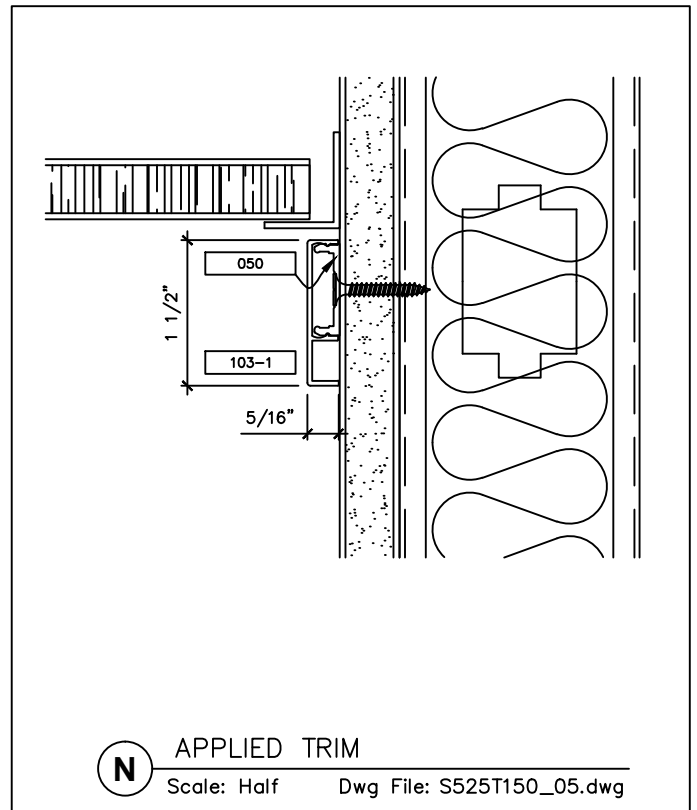
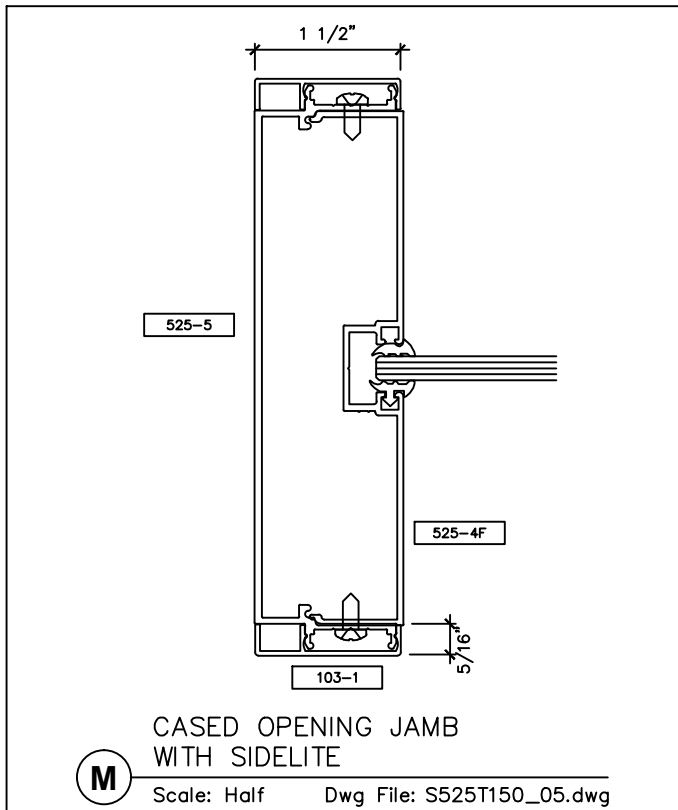
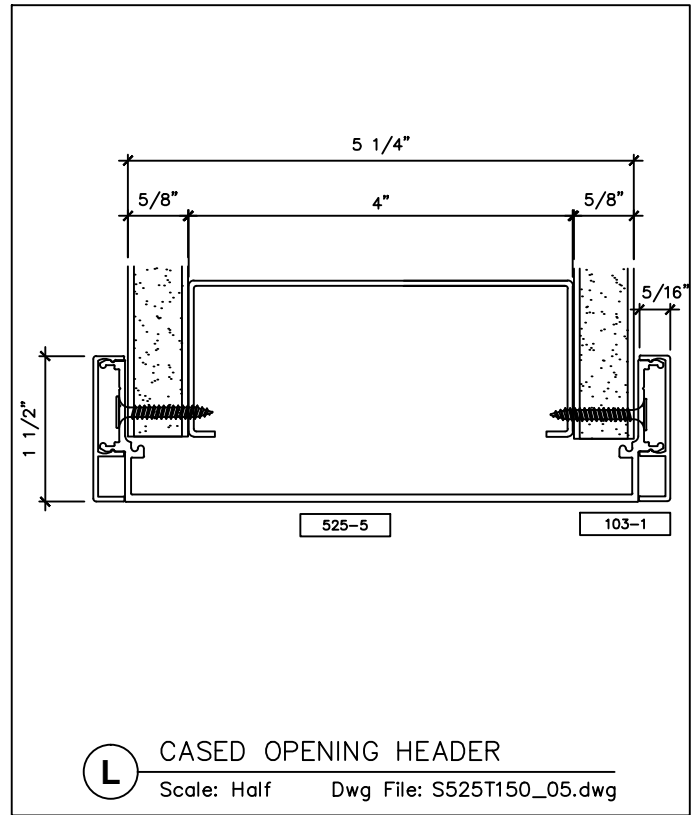
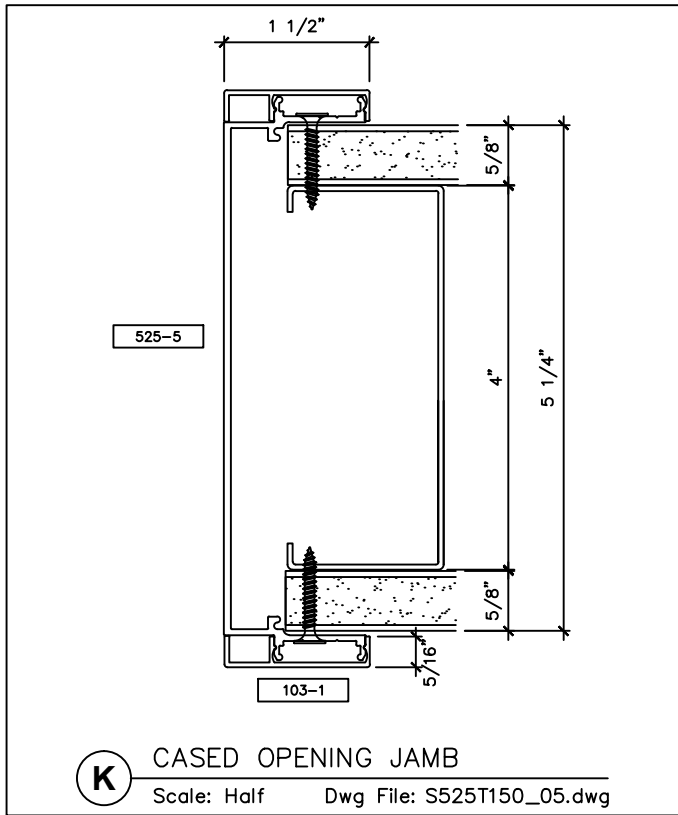
2301 E. Vernon Ave.  
Vernon, CA 90058  
866.443.7258  
323.908.5430  
323.908.5451 Fax

2221 Manana Drive  
Suite 150  
Dallas, TX 75220  
203.316.8033  
203.316.0019 Fax

60 Bonner Street  
Stamford, CT 06902  
203.316.8033  
203.316.0019 Fax

www.wilsonpart.com

## SNAP ON TRIM- SERIES 525 WITH 1 1/2" TRIM FOR A 5 1/4" PARTITION





2301 E. Vernon Ave.  
Vernon, CA 90058  
866.443.7258  
323.908.5430  
323.908.5451 Fax

2221 Manana Drive  
Suite 150  
Dallas, TX 75220  
203.316.8033  
203.316.0019 Fax

60 Bonner Street  
Stamford, CT 06902  
203.316.8033  
203.316.0019 Fax

www.wilsonpart.com

## SNAP ON TRIM- SERIES 525 WITH 1 1/2" TRIM FOR A 5 1/4" PARTITION

