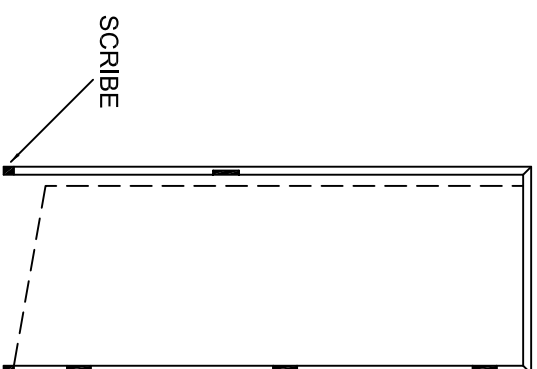
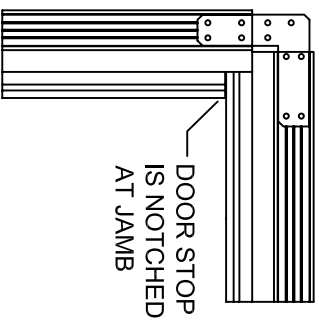


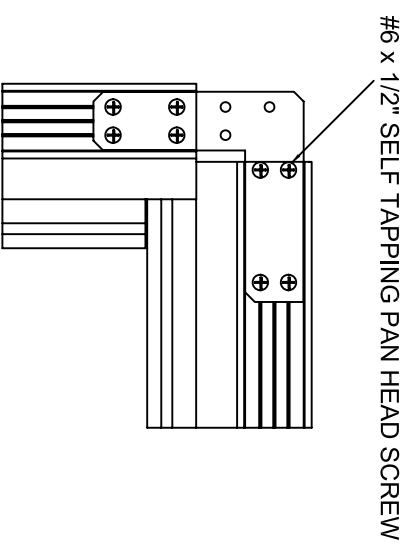
1 Check the dimensions and square of the rough opening making sure the wall is the proper height and width for the scheduled door, and is within tolerance. Check the accuracy of the swing, finish, hinge and strike layout as well as any exotic hardware prep's on the frame.



2 If the jambs were ordered with scribe, cut the jambs to the required height. They should be 3/4" minimum, 1" maximum, shorter than the rough opening height.



3 Slip the header over the wall and center it in the rough opening. Hold the jambs at an angle and slip the upper portion over the wall. Push upward to engage the notch at the door stop on the jamb to the header. Then, push the rest of the jamb over the wall making sure the bottom of the jamb is in contact with the floor. If necessary, pull the header down to make contact with the jambs. Use the four "CC1" corner clips supplied as a guide to help with the alignment of the header and the jambs. The header will overlap the jambs by approximately 5/8" on each side.



4 Affix the four "CC1" corner clips using #6 x 1/2" self tapping pan head screws, making sure that the header and jamb attain a 90 degree corner.



**Wilson** Partitions®

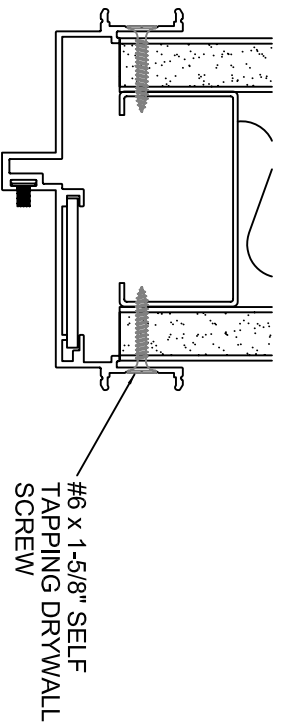
2301 E. Vernon Ave.  
Vernon, CA 90058  
866.443.7258  
323.908.5451 Fax

www.wilsonpart.com

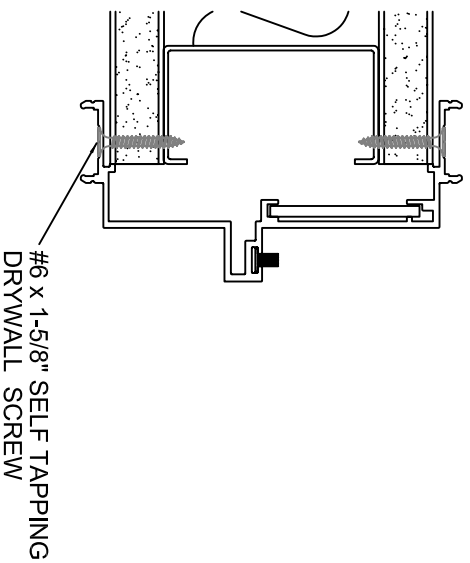
60 Bonner St.  
Stamford, CT 06902  
203.316.8033  
203.316.0019 Fax

## INSTALLATION INSTRUCTIONS FOR A STANDARD DOOR FRAME (SNAP-ON TRIM)

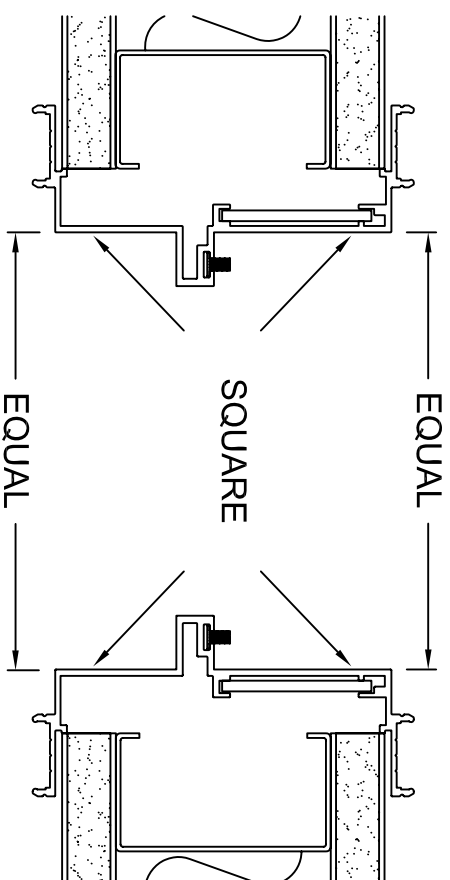
(SHEET 1)



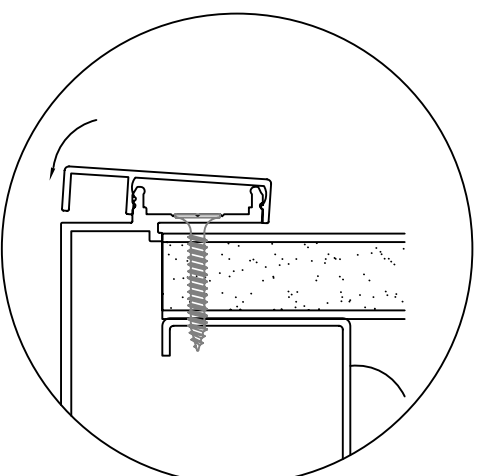
- 5 Level the header and secure it to the wall. It is recommended that you use #6 x 1-5/8" self tapping drywall screws every 12" O.C. Multiple layers of drywall will require longer screws to reach the studs.



- 7 Secure the jambs to the wall using #6 x 1-5/8" self tapping drywall screws. A screw is to be placed above and below each hinge cut-out as well as every 12" O.C. where there are no hinge cut-outs. Attachment should roughly align on all frame faces.



- 6 Align the frame to the scheduled opening width making sure the jambs are equal and plumb. The scheduled opening width is to be maintained on both sides of the door stop at the leading edge of the frame.



- 8 To install the trim, measure the opening and cut off any excess if necessary. Starting with the header, the trim should be snapped down with either the base of your hand or a rubber mallet. Install by hooking the outside legs and lightly tapping towards the inside edge. When the trim snaps on it should fit snugly. If there is any rattle, give the full length of the trim a slight twist before snapping it on.



**Wilson** Partitions®

2301 E. Vernon Ave.  
Vernon, CA 90058  
866.443.7258  
323.908.5451 Fax

www.wilsonpart.com

60 Bonner St.  
Stamford, CT 06902  
203.316.8033  
203.316.0019 Fax

**INSTALLATION INSTRUCTIONS FOR A  
STANDARD DOOR FRAME (SNAP-ON TRIM)**

**(SHEET 2)**