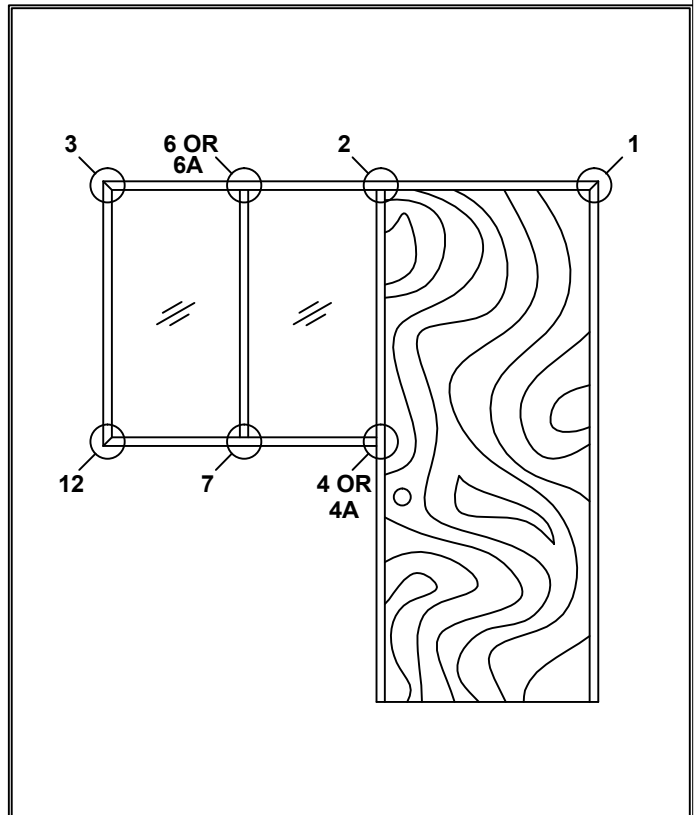
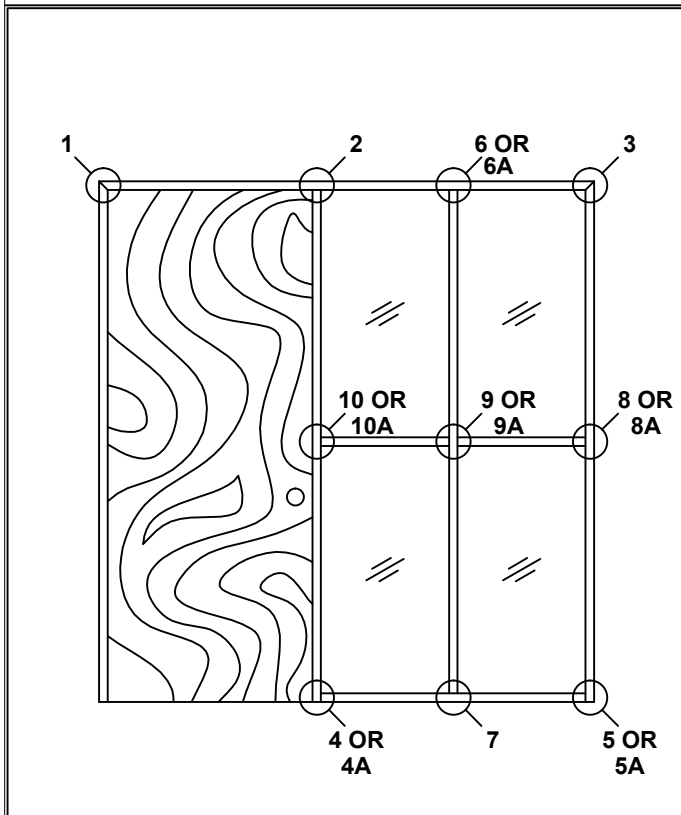
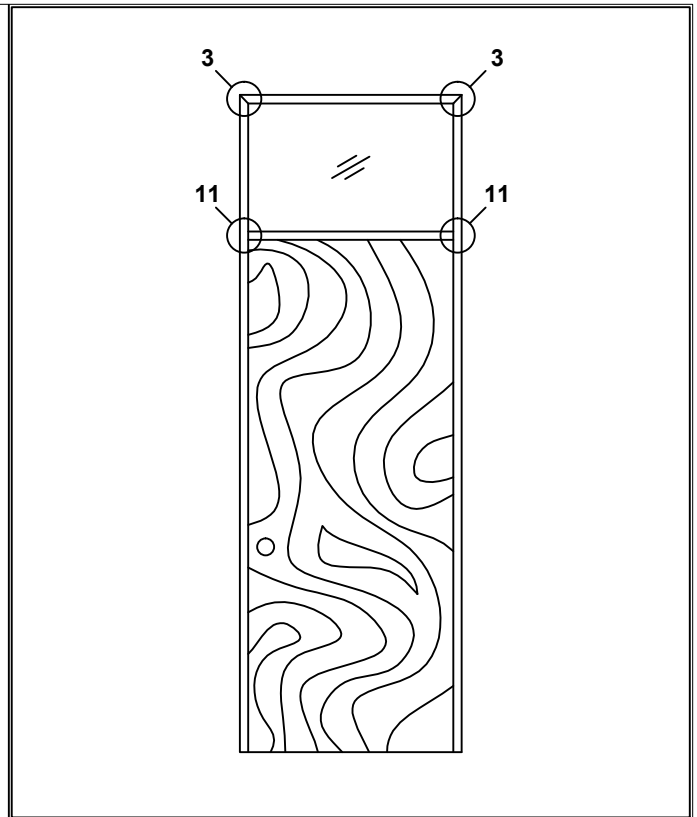
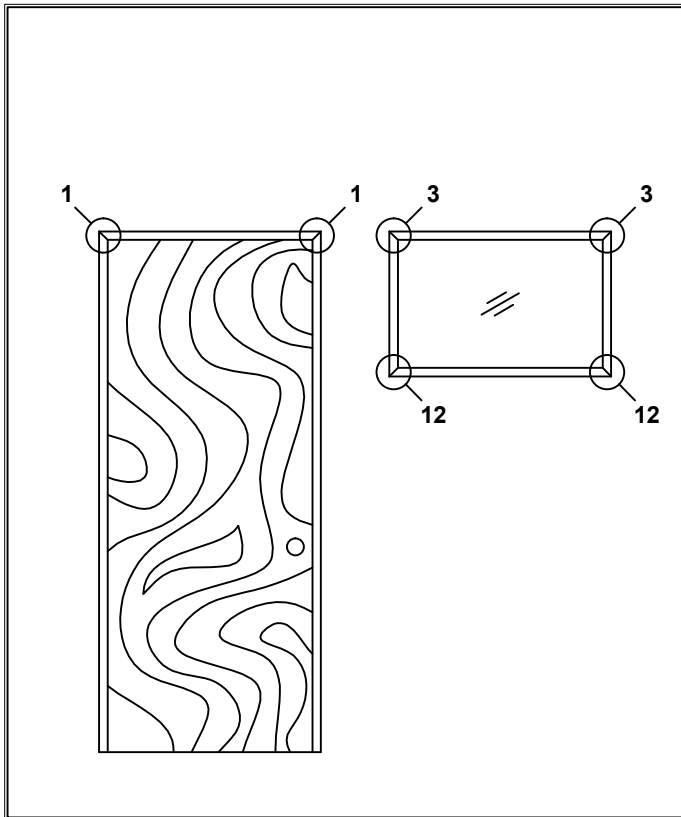


## INSTALLATION CLIPS FOR SNAP-ON TRIM PROFILE



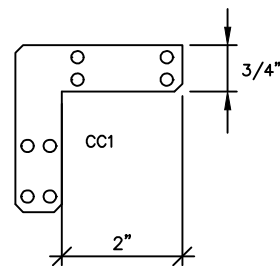
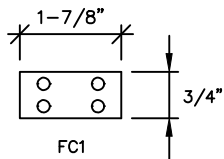
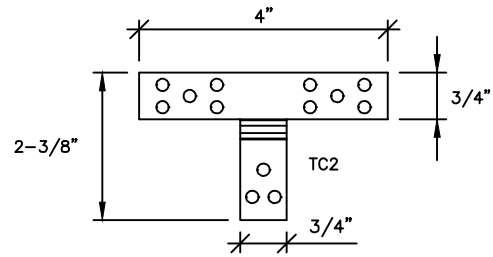
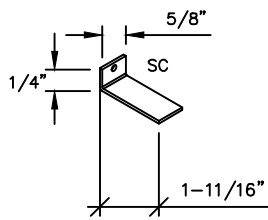


2301 E. Vernon Ave.  
Vernon, CA 90058  
866.443.7258  
323.908.5430  
323.908.5451 Fax

60 Bonner Street  
Stamford, CT 06902  
203.316.8033  
203.316.0019 Fax

www.wilsonpart.com

## CLIPS FOR SNAP-ON PROFILE SYSTEM



CLIPS

Scale: N.T.S. Dwg File: SOCLIPS.dwg.

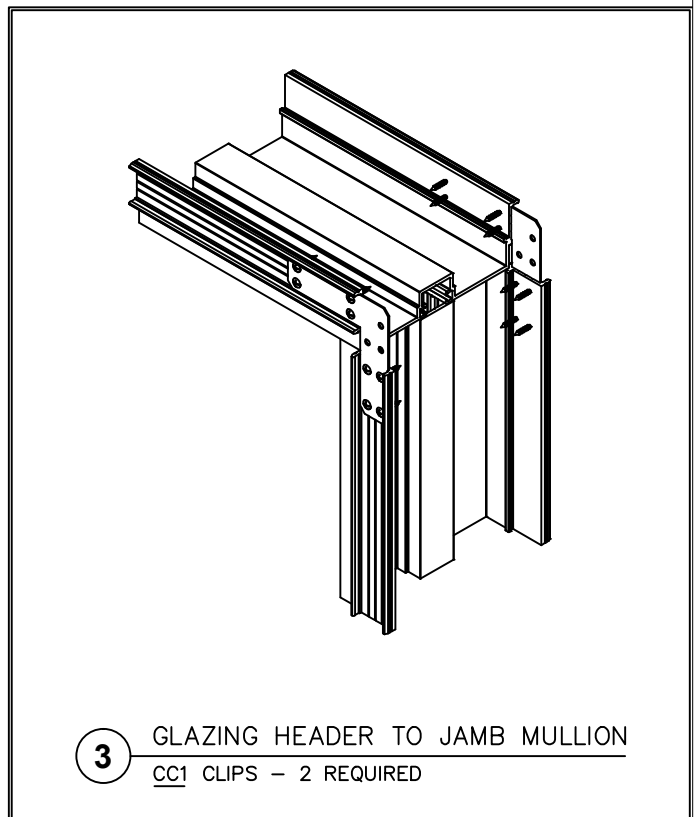
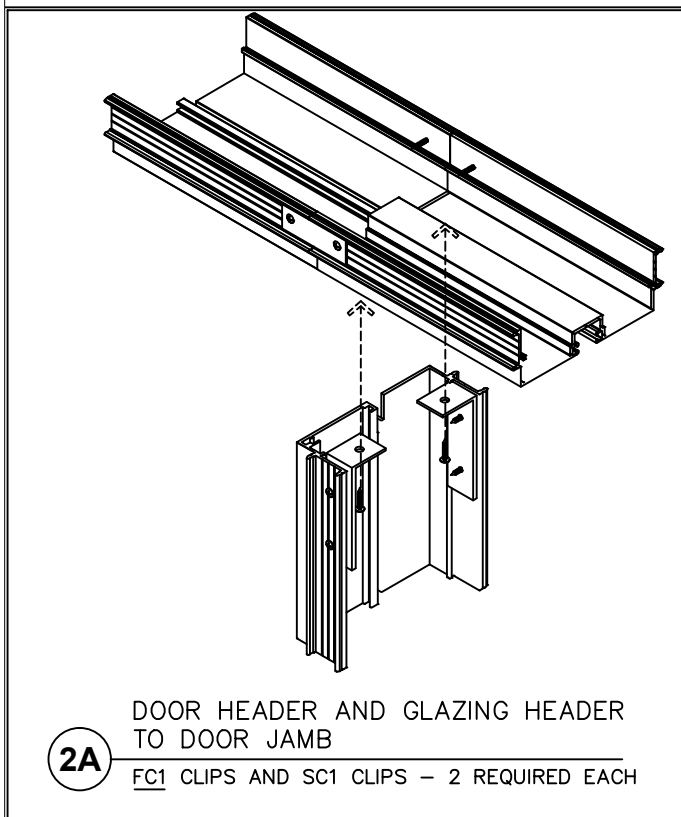
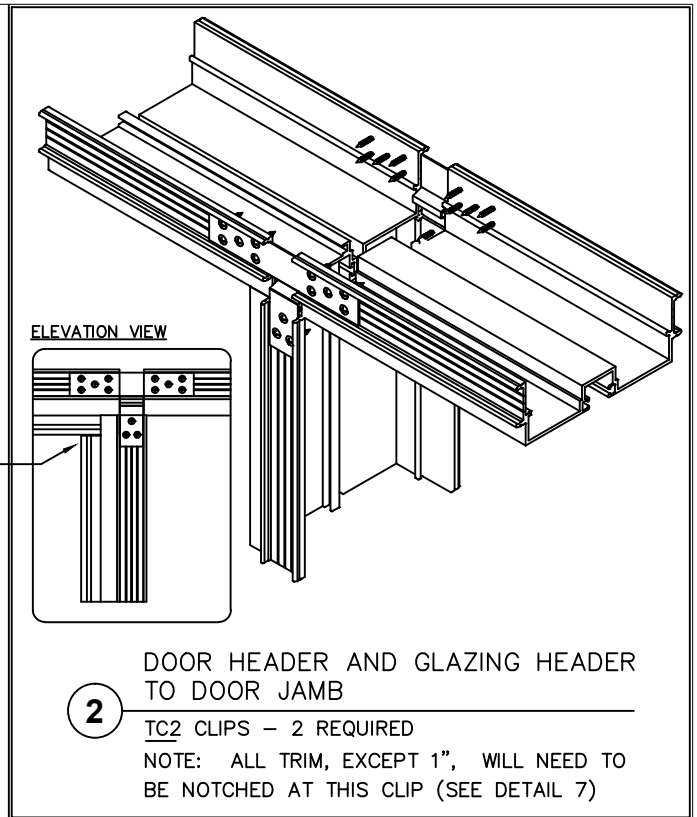
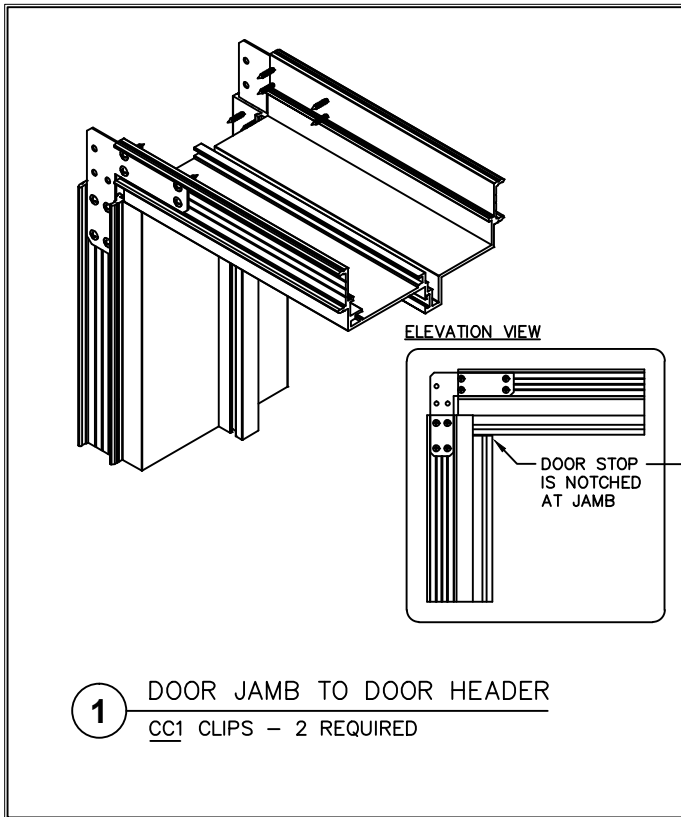


2301 E. Vernon Ave.  
Vernon, CA 90058  
866.443.7258  
323.908.5430  
323.908.5451 Fax

60 Bonner Street  
Stamford, CT 06902  
203.316.8033  
203.316.0019 Fax

www.wilsonpart.com

## INSTALLATION CLIPS FOR SNAP-ON TRIMS



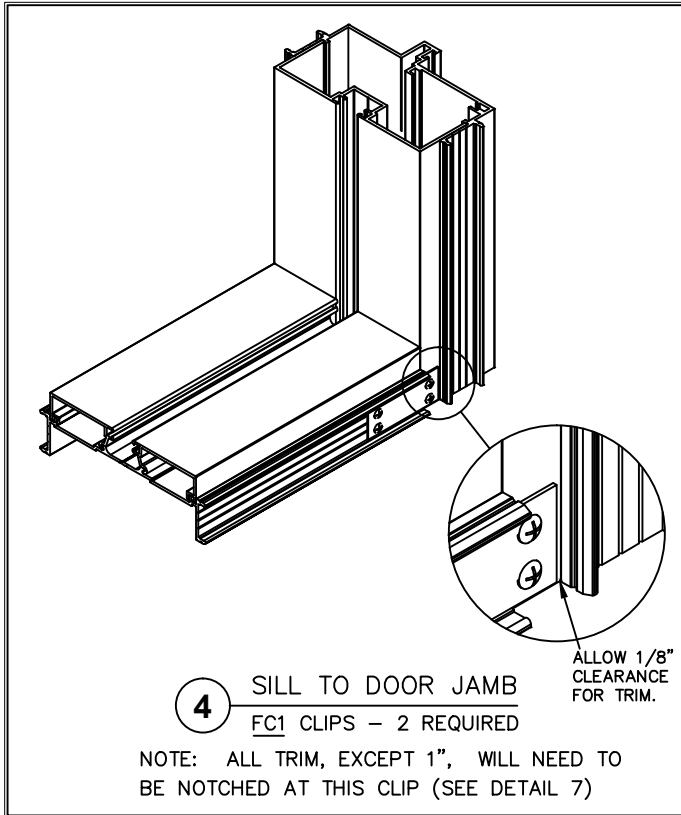


2301 E. Vernon Ave.  
Vernon, CA 90058  
866.443.7258  
323.908.5430  
323.908.5451 Fax

60 Bonner Street  
Stamford, CT 06902  
203.316.8033  
203.316.0019 Fax

www.wilsonpart.com

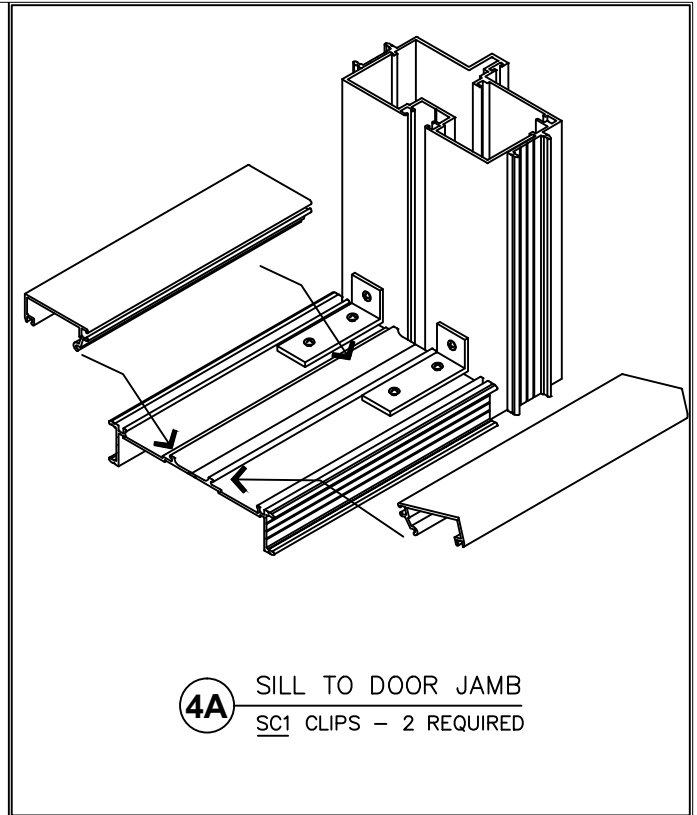
## INSTALLATION CLIPS FOR SNAP-ON TRIMS



**4** SILL TO DOOR JAMB  
FC1 CLIPS - 2 REQUIRED

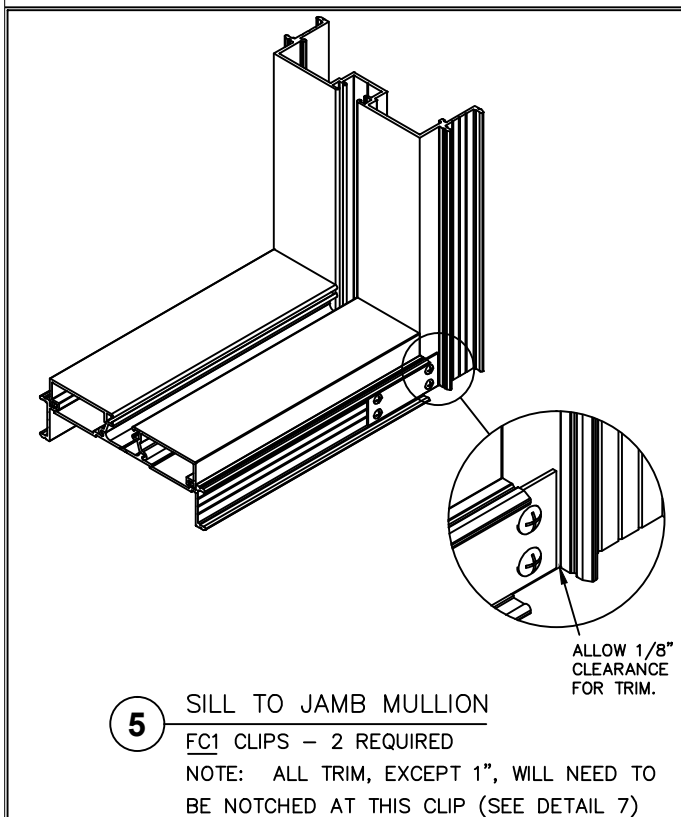
NOTE: ALL TRIM, EXCEPT 1", WILL NEED TO BE NOTCHED AT THIS CLIP (SEE DETAIL 7)

ALLOW 1/8" CLEARANCE FOR TRIM.



**4A** SILL TO DOOR JAMB  
SC1 CLIPS - 2 REQUIRED

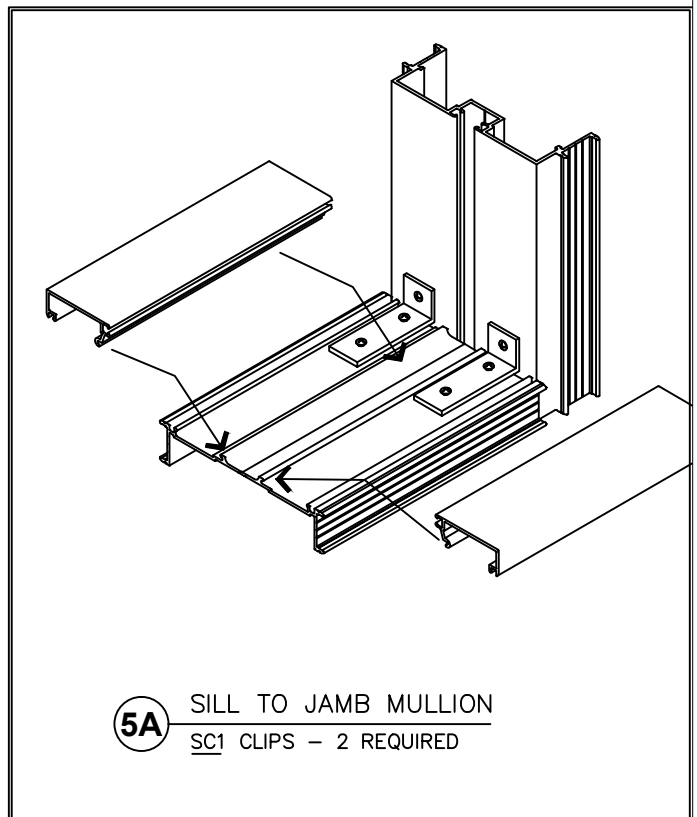
ALLOW 1/8" CLEARANCE FOR TRIM.



**5** SILL TO JAMB MULLION  
FC1 CLIPS - 2 REQUIRED

NOTE: ALL TRIM, EXCEPT 1", WILL NEED TO BE NOTCHED AT THIS CLIP (SEE DETAIL 7)

ALLOW 1/8" CLEARANCE FOR TRIM.



**5A** SILL TO JAMB MULLION  
SC1 CLIPS - 2 REQUIRED

ALLOW 1/8" CLEARANCE FOR TRIM.

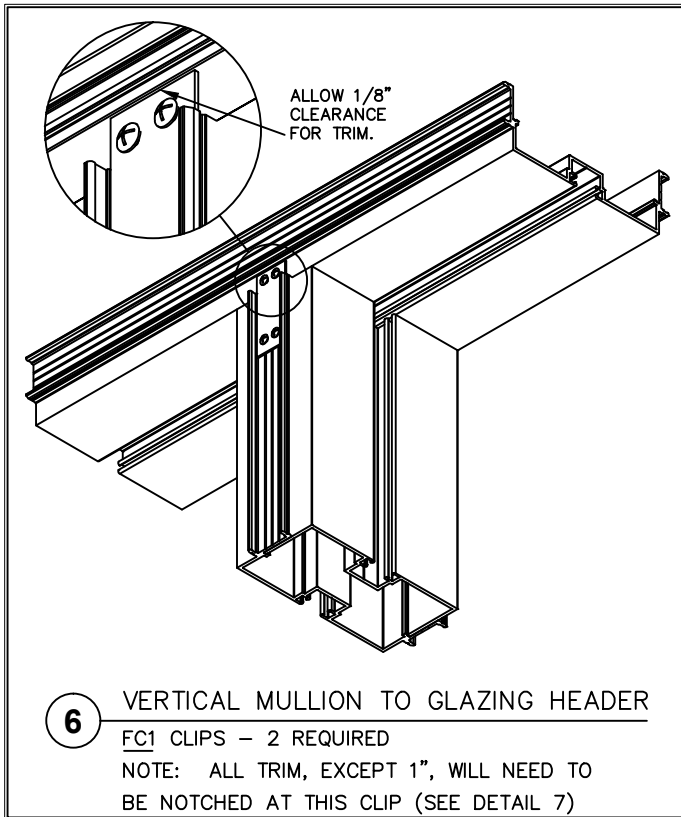


2301 E. Vernon Ave.  
Vernon, CA 90058  
866.443.7258  
323.908.5430  
323.908.5451 Fax

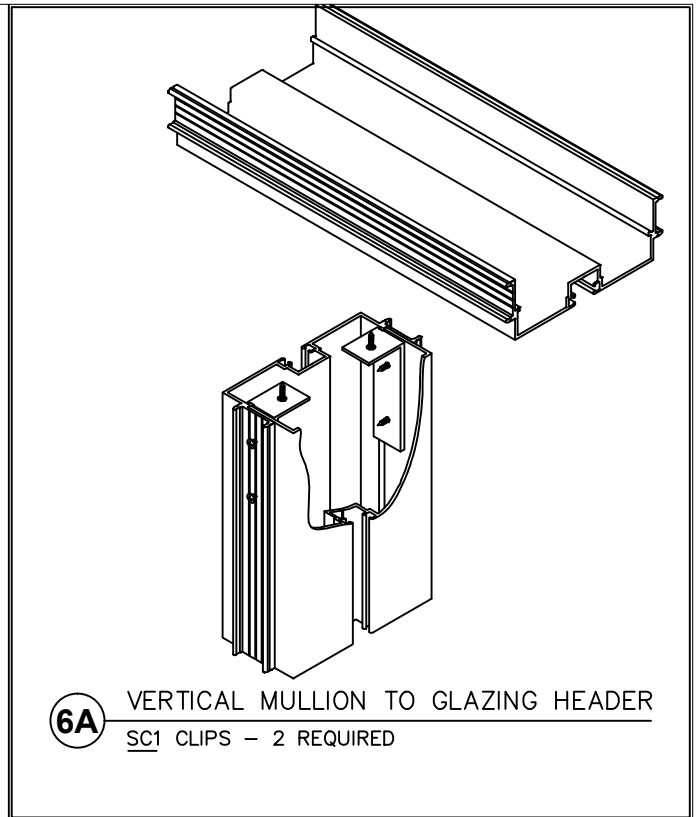
60 Bonner Street  
Stamford, CT 06902  
203.316.8033  
203.316.0019 Fax

www.wilsonpart.com

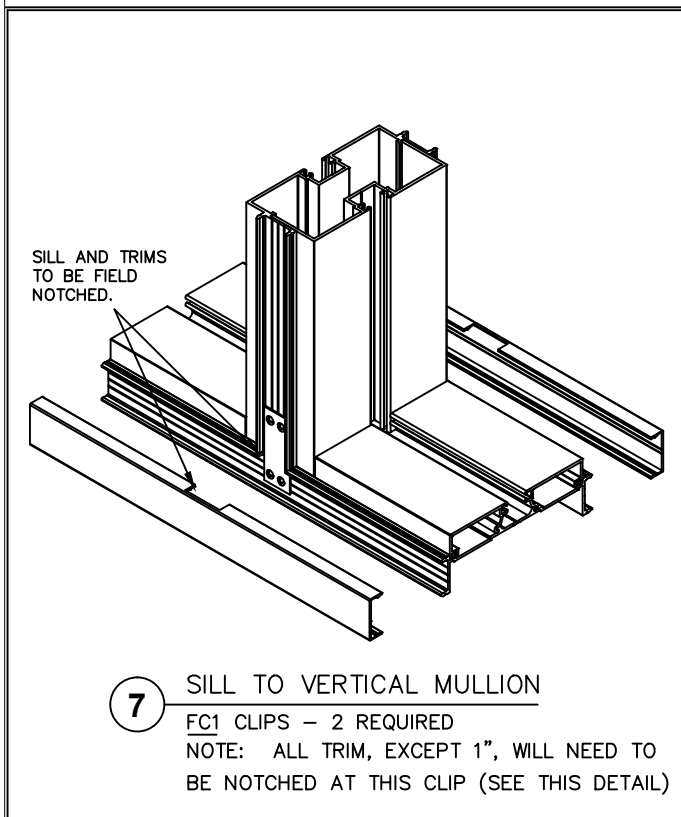
## INSTALLATION CLIPS FOR SNAP-ON TRIMS



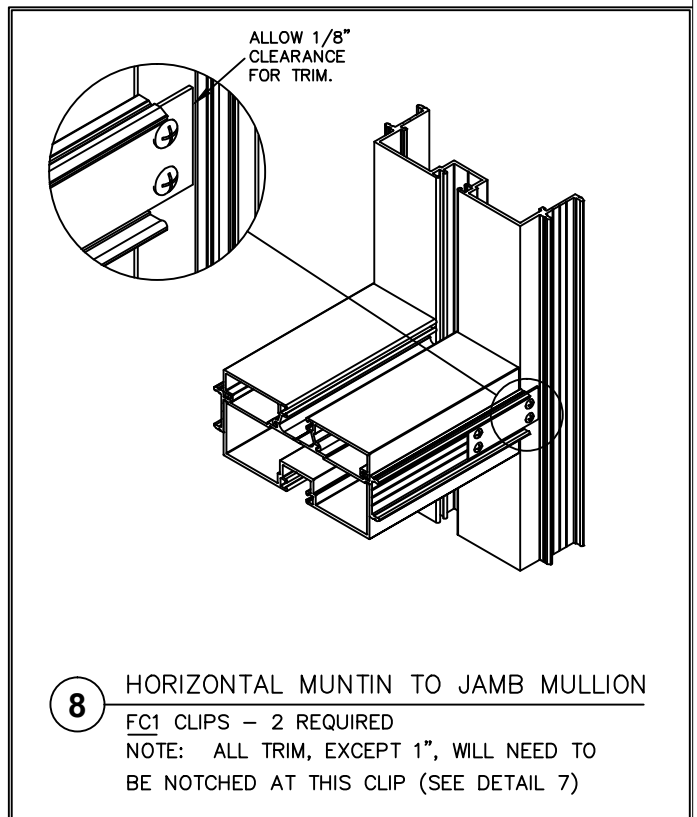
**6** VERTICAL MULLION TO GLAZING HEADER  
FC1 CLIPS - 2 REQUIRED  
NOTE: ALL TRIM, EXCEPT 1", WILL NEED TO BE NOTCHED AT THIS CLIP (SEE DETAIL 7)



**6A** VERTICAL MULLION TO GLAZING HEADER  
SC1 CLIPS - 2 REQUIRED



**7** SILL TO VERTICAL MULLION  
FC1 CLIPS - 2 REQUIRED  
NOTE: ALL TRIM, EXCEPT 1", WILL NEED TO BE NOTCHED AT THIS CLIP (SEE THIS DETAIL)



**8** HORIZONTAL MUNTIN TO JAMB MULLION  
FC1 CLIPS - 2 REQUIRED  
NOTE: ALL TRIM, EXCEPT 1", WILL NEED TO BE NOTCHED AT THIS CLIP (SEE DETAIL 7)

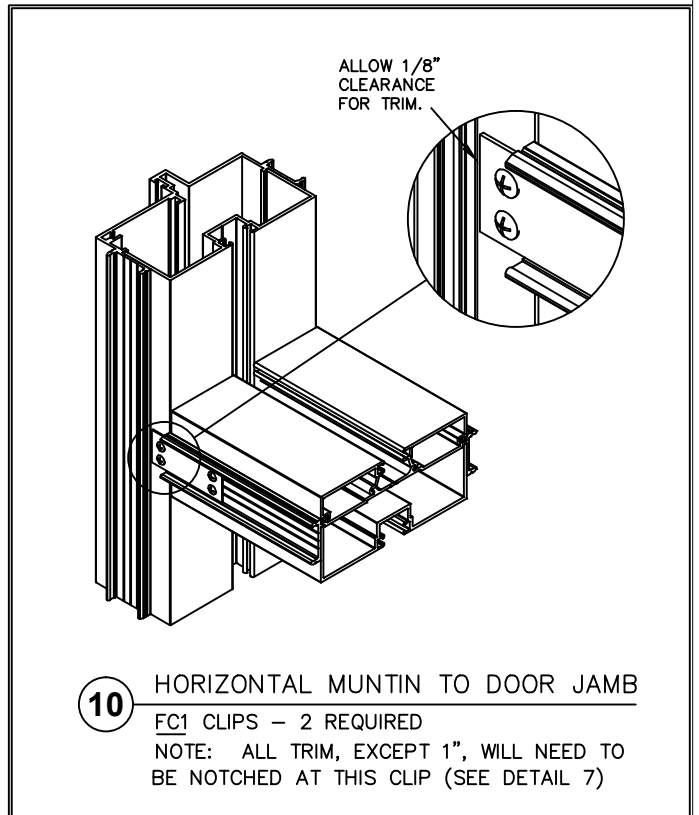
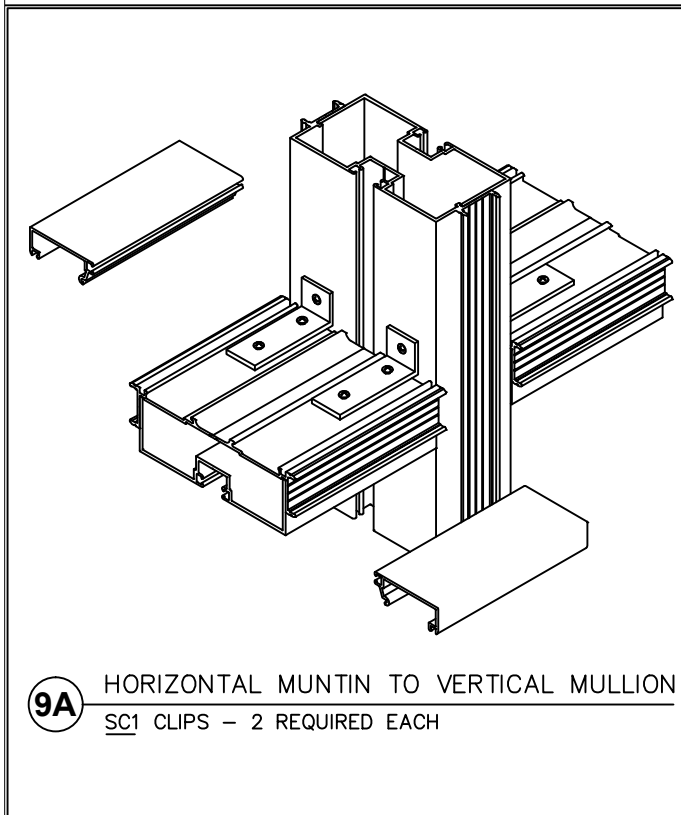
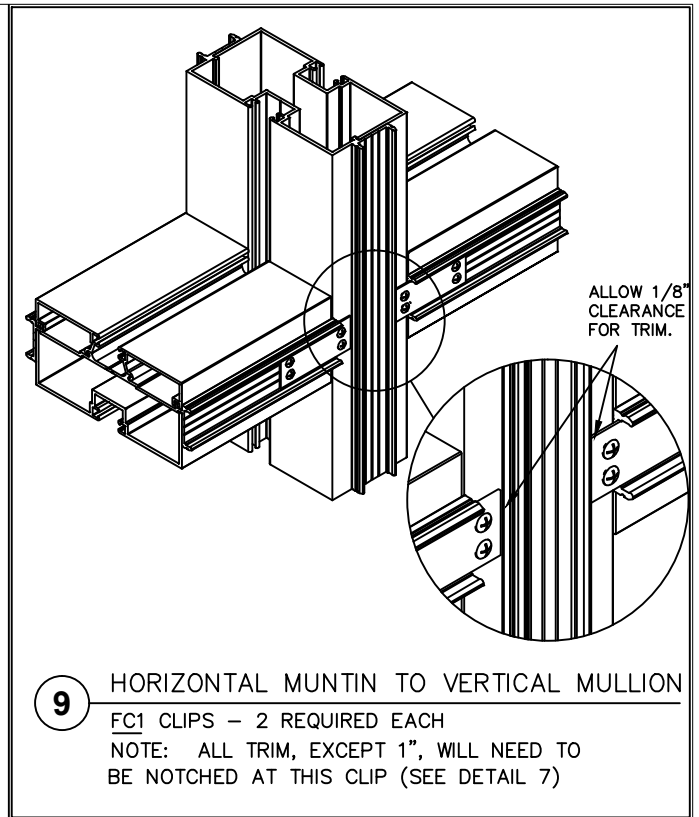
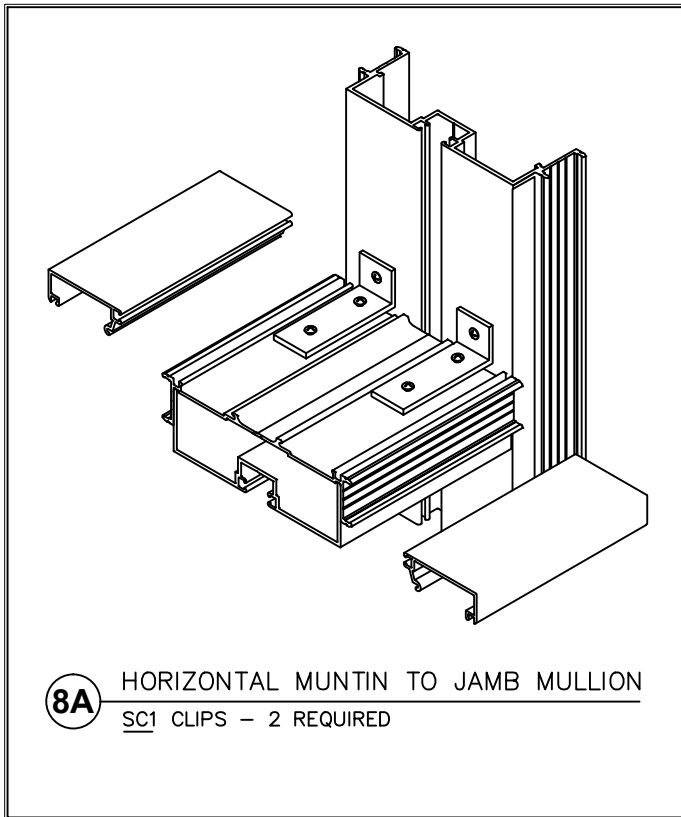


2301 E. Vernon Ave.  
Vernon, CA 90058  
866.443.7258  
323.908.5430  
323.908.5451 Fax

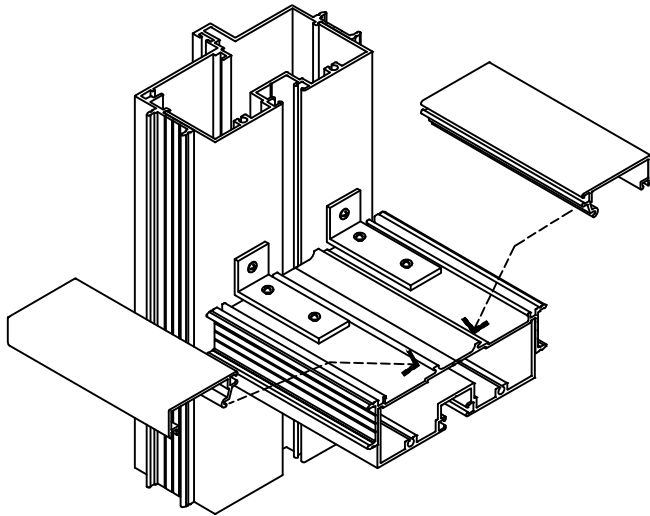
60 Bonner Street  
Stamford, CT 06902  
203.316.8033  
203.316.0019 Fax

www.wilsonpart.com

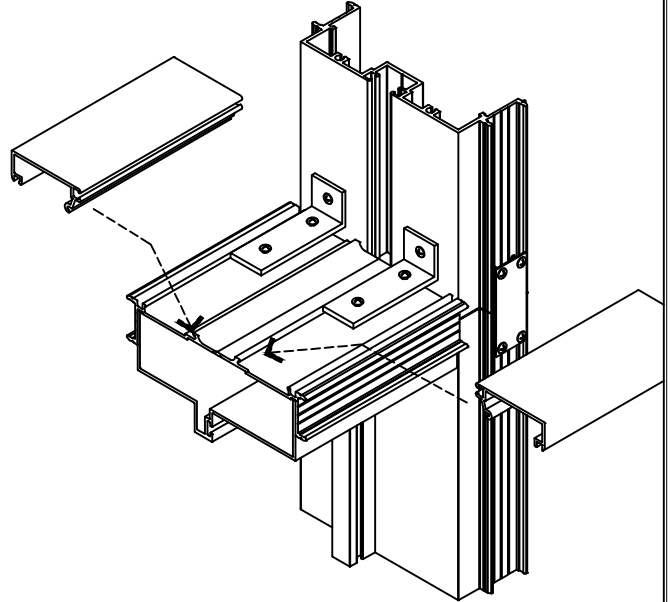
## INSTALLATION CLIPS FOR SNAP-ON TRIMS



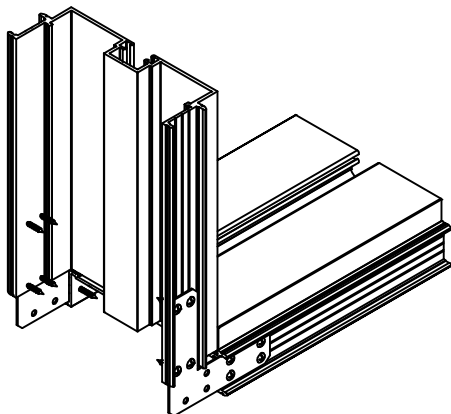
## INSTALLATION CLIPS FOR SNAP-ON TRIMS



**10A** HORIZONTAL MUNTIN TO DOOR JAMB  
SC1 CLIPS – 2 REQUIRED



**11** TRANSOM HEADER TO  
DOOR JAMB AND JAMB MULLION  
SC1 CLIPS – 2 REQUIRED  
FC1 CLIPS – 2 REQUIRED



**12** SILL TO JAMB MULLION  
CC1 CLIPS – 2 REQUIRED