



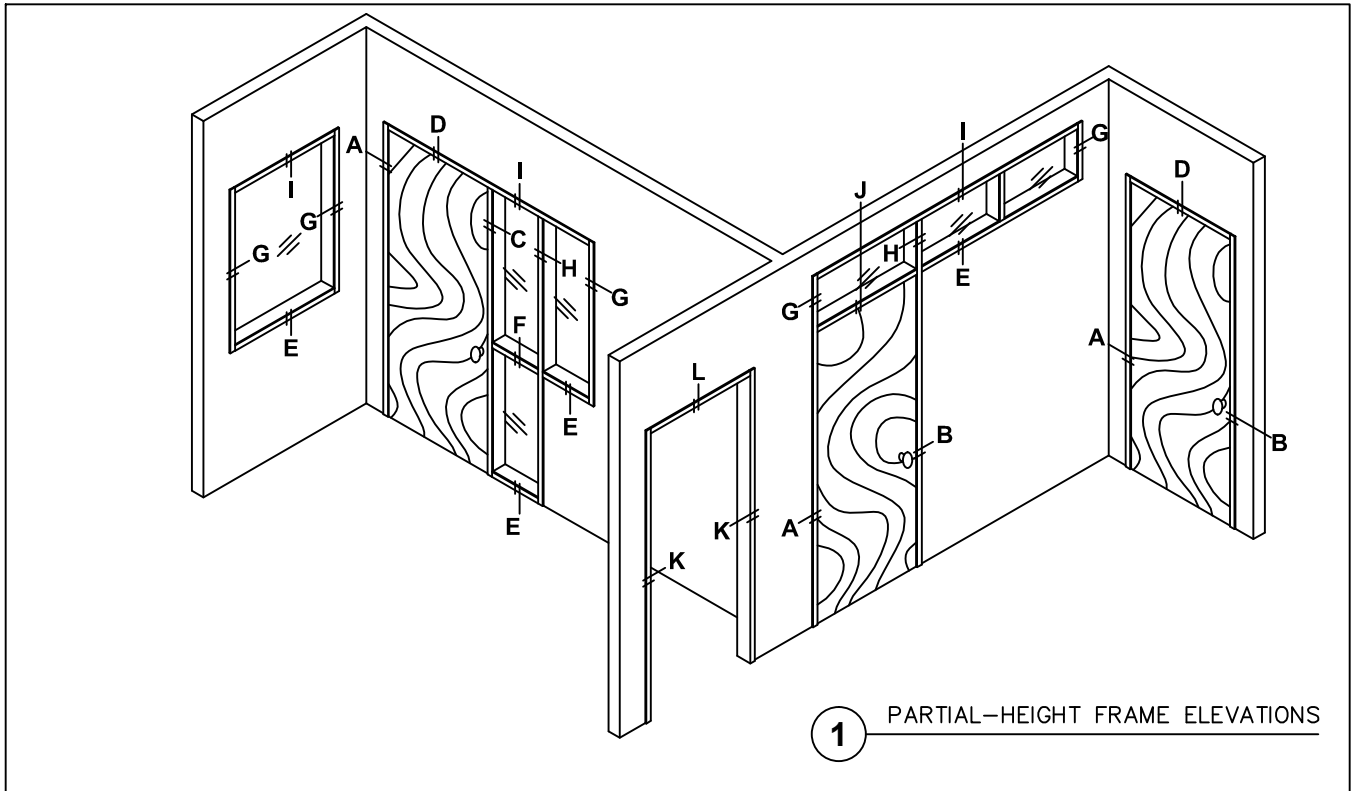
2301 E. Vernon Ave.
Vernon, CA 90058
866.443.7258
323.908.5430
323.908.5451 Fax

2221 Manana Drive
Suite 150
Dallas, TX 75220
203.316.8033
203.316.0019 Fax

60 Bonner Street
Stamford, CT 06902
203.316.8033
203.316.0019 Fax

www.wilsonpart.com

TYPICAL FRAME ELEVATIONS





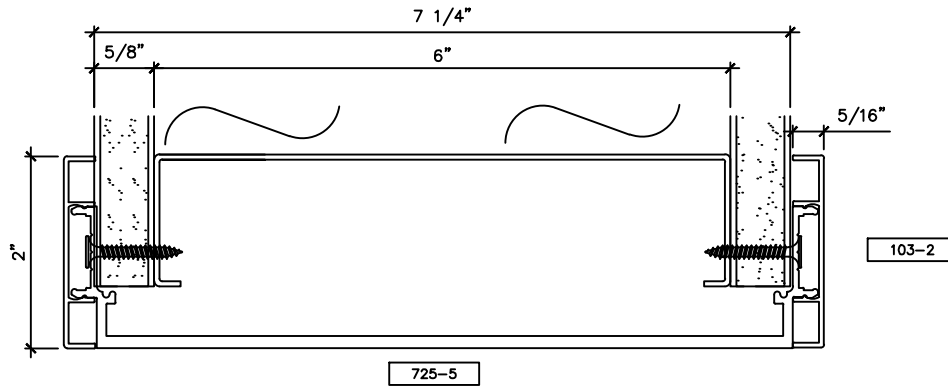
2301 E. Vernon Ave.
Vernon, CA 90058
866.443.7258
323.908.5430
323.908.5451 Fax

2221 Manana Drive
Suite 150
Dallas, TX 75220
203.316.8033
203.316.0019 Fax

60 Bonner Street
Stamford, CT 06902
203.316.8033
203.316.0019 Fax

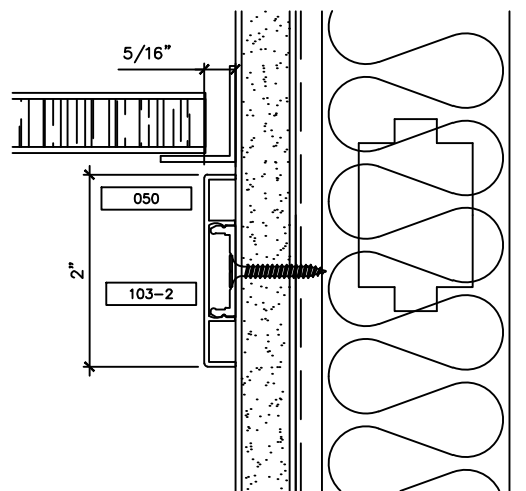
www.wilsonpart.com

SNAP ON TRIM- SERIES 725 WITH 2" TRIM FOR A 7 1/4" PARTITION



CASED OPENING HEADER

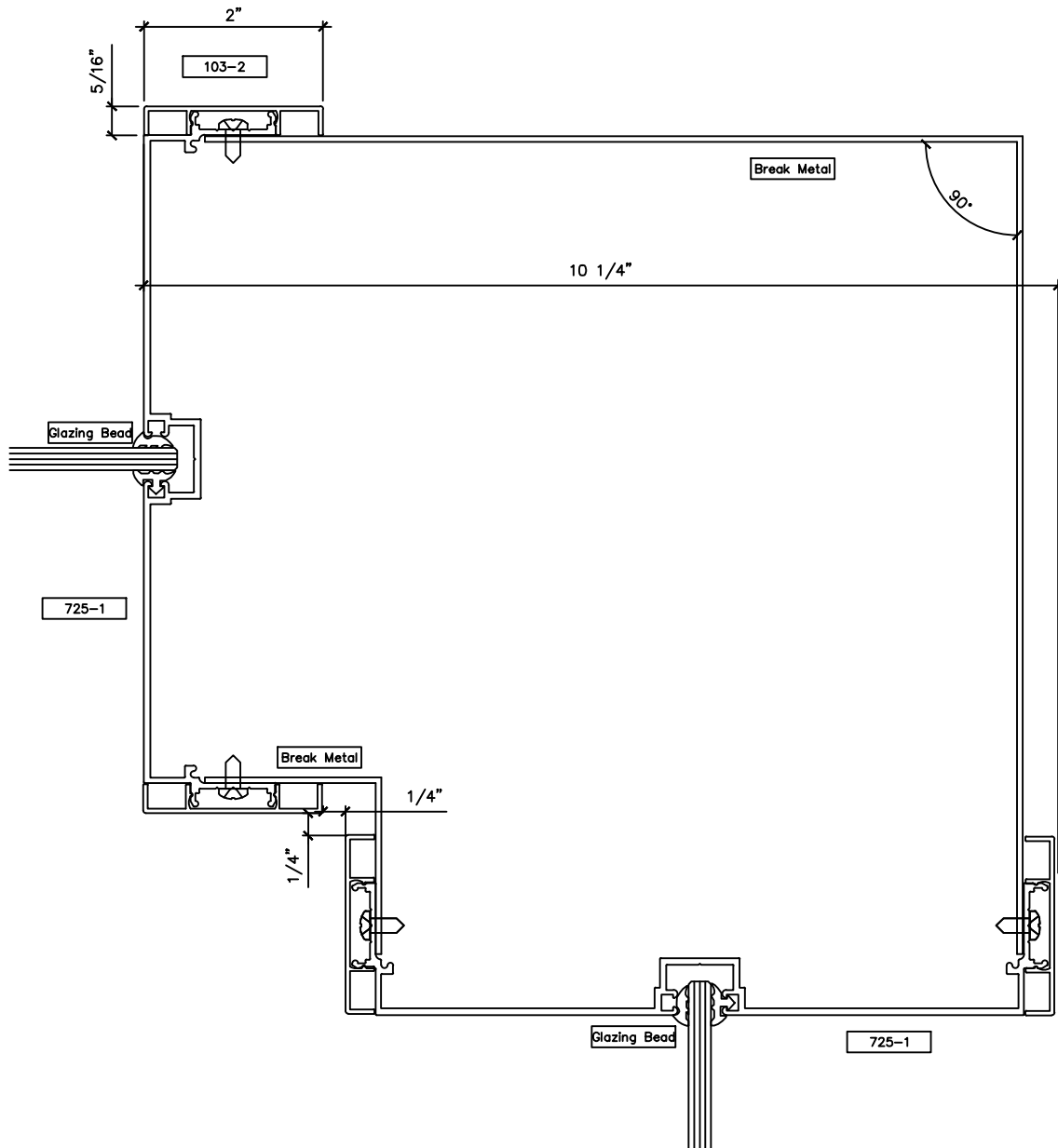
Scale: Half Dwg File: S725T200_09.dwg



APPLIED TRIM

Scale: Half Dwg File: S725T200_09.dwg

SNAP ON TRIM- SERIES 725 WITH 2" TRIM FOR A 7 1/4" PARTITION



90° CORNER POST

Scale: Half

Dwg File: S725T200_10.dwg



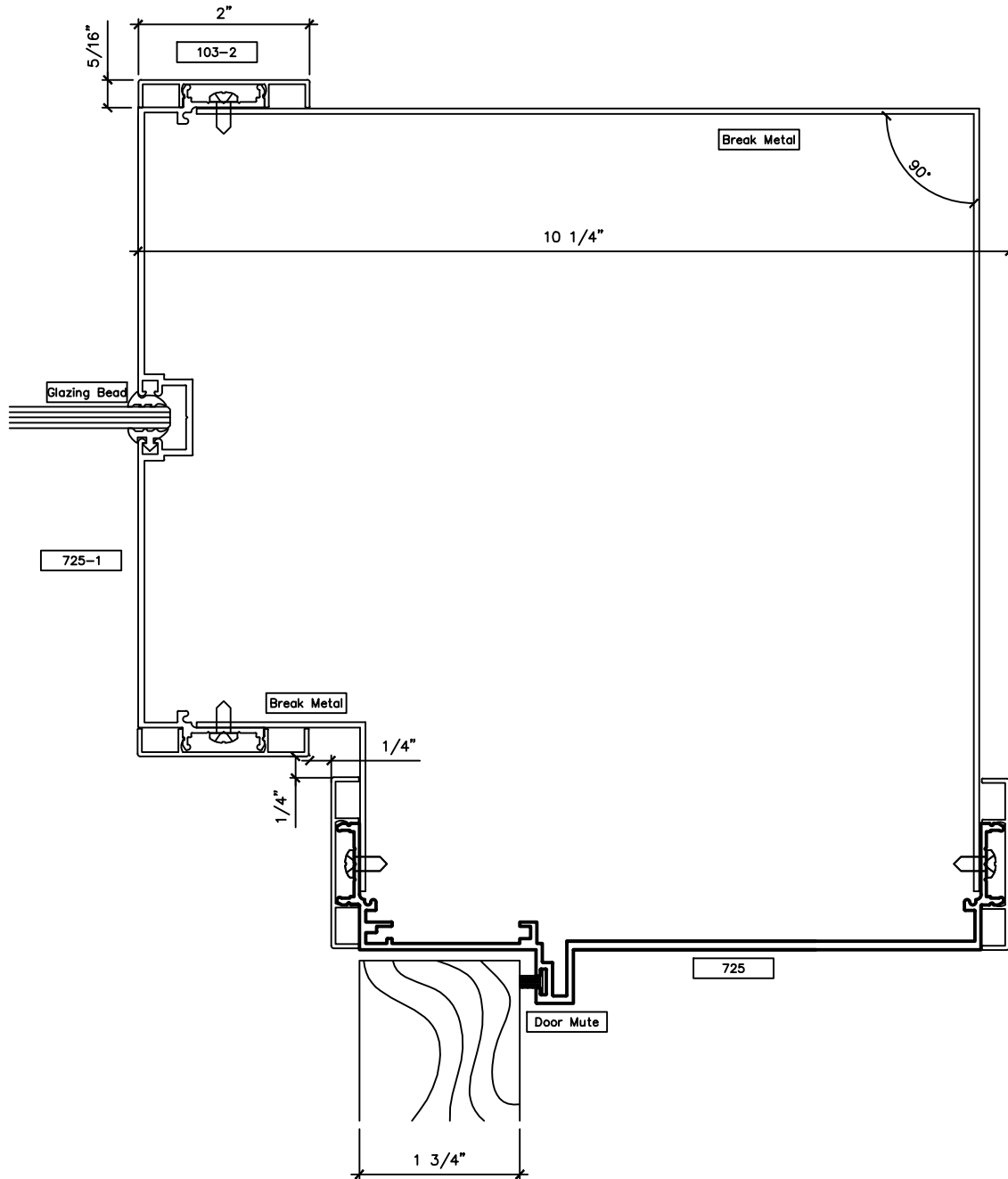
2301 E. Vernon Ave.
Vernon, CA 90058
866.443.7258
323.908.5430
323.908.5451 Fax

2221 Manana Drive
Suite 150
Dallas, TX 75220
203.316.8033
203.316.0019 Fax

60 Bonner Street
Stamford, CT 06902
203.316.8033
203.316.0019 Fax

www.wilsonpart.com

SNAP ON TRIM- SERIES 725 WITH 2" TRIM FOR A 7 1/4" PARTITION



90° CORNER POST

Scale: Half

Dwg File: S725T200_11.dwg



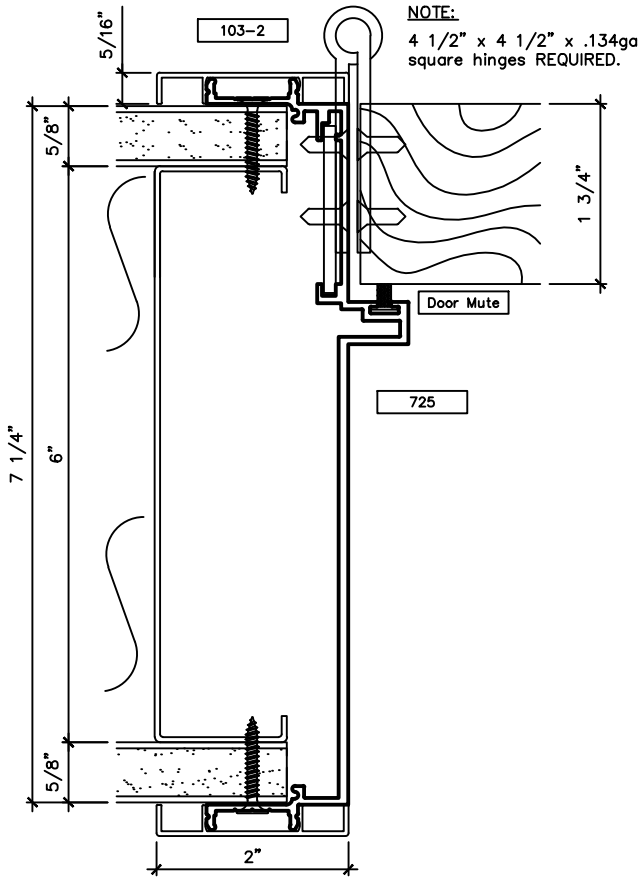
2301 E. Vernon Ave.
Vernon, CA 90058
866.443.7258
323.908.5430
323.908.5451 Fax

2221 Manana Drive
Suite 150
Dallas, TX 75220
203.316.8033
203.316.0019 Fax

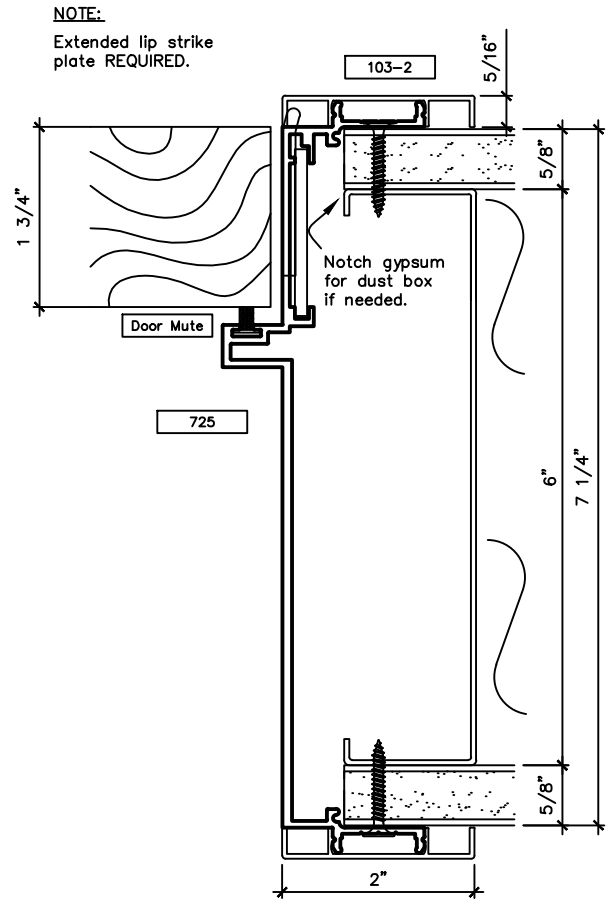
60 Bonner Street
Stamford, CT 06902
203.316.8033
203.316.0019 Fax

www.wilsonpart.com

SNAP ON TRIM- SERIES 725 WITH 2" TRIM FOR A 7 1/4" PARTITION



A HINGE JAMB
Scale: Half Dwg File: S725T200_01.dwg



B STRIKE JAMB
Scale: Half Dwg File: S725T200_01.dwg



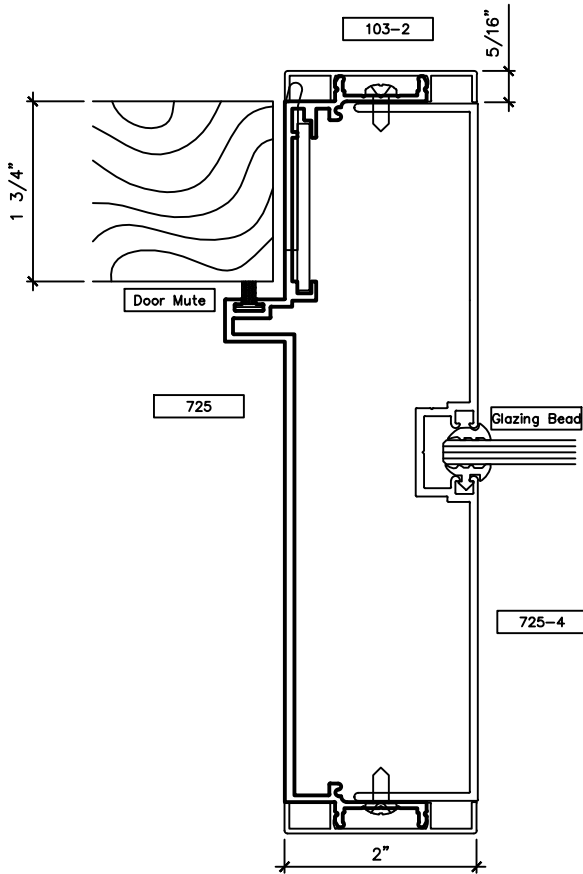
2301 E. Vernon Ave.
Vernon, CA 90058
866.443.7258
323.908.5430
323.908.5451 Fax

2221 Manana Drive
Suite 150
Dallas, TX 75220
203.316.8033
203.316.0019 Fax

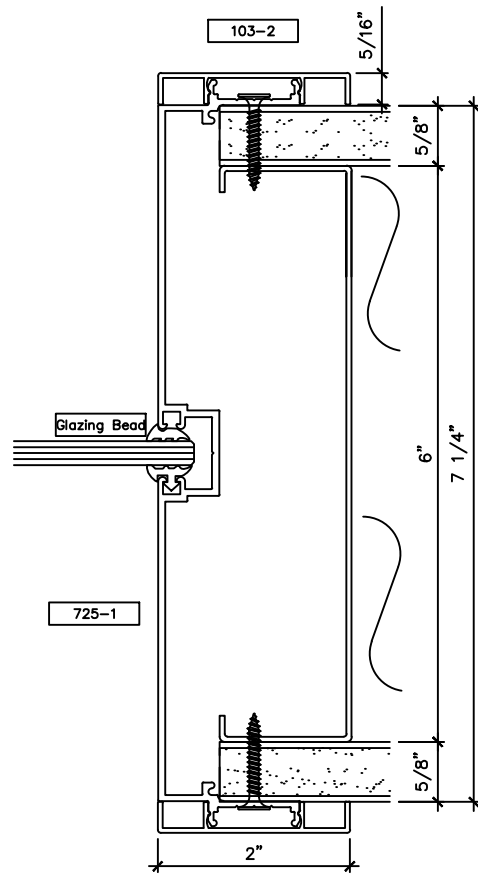
60 Bonner Street
Stamford, CT 06902
203.316.8033
203.316.0019 Fax

www.wilsonpart.com

SNAP ON TRIM- SERIES 725 WITH 2" TRIM FOR A 7 1/4" PARTITION



C STRIKE JAMB WITH SIDELITE
Scale: Half Dwg File: S725T200_02.dwg



D JAMB MULLION
Scale: Half Dwg File: S725T200_02.dwg



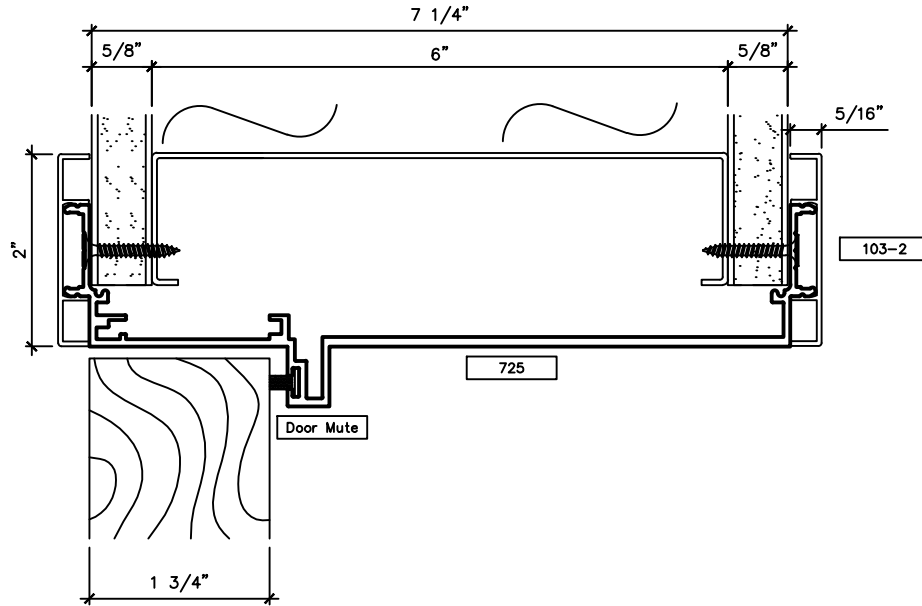
2301 E. Vernon Ave.
Vernon, CA 90058
866.443.7258
323.908.5430
323.908.5451 Fax

2221 Manana Drive
Suite 150
Dallas, TX 75220
203.316.8033
203.316.0019 Fax

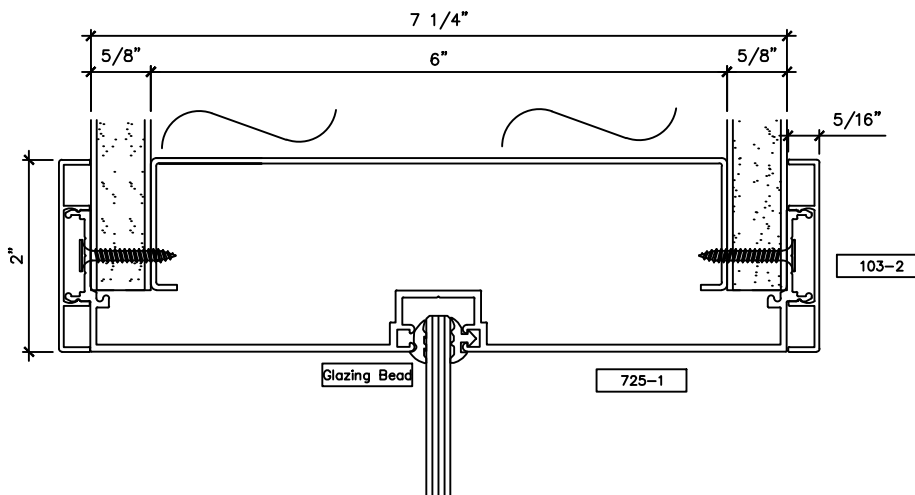
60 Bonner Street
Stamford, CT 06902
203.316.8033
203.316.0019 Fax

www.wilsonpart.com

SNAP ON TRIM- SERIES 725 WITH 2" TRIM FOR A 7 1/4" PARTITION



E DOOR HEADER
Scale: Half Dwg File: S725T200_03.dwg



F GLAZING HEADER
Scale: Half Dwg File: S725T200_03.dwg



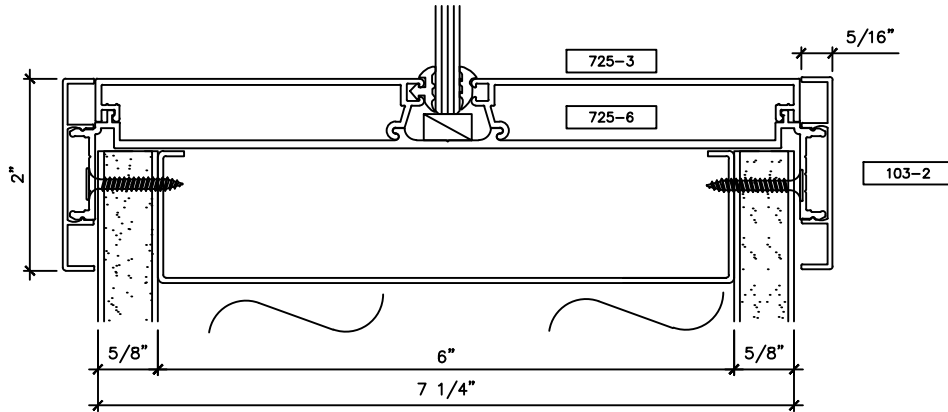
2301 E. Vernon Ave.
Vernon, CA 90058
866.443.7258
323.908.5430
323.908.5451 Fax

2221 Manana Drive
Suite 150
Dallas, TX 75220
203.316.8033
203.316.0019 Fax

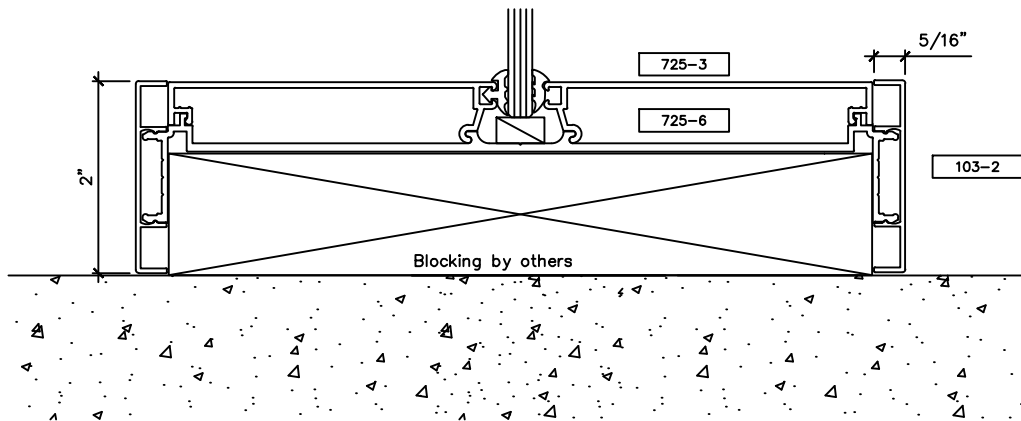
60 Bonner Street
Stamford, CT 06902
203.316.8033
203.316.0019 Fax

www.wilsonpart.com

SNAP ON TRIM- SERIES 725 WITH 2" TRIM FOR A 7 1/4" PARTITION



G SILL (PARTIAL HEIGHT)
Scale: Half Dwg File: S725T200_04.dwg



G1 SILL (FULL HEIGHT)
Scale: Half Dwg File: S725T200_04.dwg



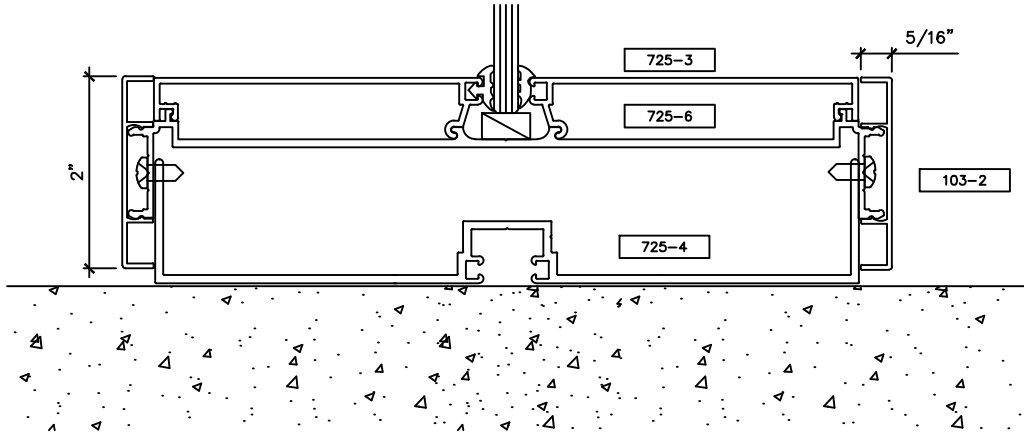
2301 E. Vernon Ave.
Vernon, CA 90058
866.443.7258
323.908.5430
323.908.5451 Fax

2221 Manana Drive
Suite 150
Dallas, TX 75220
203.316.8033
203.316.0019 Fax

60 Bonner Street
Stamford, CT 06902
203.316.8033
203.316.0019 Fax

www.wilsonpart.com

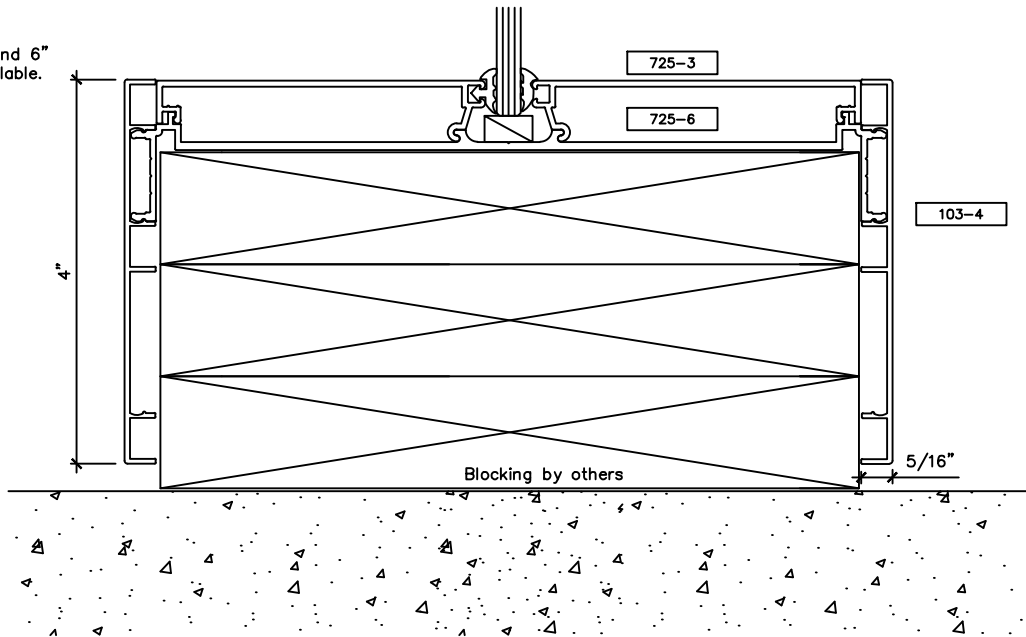
SNAP ON TRIM- SERIES 725 WITH 2" TRIM FOR A 7 1/4" PARTITION



G2 SILL (FULL HEIGHT WITH SILL STARTER)

Scale: Half Dwg File: S725T200_05.dwg

NOTE:
2", 3", and 6"
trim available.



G3 SILL (FULL HEIGHT)
WITH 4" TRIM (OPTIONAL)

Scale: Half Dwg File: S725T200_05.dwg



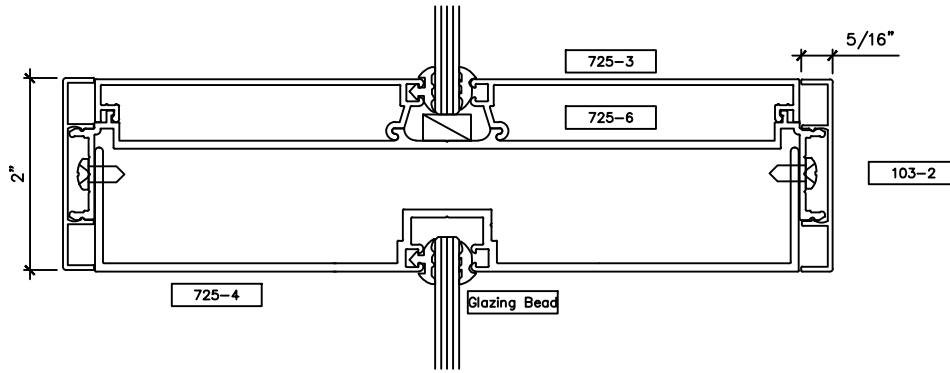
2301 E. Vernon Ave.
Vernon, CA 90058
866.443.7258
323.908.5430
323.908.5451 Fax

2221 Manana Drive
Suite 150
Dallas, TX 75220
203.316.8033
203.316.0019 Fax

60 Bonner Street
Stamford, CT 06902
203.316.8033
203.316.0019 Fax

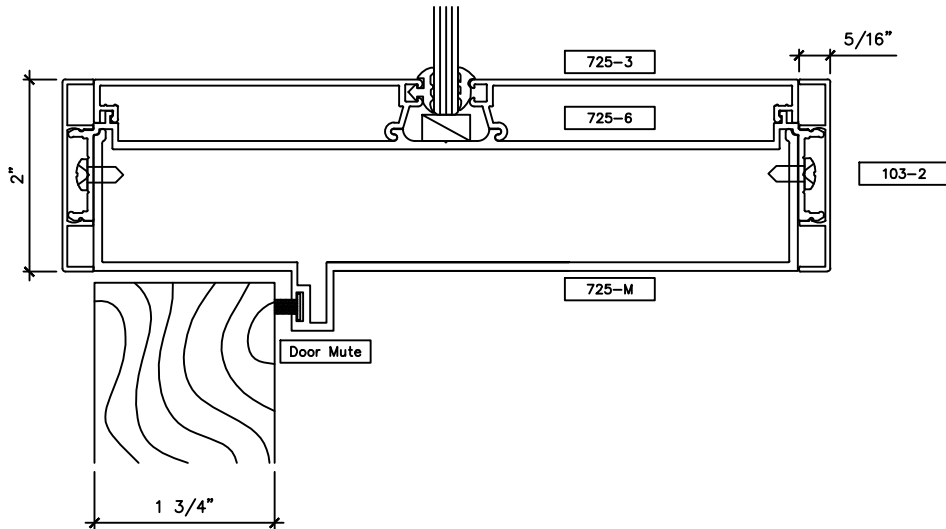
www.wilsonpart.com

SNAP ON TRIM- SERIES 725 WITH 2" TRIM FOR A 7 1/4" PARTITION



HORIZONTAL MUNTIN

Scale: Half Dwg File: S725T200_06.dwg



HEADER AT GLASS TRANSOM

Scale: Half Dwg File: S725T200_06.dwg



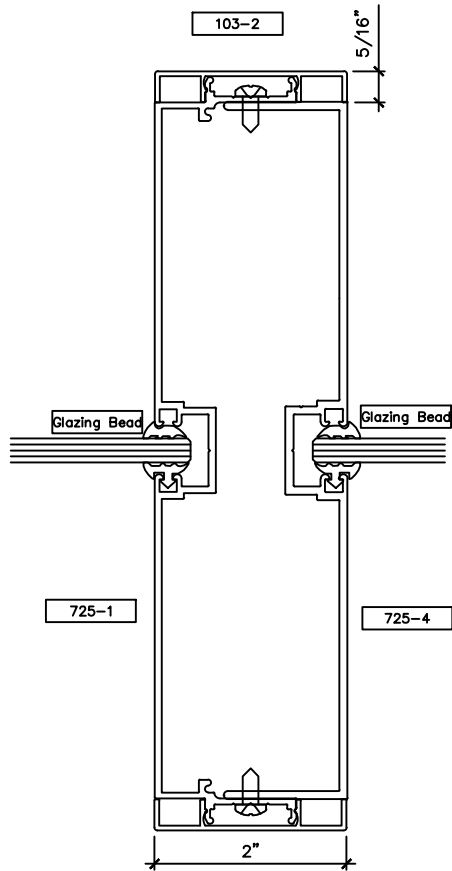
2301 E. Vernon Ave.
Vernon, CA 90058
866.443.7258
323.908.5430
323.908.5451 Fax

2221 Manana Drive
Suite 150
Dallas, TX 75220
203.316.8033
203.316.0019 Fax

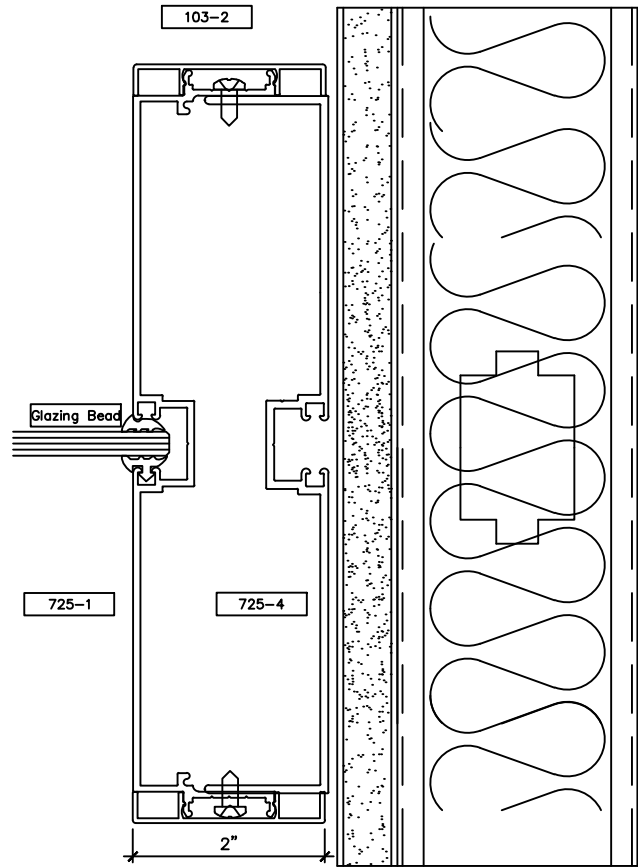
60 Bonner Street
Stamford, CT 06902
203.316.8033
203.316.0019 Fax

www.wilsonpart.com

SNAP ON TRIM- SERIES 725 WITH 2" TRIM FOR A 7 1/4" PARTITION



J INTERMEDIATE VERTICAL MULLION
Scale: Half Dwg File: S725T200_07.dwg



K JAMB MULLION WITH WALL STARTER
Scale: Half Dwg File: S725T200_07.dwg



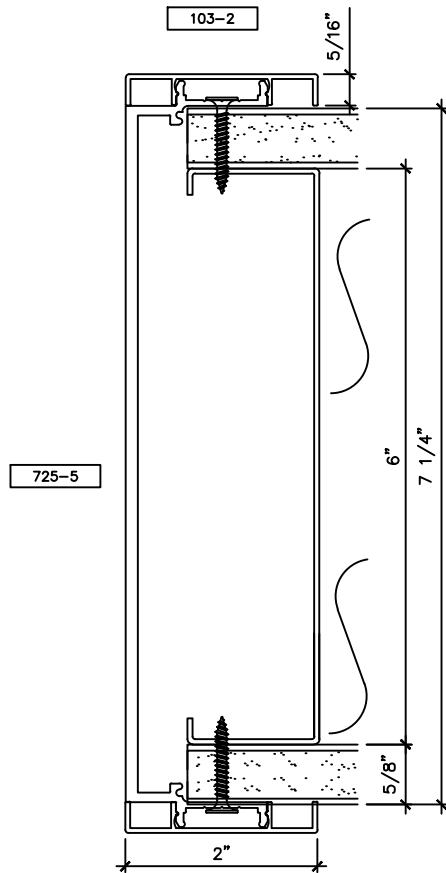
2301 E. Vernon Ave.
Vernon, CA 90058
866.443.7258
323.908.5430
323.908.5451 Fax

2221 Manana Drive
Suite 150
Dallas, TX 75220
203.316.8033
203.316.0019 Fax

60 Bonner Street
Stamford, CT 06902
203.316.8033
203.316.0019 Fax

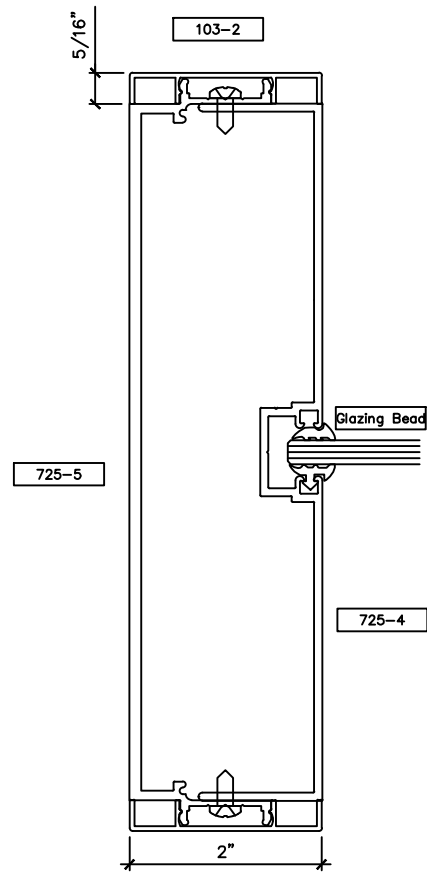
www.wilsonpart.com

SNAP ON TRIM- SERIES 725 WITH 2" TRIM FOR A 7 1/4" PARTITION



CASED OPENING HEADER

Scale: Half Dwg File: S725T200_08.dwg



CASED OPENING JAMB
WITH SIDELITE

Scale: Half Dwg File: S725T200_08.dwg